

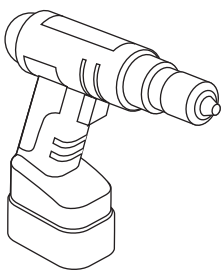
Bathroom Cabinets Mounting Instructions / Ingarö, Ensiö, Samsö

Before you begin

Please read these instructions carefully before you start assembling your new bathroom furniture:

- Our bathroom cabinets are easy to assemble, but you need to have basic skills in using tools such as an electric screwdriver and clamps. You also need to hire an authorized plumber for the plumbing work.
- Make sure you have assembled the IKEA METOD cabinet frames correctly, according to IKEA's instructions.
- Do check carefully that the cabinet frames are straight to ensure a beautiful result.
- Assemble the cabinets on a smooth and even surface, preferably on a thin carpet. We also recommend having a friend to help you to minimize the risk of damaging any of the parts.

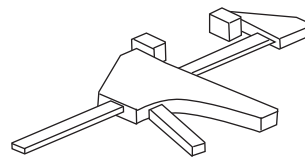
Tools needed



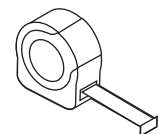
Electric screwdriver



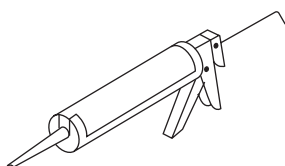
Bits (T20)



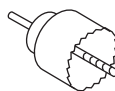
2 x Clamps



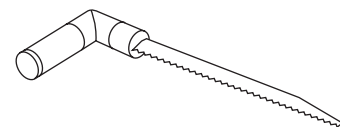
Tape measure



Silicone gun



Hole saw (35-40 mm & 85-95 mm)



Saw

Sideboard styles

Our assembly instructions are style specific, not model specific. All the models, INGARÖ, ENSIÖ, and SAMSÖ come in three frame styles shown on the following pages. Each style has specific mounting instructions. You will find the style of your bathroom cabinet from the order confirmation.

Disclaimer

Suggestions in these mounting instructions are provided for informational purposes only. A.S.Helsingö does not guarantee the efficacy of the instructions, as unforeseen variables, such as the existing wall, ceiling and flooring conditions, and alternative designs, may render these suggestions moot. Equally, A.S.Helsingö does not guarantee that this information is up to date. For questions concerning IKEA products, specifications, or utilizations, please refer to IKEA's manuals and instructions.

This manual assumes that the bathroom furniture is purchased as a whole from A.S.Helsingö (incl. a tap, sink, and worktop). If you have purchased a tap, sink, and worktop from another brand, please follow the product-specific mounting instructions received with those products.

An authorized specialist should perform the plumbing work.

General Safety Guidelines

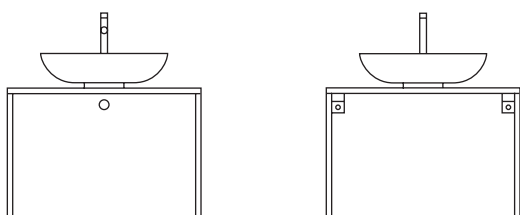
- Read all IKEA's and A.S.Helsingö's assembly instructions carefully before beginning the installation. Failure to follow the instructions may result in property damage, bodily injury, or loss of life.
- Read all safety instructions carefully for the tools that you use in the installation.
- Be aware of water and power lines when drilling into walls.
- Secure the bathroom cabinet to the wall, regardless of whether you have legs on the furniture or not. If you are uncertain about the ability of the wall to support heavy weights, we recommend that you add legs to your cabinet.
- Lift all items carefully, especially heavy parts.
- Keep children away.

Style: Plain

Contents

| | | | |
|--------------------|-------|-------|--------|
| Width | 60 cm | 80 cm | 120 cm |
| Screws (4 x 30 mm) | 8 | 8 | 14 |
| Fronts | 1 | 1 | 2 |
| Side panels | 2 | 2 | 2 |
| Stone top * | 1 | 1 | 1 |
| Tap * | 1 | 1 | 1 |
| Sink * | 1 | 1 | 1 |

How it will look



Front view

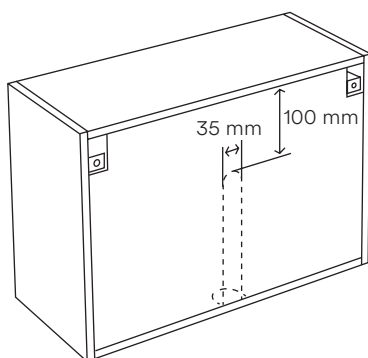
Back view

Please note that the design varies slightly depending on the selected model and the size of your sideboard.

* if purchased from A.S.Helsingö

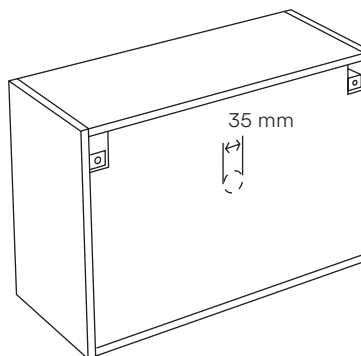
Safety

Please always follow the safety instructions that apply to your IKEA products, especially when securing the cabinet to the wall. It's essential as the weight distribution changes when the doors are open. Use the anchor brackets provided with the IKEA cabinets.



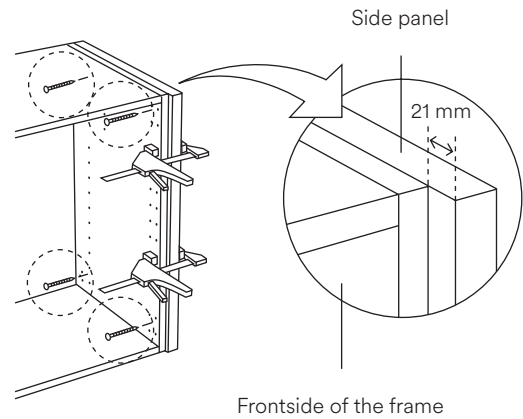
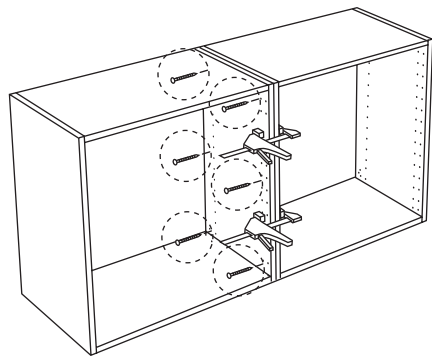
1 A. (if the drainpipe comes out of the floor)

Drill a 35 mm hole in the back of the cabinet frame, 100 mm down from the top of the cabinet and as straight above as possible where the drainpipe will be connected. Use a saw to remove the piece marked with the dotted line. Drill a 35 mm hole in the bottom of the cabinet as close to the backside as possible.



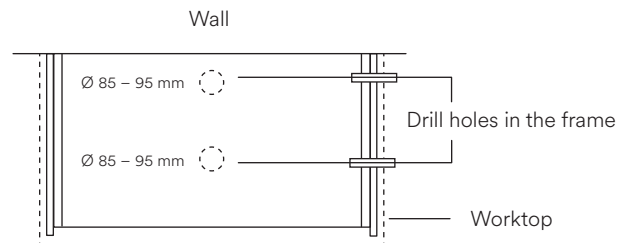
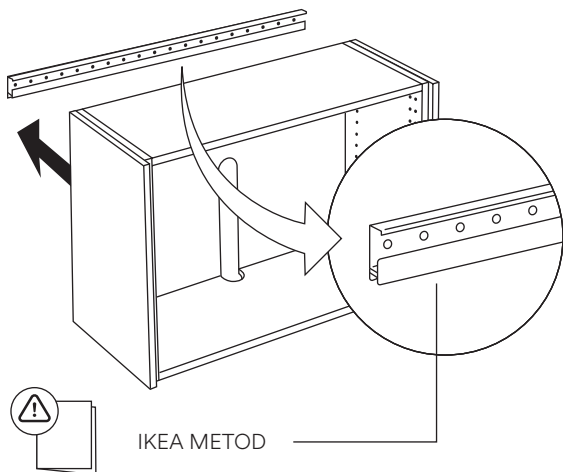
1 B. (if the drainpipe comes out of the wall)

Drill a 35 mm hole in the back of the cabinet where the pipe connection comes out of the wall.

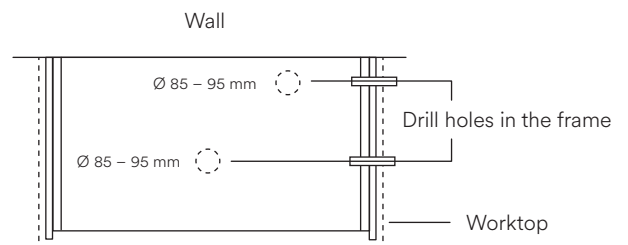


2. Attach the IKEA cabinet frames using six screws.
This phase only applies to the 120 cm wide cabinets that consist of two 60 cm wide frames.

3. Install the side panels. They should stand out of the front of the cabinet frame by 21 mm.



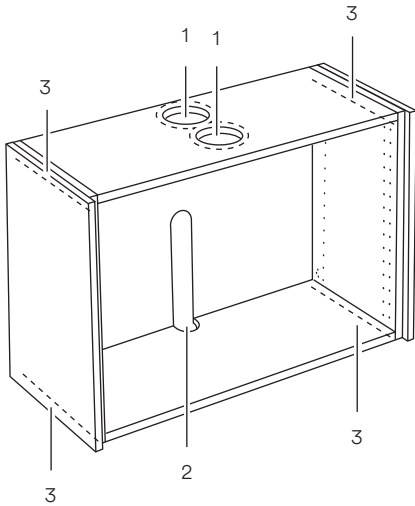
LAGOON sink / BIRILLO tap



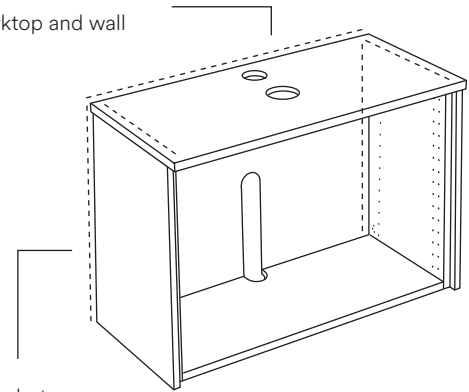
LAKE sink / EVO tap

4. Fasten the suspension rail to the wall following IKEA's instructions. Once it's in place, hang the cabinet on the rail.

5. Drill the holes in the frame for tap and sink. Place the worktop on top of the cabinet exactly where it should sit, firmly against the wall, and centered sideways on the cabinet. Mark the position for the two holes and remove the worktop. Mark the center of the holes and drill. The hole for the sink should be min 85 mm and max 95 mm in diameter, i.e., bigger than the hole in the worktop.



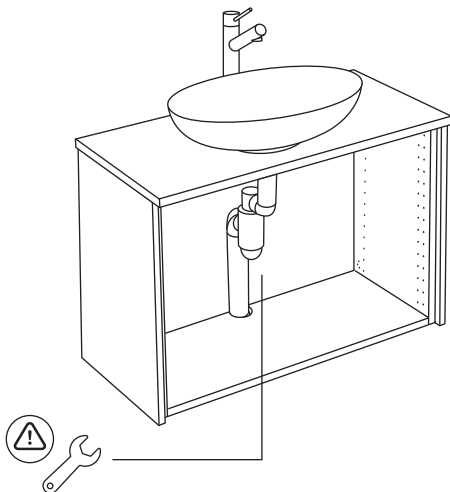
Silicone between
the worktop and wall



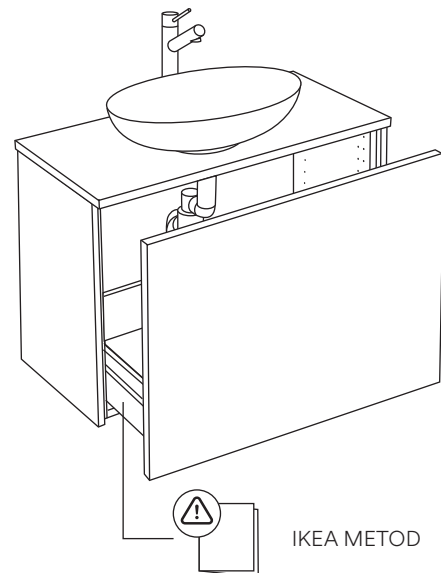
Silicone between
side panel and wall

6. Seal with silicone. Do this carefully to ensure the durability of your cabinet. 1. Seal the drill holes with silicone. Make sure to seal the entire surface on the inside of the holes adequately. 2. If you made a hole in the bottom of the frame, seal it also carefully with silicone. 3. Seal the joints between the cabinet frame and the side panels.

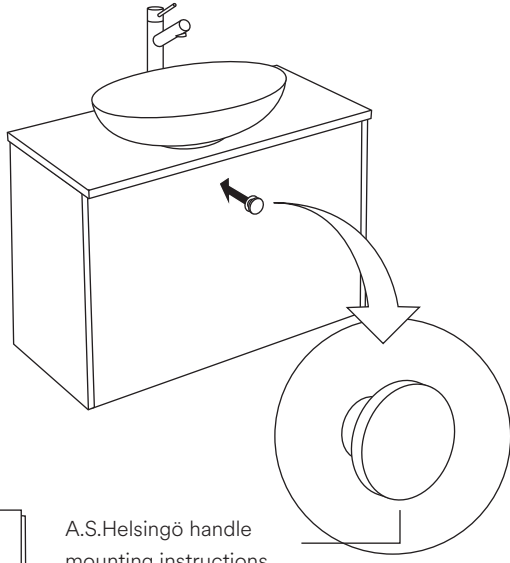
7. Install the worktop. Before mounting, seal the joints between the side panels and worktop with silicone as well as around the drill holes. Place the worktop in position and press firmly. Use silicon to seal the joint between the worktop and the wall, and between the side panels and the wall.



8. Let your plumber take care of this step. Now it's time for the plumbing work and your plumber to install your tap and sink.



9. Attach the front to the drawer. Then install the drawer in the cabinet according to IKEA's instructions.



A.S.Helsingö handle
mounting instructions

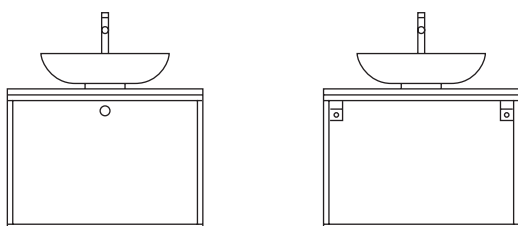
10. Install the handles or push-open handles on the cabinet following the mounting instructions provided with the handles.

Style: Frame

Contents

| | | | |
|--------------------|-------|-------|--------|
| Width | 60 cm | 80 cm | 120 cm |
| Screws (4 x 30 mm) | 16 | 16 | 30 |
| Fronts | 1 | 1 | 2 |
| Side panels | 2 | 2 | 2 |
| Top panels | 1 | 1 | 1 |
| Bottom panels | 1 | 1 | 1 |
| Stone top * | 1 | 1 | 1 |
| Tap * | 1 | 1 | 1 |
| Sink * | 1 | 1 | 1 |

How it will look



Front view

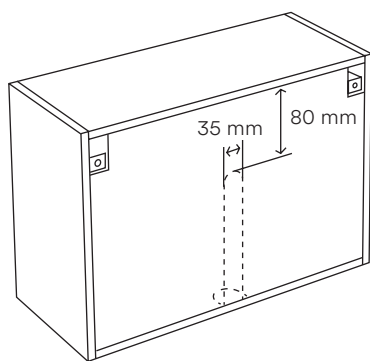
Back view

Please note that the design varies slightly depending on the selected model and the size of your cabinet.

* if purchased from A.S.Helsingö

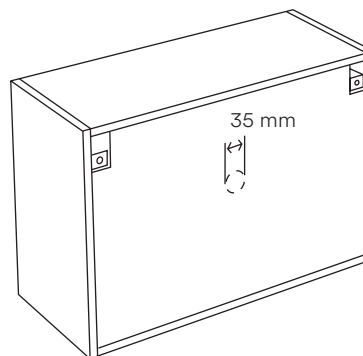
Safety

Please always follow the safety instructions that apply to your IKEA products, especially when securing the cabinet to the wall. It's essential as the weight distribution changes when the doors are open. Use the anchor brackets provided with the IKEA cabinets.



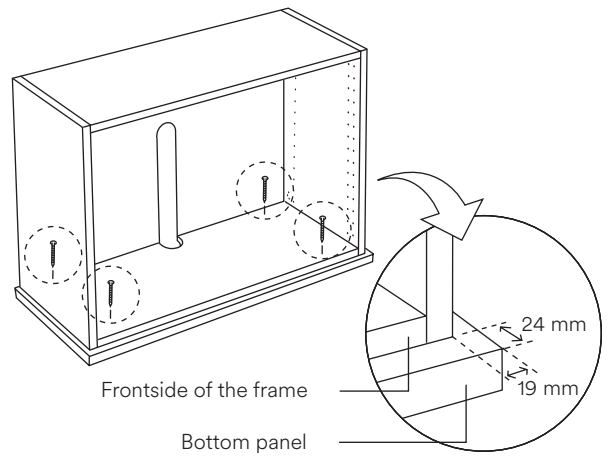
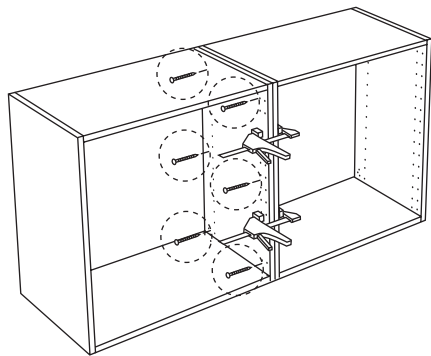
1 A. (if the drainpipe comes out of the floor)

Drill a 35 mm hole in the back of the cabinet frame, 80 mm down from the top of the cabinet and as straight above as possible where the drainpipe will be connected. Use a saw to remove the piece marked with the dotted line. Drill a 35 mm hole in the bottom of the cabinet as close to the backside as possible.



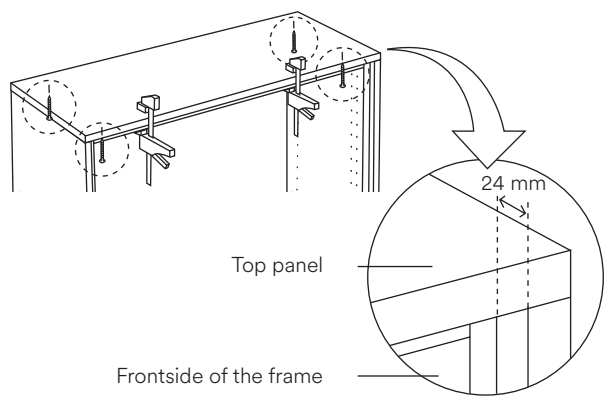
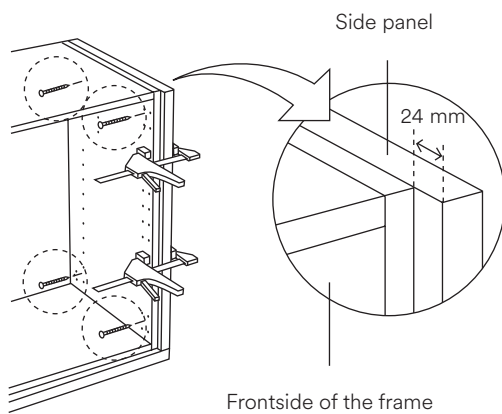
1 B. (if the drainpipe comes out of the wall)

Drill a 35 mm hole in the back of the cabinet where the pipe connection comes out of the wall.



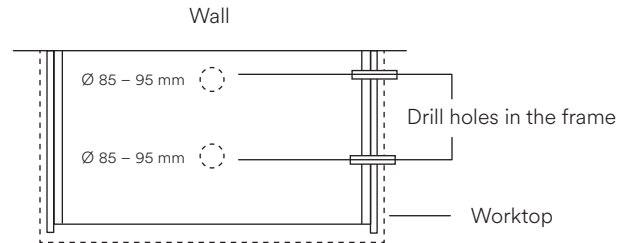
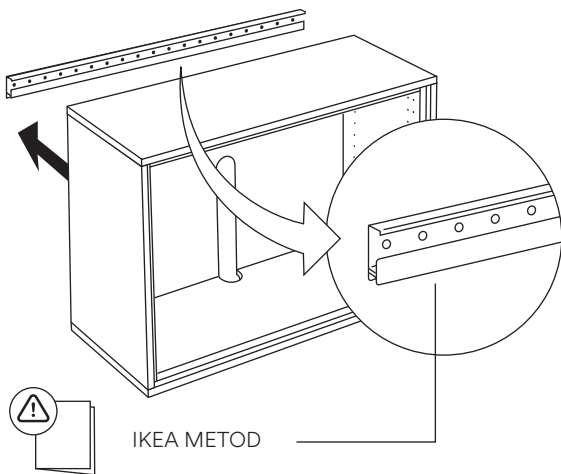
2. Attach the IKEA cabinet frames using six screws. This phase only applies to the 120 cm wide cabinets that consist of two 60 cm wide frames.

3. Install the bottom panel. It should stand out of the front of the cabinet frame by 24 mm. Before mounting, make sure you have drilled a 35 mm hole also to the bottom panel, as drilled to the frame in step 1 A.

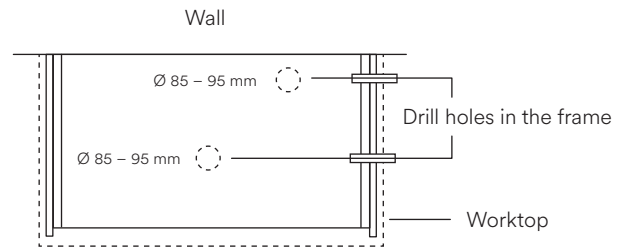


4. Install the side panels. They should stand out of the front of the cabinet frame by 24 mm.

5. Install the top panel. It should stand out of the front of the cabinet frame by 24 mm.



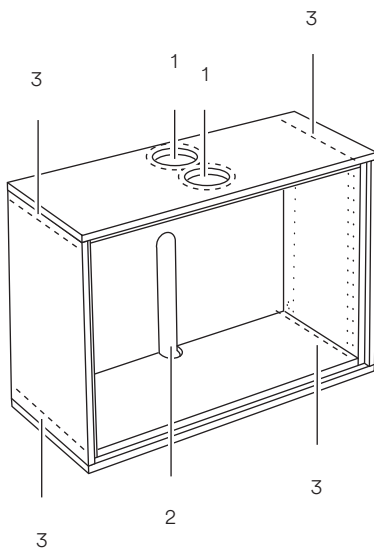
LAGOON sink / BIRILLO tap



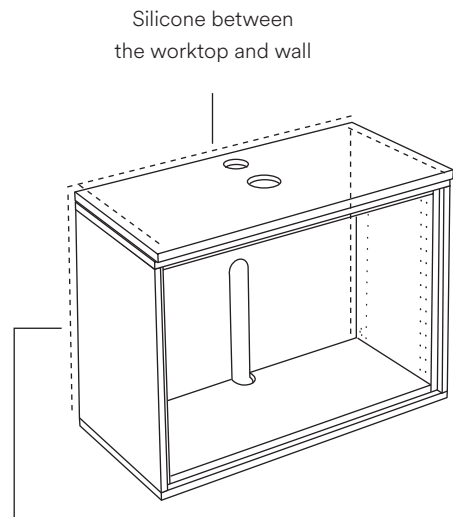
LAKE sink / EVO tap

6. Fasten the suspension rail to the wall following IKEA's instructions. Once it's in place, hang the cabinet on the rail.

7. Drill the holes in the frame for tap and sink. Place the worktop on top of the cabinet exactly where it should sit, firmly against the wall, and centered sideways on the cabinet. Mark the position for the two holes and remove the worktop. Mark the center of the holes and drill. The hole for the sink should be min 85 mm and max 95 mm in diameter, i.e., bigger than the hole in the worktop.

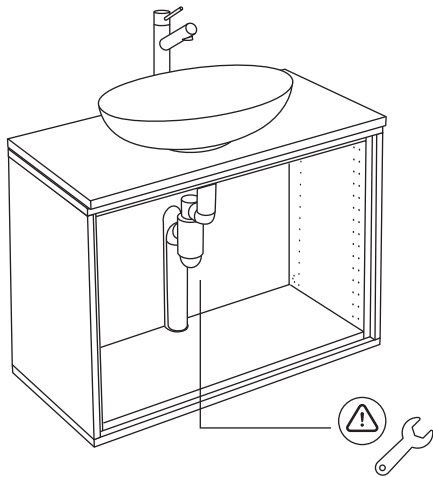


8. Seal with silicone. Do this carefully to ensure the durability of your cabinet. 1. Seal the drill holes with silicone. Make sure to seal the entire surface on the inside of the holes adequately. 2. If you made a hole in the bottom of the frame, seal it also carefully with silicone. 3. Seal the joints between the cabinet frame and the side panels.

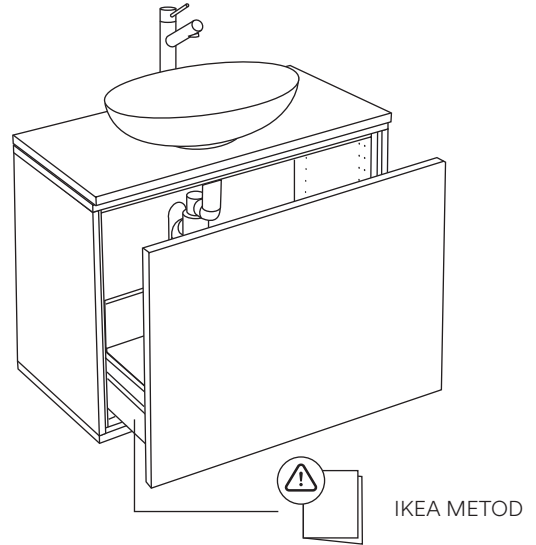


Silicone between side panel and wall

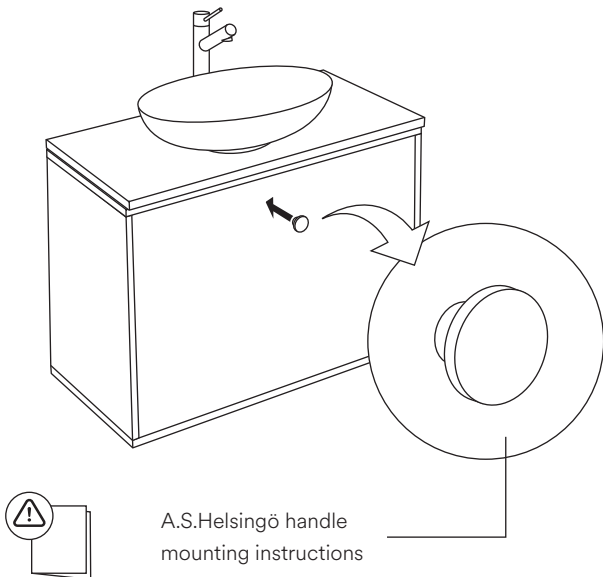
9. Install the worktop. Before mounting, seal the joints between the side panels and worktop with silicone as well as around the drill holes. Place the worktop in position and press firmly. Use silicon to seal the joint between the worktop and the wall, and between the side panels and the wall.



10. Let your plumber take care of this step. Now it's time for the plumbing work and your plumber to install your tap and sink.



11. Attach the front to the drawer. Then install the drawer in the cabinet according to IKEA's instructions.



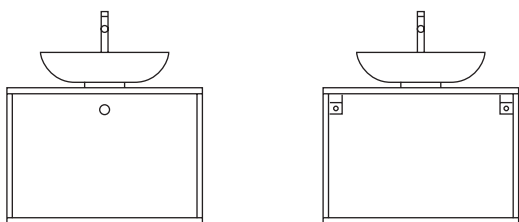
12. Install the handles or push-open handles on the cabinet following the mounting instructions provided with the handles.

Style: Spacer Panel

Contents

| | 60 cm | 80 cm | 120 cm |
|--------------------|-------|-------|--------|
| Width | 60 cm | 80 cm | 120 cm |
| Screws (4 x 30 mm) | 12 | 12 | 16 |
| Screws (4 x 50 mm) | 0 | 0 | 6 |
| Fronts | 1 | 1 | 2 |
| Side panels | 2 | 2 | 2 |
| Bottom panels | 1 | 1 | 1 |
| Spacer panels | 0 | 0 | 1 |
| Stone top * | 1 | 1 | 1 |
| Tap * | 1 | 1 | 1 |
| Sink * | 1 | 1 | 1 |

How it will look



Front view

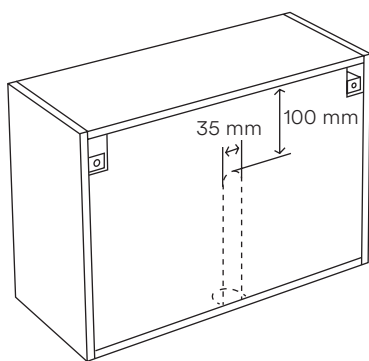
Back view

Please note that the design varies slightly depending on the selected model and the size of your cabinet.

* if purchased from A.S.Helsingö

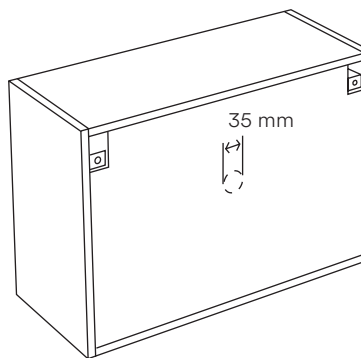
Safety

Please always follow the safety instructions that apply to your IKEA products, especially when securing the cabinet to the wall. It's essential as the weight distribution changes when the doors are open. Use the anchor brackets provided with the IKEA cabinets.



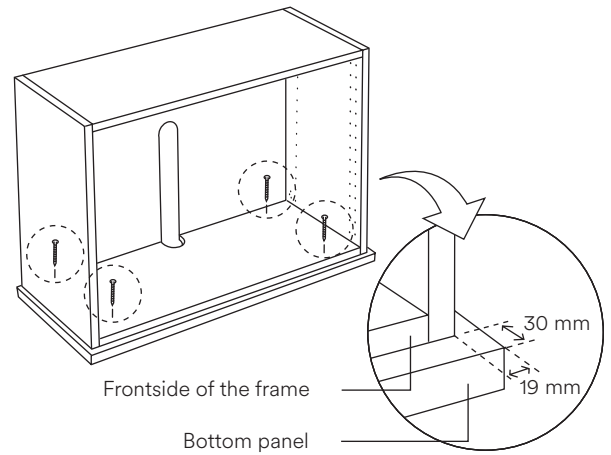
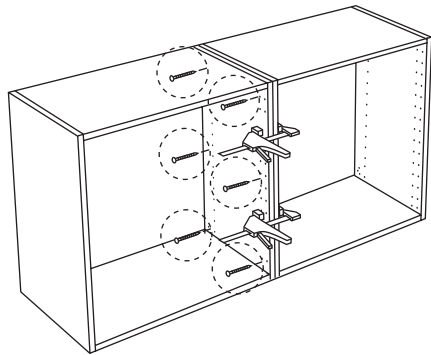
1 A. (if the drainpipe comes out of the floor)

Drill a 35 mm hole in the back of the cabinet frame, 100 mm down from the top of the cabinet and as straight above as possible where the drainpipe will be connected. Use a saw to remove the piece marked with the dotted line. Drill a 35 mm hole in the bottom of the cabinet as close to the backside as possible.



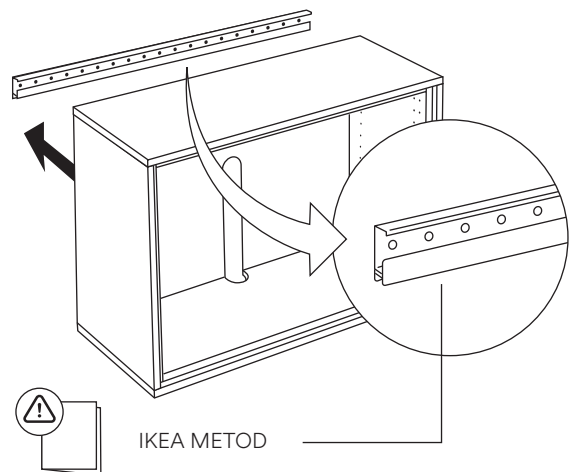
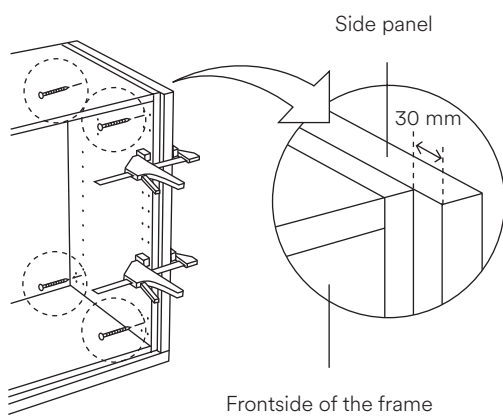
1 B. (if the drainpipe comes out of the wall)

Drill a 35 mm hole in the back of the cabinet where the pipe connection comes out of the wall.



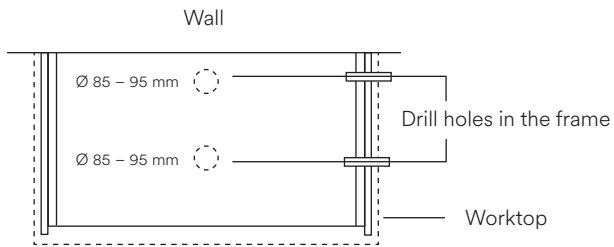
2. Attach the IKEA cabinet frames using six screws. This phase only applies to the 120 cm wide cabinets that consist of two 60 cm wide frames.

3. Install the bottom panel. It should stand out of the front of the cabinet frame by 30 mm. Before mounting, make sure you have drilled a 35 mm hole also to the bottom panel, as drilled to the frame in step 1 A.

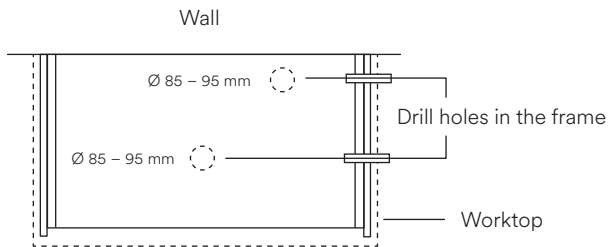


4. Install the side panels. They should stand out of the front of the cabinet frame by 30 mm.

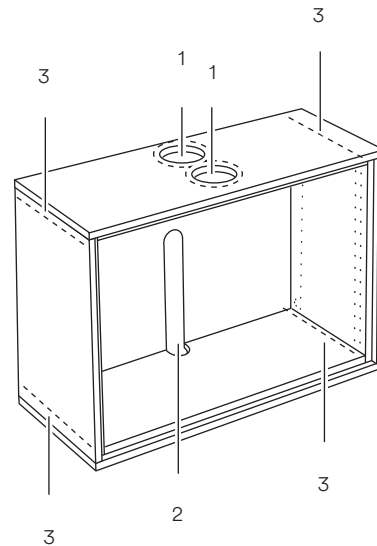
5. Fasten the suspension rail to the wall following IKEA's instructions. Once it's in place, hang the cabinet on the rail.



LAGOON sink / BIRILLO tap

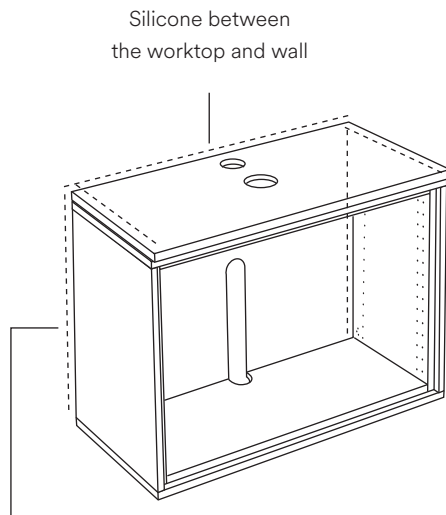


LAKE sink / EVO tap

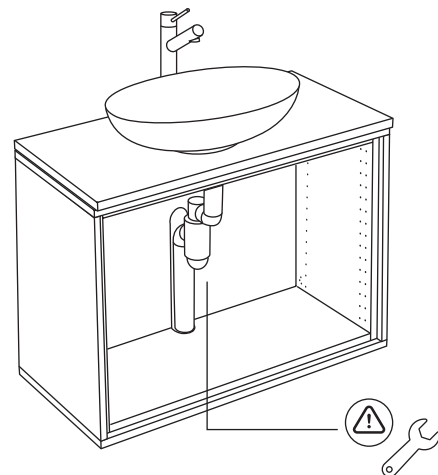


6. Drill the holes in the frame for tap and sink. Place the worktop on top of the cabinet exactly where it should sit, firmly against the wall, and centered sideways on the cabinet. Mark the position for the two holes and remove the worktop. Mark the center of the holes and drill. The hole for the sink should be min 85 mm and max 95 mm in diameter, i.e., bigger than the hole in the worktop.

7. Seal with silicone. Do this carefully to ensure the durability of your cabinet. 1. Seal the drill holes with silicone. Make sure to seal the entire surface on the inside of the holes adequately. 2. If you made a hole in the bottom of the frame, seal it also carefully with silicone. 3. Seal the joints between the cabinet frame and the side panels.

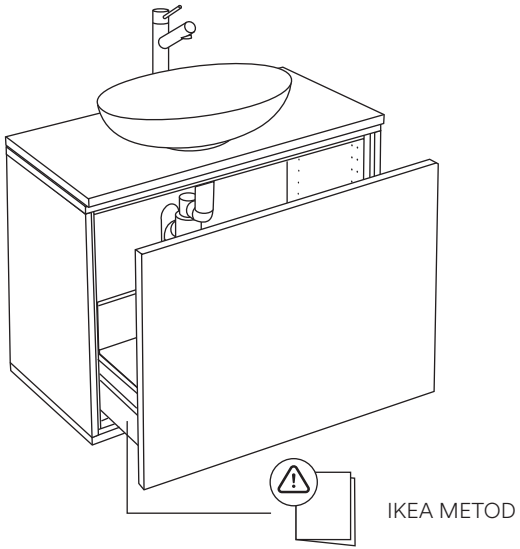


Silicone between side panel and wall

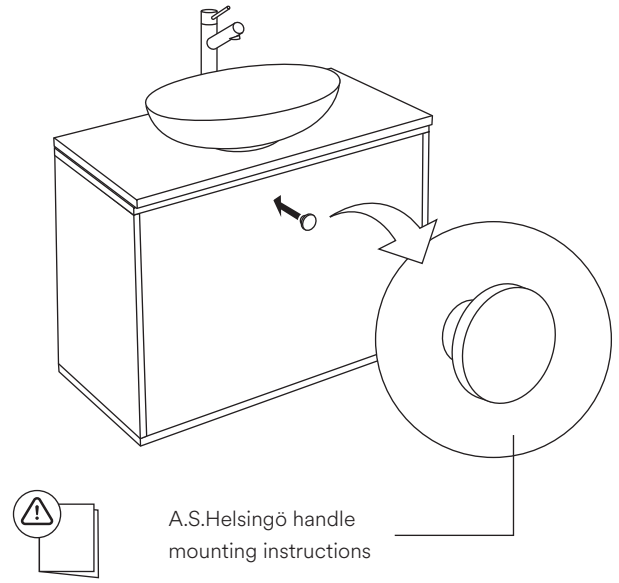


8. Install the worktop. Before mounting, seal the joints between the side panels and worktop with silicone as well as around the drill holes. Place the worktop in position and press firmly. Use silicon to seal the joint between the worktop and the wall, and between the side panels and the wall.

9. Let your plumber take care of this step. Now it's time for the plumbing work and your plumber to install your tap and sink.



10. Attach the front to the drawer. Then install the drawer in the cabinet according to IKEA's instructions.



11. Install the handles or push-open handles on the cabinet following the mounting instructions provided with the handles.

We are happy to help! Email or call us for further assistance:

info@helsingo.com +358 20 718 1510