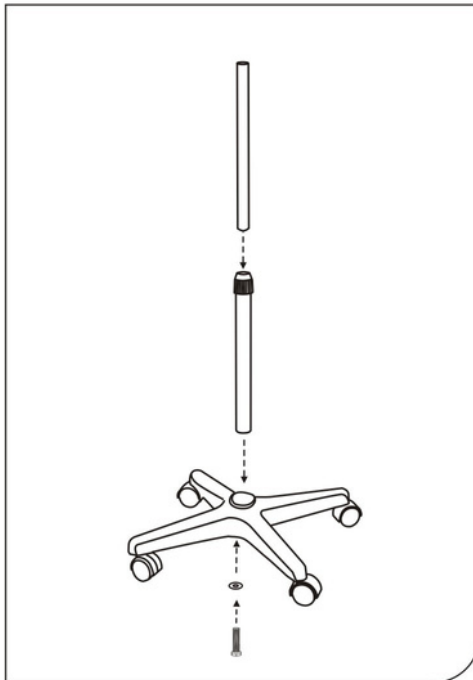
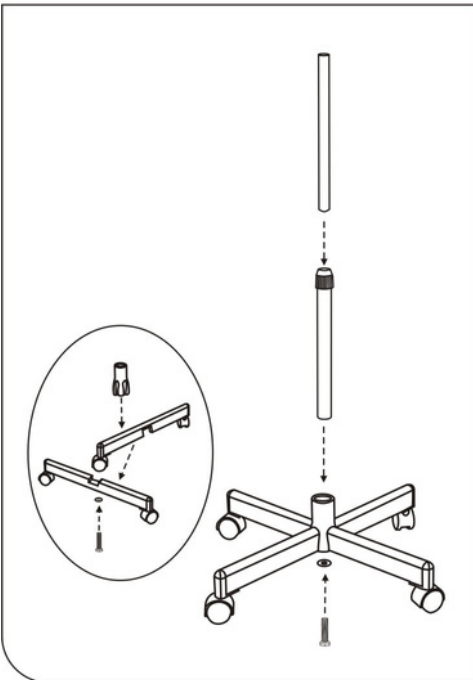
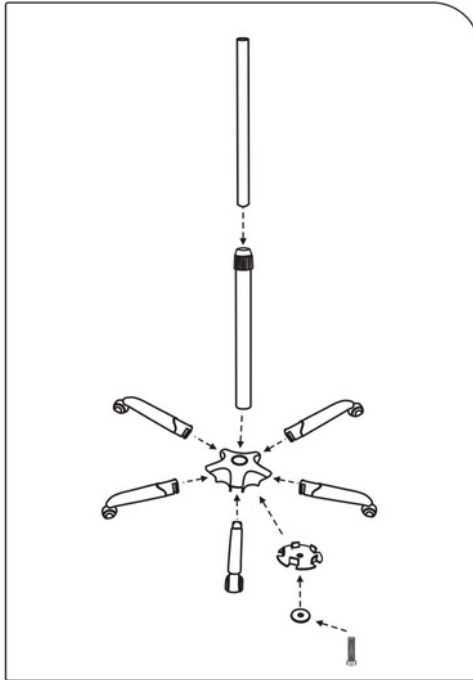
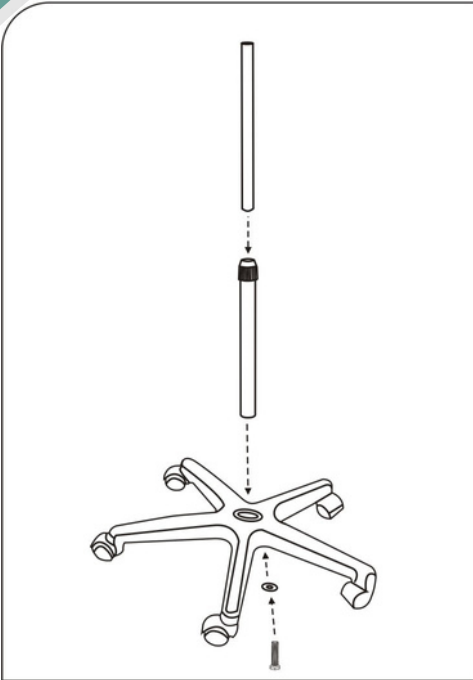
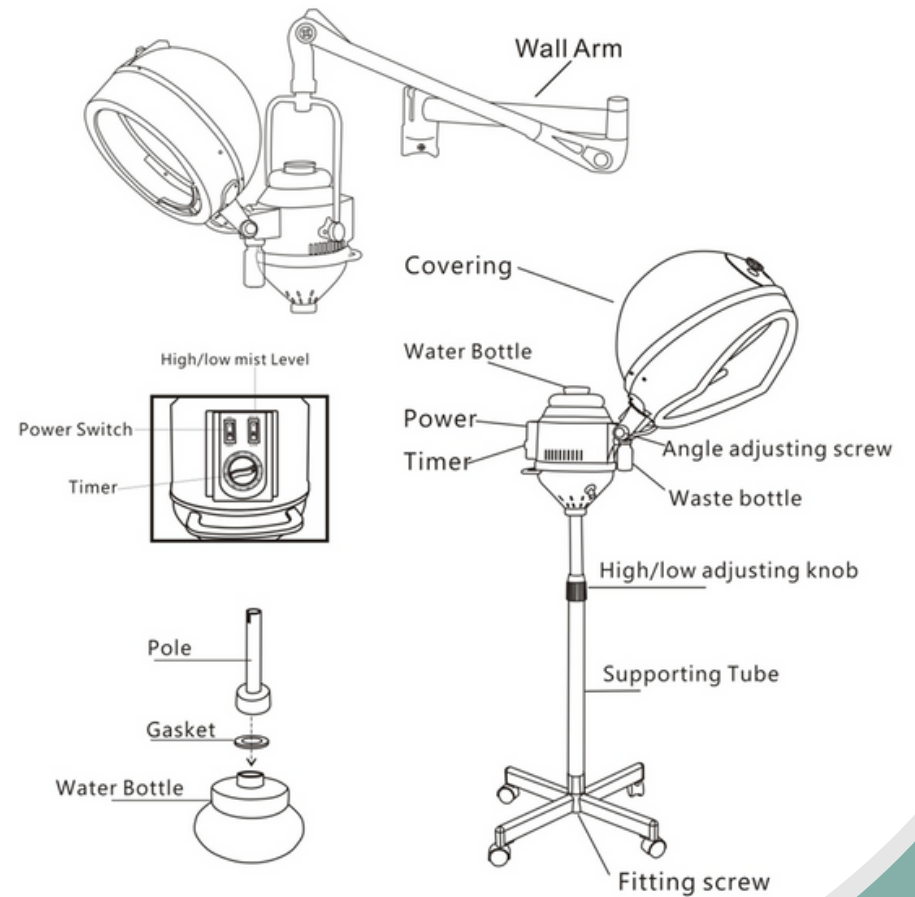


STAND/BASE ASSEMBLY INSTRUCTIONS



ENVIRON CONDITIONING STEAMER

MODEL: ZHI-HRS-828



**Thank you very much for purchasing our product.
Please read our user manual carefully prior to use.**

INSTALLING STEPS:

- Open the carton, assemble the Stand/Base as pictured on other page.
- Take out the Steamer, connect with the supporting pole and fix well.

OPERATIONS STEPS:

1. Fill the Water Bottle with clean water, tighten the pole, and then put the bottle in the Steamer.
2. Turn on the Power Switch and adjust the Timer to a suitable time; After the vapor comes out, it can be used.
3. Press the second switch down if the vapor's temperature is too high. The power will be switched off automatically when the Timer is up.

ATTENTIONS:

- The Water Bottle must be filled with clean water before using and the residual water must be drained.
- If there is no vapor coming out during the work, the power must be turned off.
- If the machine is abnormal or the power cord is aged, please do not use it. The machine must be maintained by a professional or at a designated location.

CAUSE OF WATER LEAKAGE:

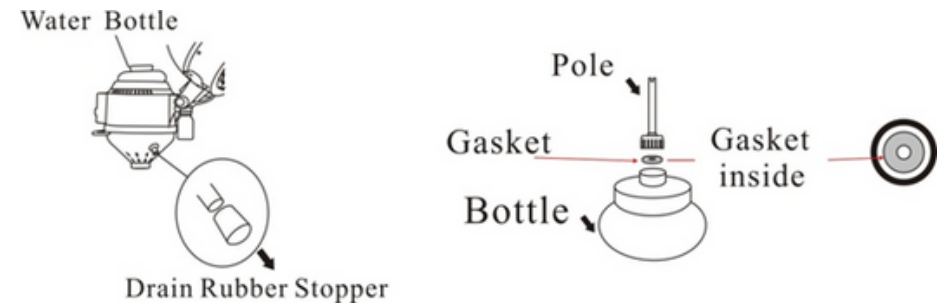
- Pole of Water Bottle has not been tightened
- Rubber Gasket has fallen off
- Water Bottle is cracked

CONTACT US

- ☎ 972-926-6488
- ✉ service@aycllc.com
- 🌐 www.aycllc.com

SOLUTIONS TO HAIR STEAMER LEAKAGE

1. Turn off Power Switch and take out the Water Bottle.
2. Pull out the Drain Rubber Stopper while the water is cooling down. Replace the Stopper after draining water from the Heater.
3. Remove the Pole from the bottle and check whether the Rubber Gasket is inside the Pole. It won't work if missing the Gasket.



4. Add water to the Water Bottle and tighten up the Pole with a Gasket to the Bottle.
5. The method of testing Water Bottle leakage; Put the Water Bottle upside down into a cup with water.
 - If there are no bubbles in the Bottle, then keep using it.
 - If there are bubbles in the Bottle, re-tighten the Pole, when there are no bubbles in Bottle, then we can keep using it.
 - If there are still bubbles after re-tightening the Pole, please check whether the Water Bottle or Pole is cracked.
6. Put the Bottle back into the machine and it can be used normally.

