



LIBRA II

WALL MOUNT HAIR DRYER

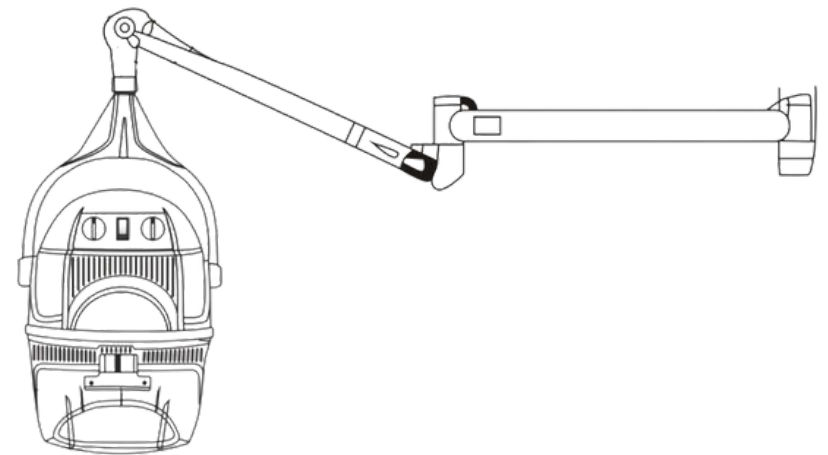
MODEL: ZHI-DRY-204

INSTALLING TO CONCRETE:

Use concrete expansion bolts (included) to mount to concrete wall only

INSTALLING TO DRY WALL:

1. You will need to purchase 1/4" toggle or molly bolts that are about 2-1/2" ~ 3-1/2" in length.
2. Be sure to install on a stud strong enough to withhold the weight of the dryer/arm support assembly.
3. Install the dryer mounting bracket on the wall at desired location with recommended dimensions and measurement.



**Thank you very much for purchasing our product.
Please read our user manual carefully prior to use.**

CONTACT US

📞 972-926-6488

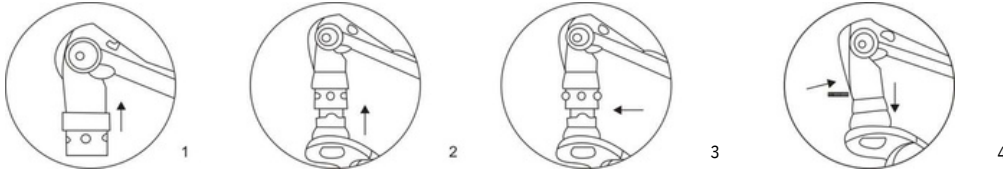
✉ service@aycllc.com

🌐 www.aycllc.com

I. HAIR DRYER AND WALL ARM ASSEMBLY

- Place the steel ring above the ball bearings on the neck of the wall arm (diagram 1).
- Insert hair dryer head into the neck (diagram 2).
- Lubricate the four small ball bearings and insert into the four small round sockets (diagram 3).
- Pull down the steel ring to cover the ball bearings and fasten with the small screw above the ring (diagram 4).

****DO NOT INSTALL ARM TO THE WALL FIRST AND ATTACH DRYER AS IT MIGHT CAUSE ARM ADJUSTMENT MALFUNCTION****



II. ADJUSTING THE NECK

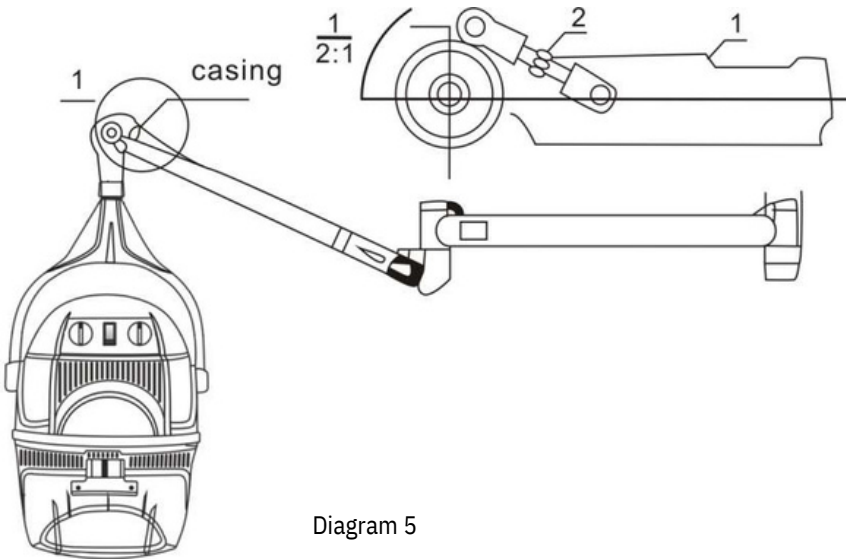


Diagram 5

III. NECK'S FITTING MEASUREMENTS

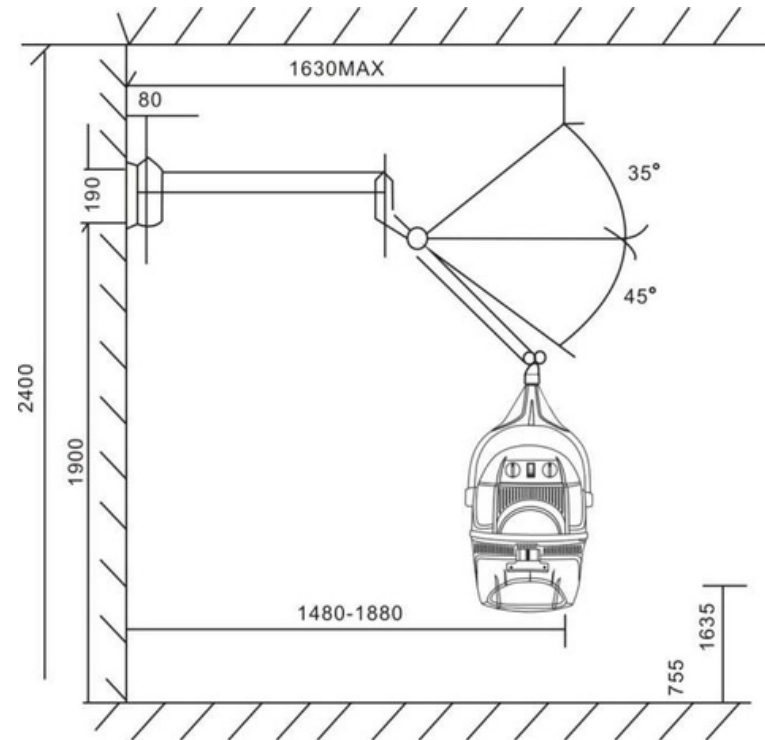


Diagram 6

IV. BOUNCE ADJUSTMENT

- If the hair dryer gets stuck, adjust the neck's bounce (diagram 5).
 - To adjust the bounce, twist off casing screw.
 - Adjust screw with screwdriver in the neck adjustment slots until satisfied with location.

V. BALANCE ADJUSTMENT

- If hair dryer is not horizontal, an adjustment is recommended
 - To adjust the balance, twist off the casing screw.
 - Adjust screw with needle nose pliers until the dryer is horizontal.