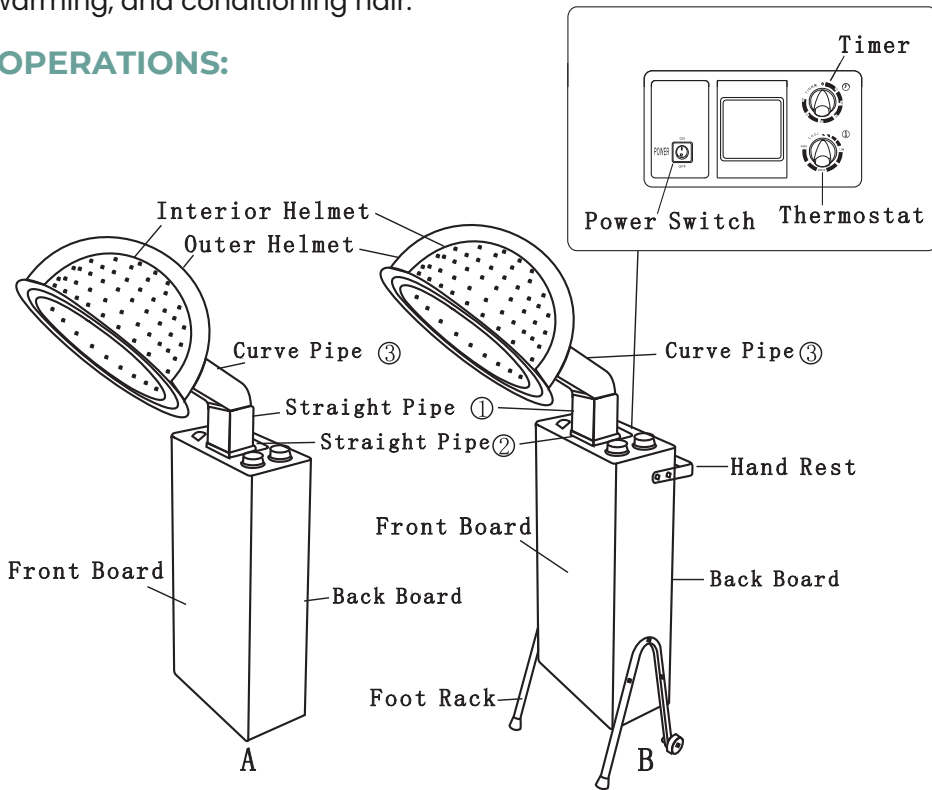


Thank you very much for purchasing our Hair Dryer. Please read our user manual carefully prior to use. If the instructions are followed, the excellent performance and operation will be clear.

FUNCTIONS:

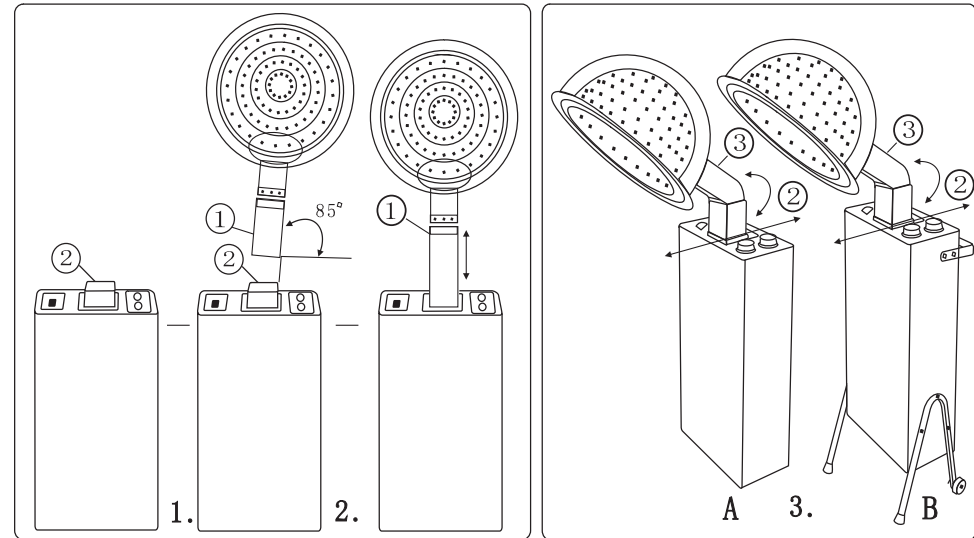
The dryer has automatic temperature control and expels even and soft wind. These factors combine to achieve better outcomes for drying, warming, and conditioning hair.

OPERATIONS:



1. Take out the machine and the accessories from the carton.
2. Stand the main body on the floor and move the Straight Pipe ② inside of the main body. Then turn pipe ① at an angle of 85° and insert it into the Straight Pipe ②. Lastly, insert helmet onto main body.
3. Finish Installing
 - a. Height of Straight Pipe ① can be adjusted
 - b. Straight Pipe ② can be moved to the front or back.
 - c. Curved Pipe ③ can be adjusted to front position.

4. Please ensure that the local voltage matches the required voltage of the machine. Then connect the appliance to the electricity.
5. Turn the timer switch to the desired time and then flip the power switch. The default temperature is 70°C (158°F) and can be adjusted to your needs.



NOTES:

1. Avoid using the appliance in direct sunlight, high temperature or high humidity.
2. Keep appliance away from inflammable items.
3. This unit has been strictly tested and inspected before sale and has a complete set of safety circuits. If the unit or power cord has a failure, please get repaired by a licensed electrician.
4. The appliance must be used in accordance with the user instructions. We accept no liability for unit failure or other issues if the product is not used following those instructions.
5. To extend the life of the appliance, please allow a 30 minute break after 60 minutes of use.
6. This machine is not suited for use by the infirm or children.