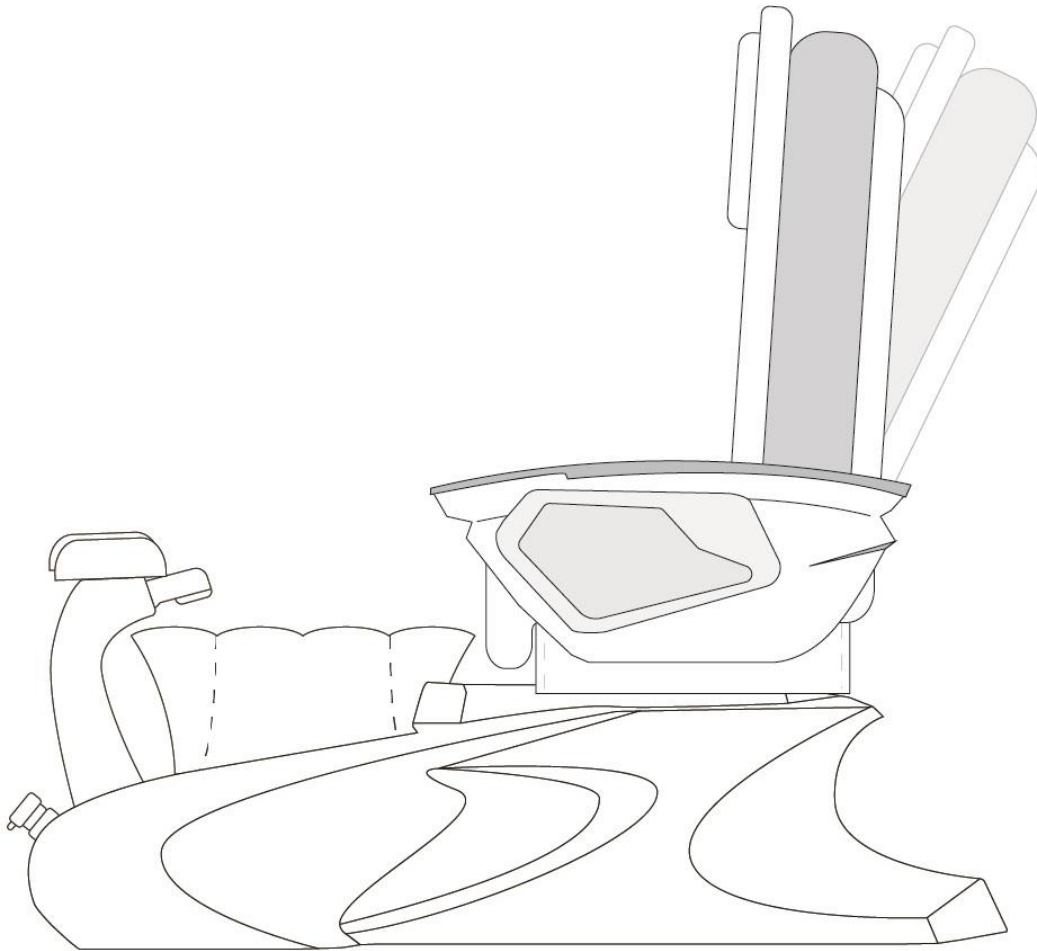


# VIGGO II

WHIRLPOOL PEDICURE SPA

## **User's Manual**

Please read user's manual thoroughly  
Before using pedicure spa



**Table of Contents**

Introduction & Safety .....Pg. 3

Important Considerations .....Pg. 4

Parts Identification & Description ..... Pg. 5

Specifications & Dimensions.....Pg. 6

Pedicure Chair Installation.....Pg. 7

Drain Installation.....Pg. 8

Spa Recommended Clearance .....Pg. 9

Spa Tub Operation & Maintenance .....Pg. 10

Limited Warranty .....Pg. 11

Limited Parts Warranty Breakdown & Service.....Pg. 12



Thank you for choosing MAYAKOBA Viggo II Pedicure spa. MAYAKOBA is an AYC's registered trademark for elegant and well-designed pedicure spa chairs and other nail salon furnishings. We strive to bring quality, dependability and affordability when properly used.

PLEASE TAKE TIME TO READ THIS MANUAL THOROUGHLY BEFORE USE. If you have any questions or concerns with our pedicure spa, please contact our customer service and technical support at 972-926-6488 ext. 2, Monday through Friday 9AM – 5PM or email us at [service@aycllc.com](mailto:service@aycllc.com).

### **Important Requirements**

The MFG requires that you contact your local, licensed plumber and licensed electrician to install your new spa. Installation MUST follow all local and state building codes. Your pedicure spa can not operate efficiently or safely unless it is provided with adequate electrical power, sufficient water pressure, proper water temperature, and required drainage capabilities. Contact your local building inspector for information and local code compliance procedure that needs to be followed when having your new pedicure spa installed. Subsequent inspections and approvals that may be required are the responsibility of the purchaser.

### **Shipment Inspection**

Thoroughly inspect each shipment immediately upon arrival. It is very important that you notify the driver directly and note any damage or irregularities on the delivery receipt. Failure to note damage on the delivery receipt may prevent any claims you may have against the carrier.

If concealed loss or damage is found, you MUST report it to AYC within 72 hours of delivery and DO NOT DISCARD THE SHIPPING CARTON. Failure to do so constitutes acceptance of the shipment as-is and in good order and, additionally, waives any right to collect possible compensation from shipping claims.

### **Precaution**

- DO NOT stand on the inside of the basin or on the spa.
- Excessive water temperature is dangerous and should be checked before use. Maximum water temperature should not exceed 100F (38C) degree.
- Always enter and exit the spa slowly and carefully.
- Never bring or operate any electrical device near pedicure spa.
- The unit has a weight capacity of 300 lbs.
- Please do not allow small children to use or play around the chair.
- This content is for indoor use only. Disconnect power supply cord before servicing and cleaning.

### **Health Warning**

Individuals whose feet or legs are inflamed or have open wounds should not be allowed to use the pedicure spa at any time. The technician should advise clients to consult their physician before using the spa if there is any sign of fungal infection, swelling, fracture, or persistent pain. In some cases, diabetics may experience improved circulation in their feet but should first consult their physician prior to receiving a pedicure.

**If the client experiences any pain or discomfort, discontinue the use of the pedicure spa immediately.**

## **Important Considerations**

### **Electrical Service**

A 110V, 60Hz, 15Amp GFCI protected grounded circuit MUST be used to supply power to each individual pedicure spa. The main circuit breaker MUST be 25Amp to allow the maximum of two units per outlet.

### **Water pressure**

- To fill the basin correctly up to level, normal water pressure of 30 to 80 P.S.I is required.
- Maximum Pressure: 150 psi (10 bars)
- Minimum Pressure: 10 psi (69kPa)

### **Water temperature**

- The hot water supply temperature must not exceed 140F. Adjust your hot water accordingly. Carefully connect hot/cold water hoses located on the rear of the pedicure spa to the water supply line.
- Working Temperature: 33F to 140F constant; intermittent to 180f (0.6C to 60C sustained; intermittent to 82.2C)
- Recommended Flow: 1.5 gpm

### **\*\* Backflow Preventor/Vacuum Breaker\*\***

Due to differences in construction layout of salons and city plumbing codes, please contact your local plumber to fulfill your needs as required. Backflow preventers are not supplied by the pedicure spa manufacturer. The Plumber MUST provide Backflow Preventor according to building code requirement.

### **Drainage**

The pedicure spa Drain must meet local plumbing codes. Check valve for Drain (not provided) must be installed by a licensed plumber.

### **UL / ETL LISTED**

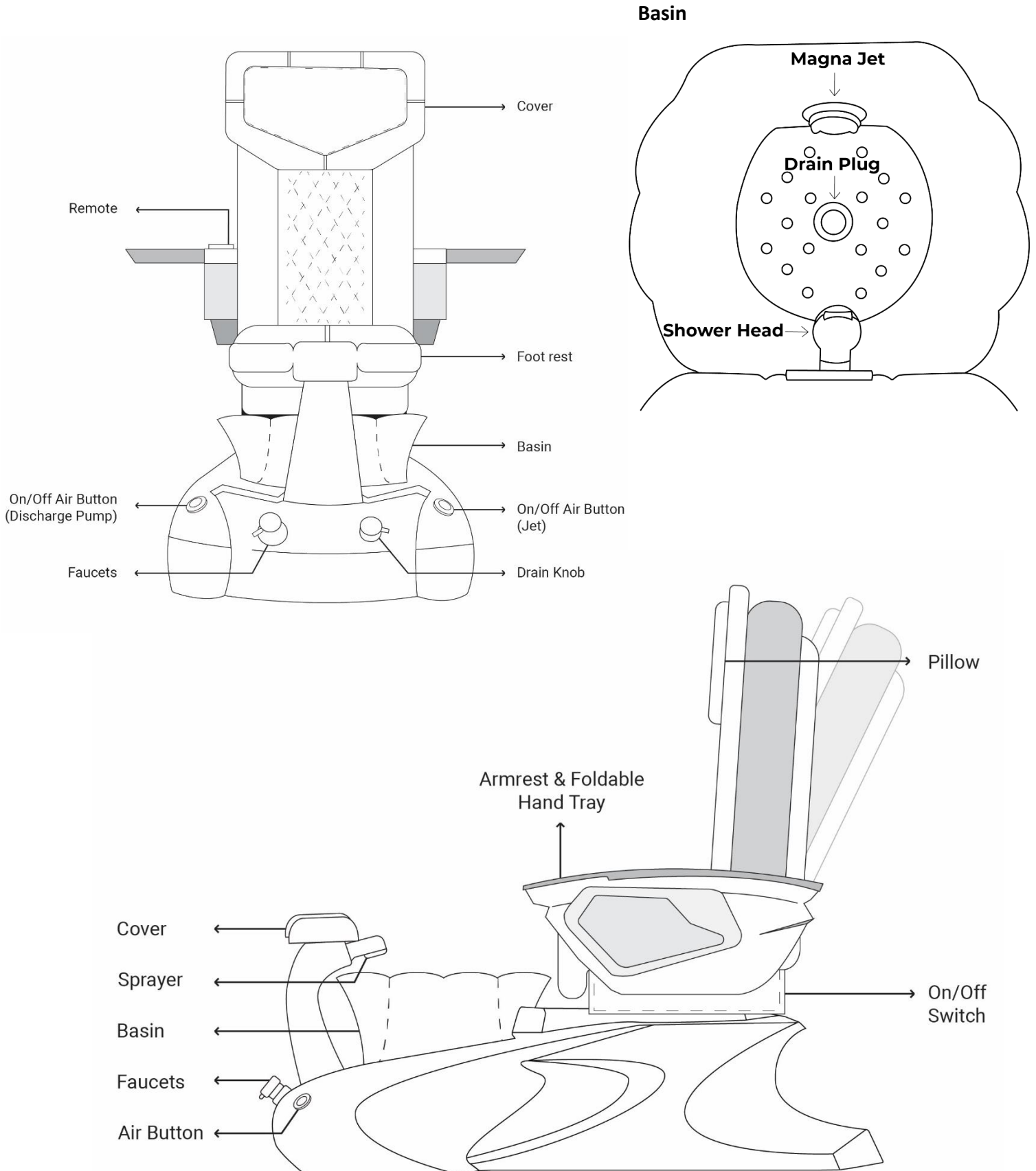
All MAYAKOBA pedicure spa chairs are UL and ETL listed.

### **Installation Summary**

The installation must comply with local, state, and federal building, plumbing and electrical codes, where applicable. A licensed plumber should complete the plumbing of the pedicure spa.

Note: Failure to comply with federal, state, or local codes and ordinances will result in warranty being nullified and void.

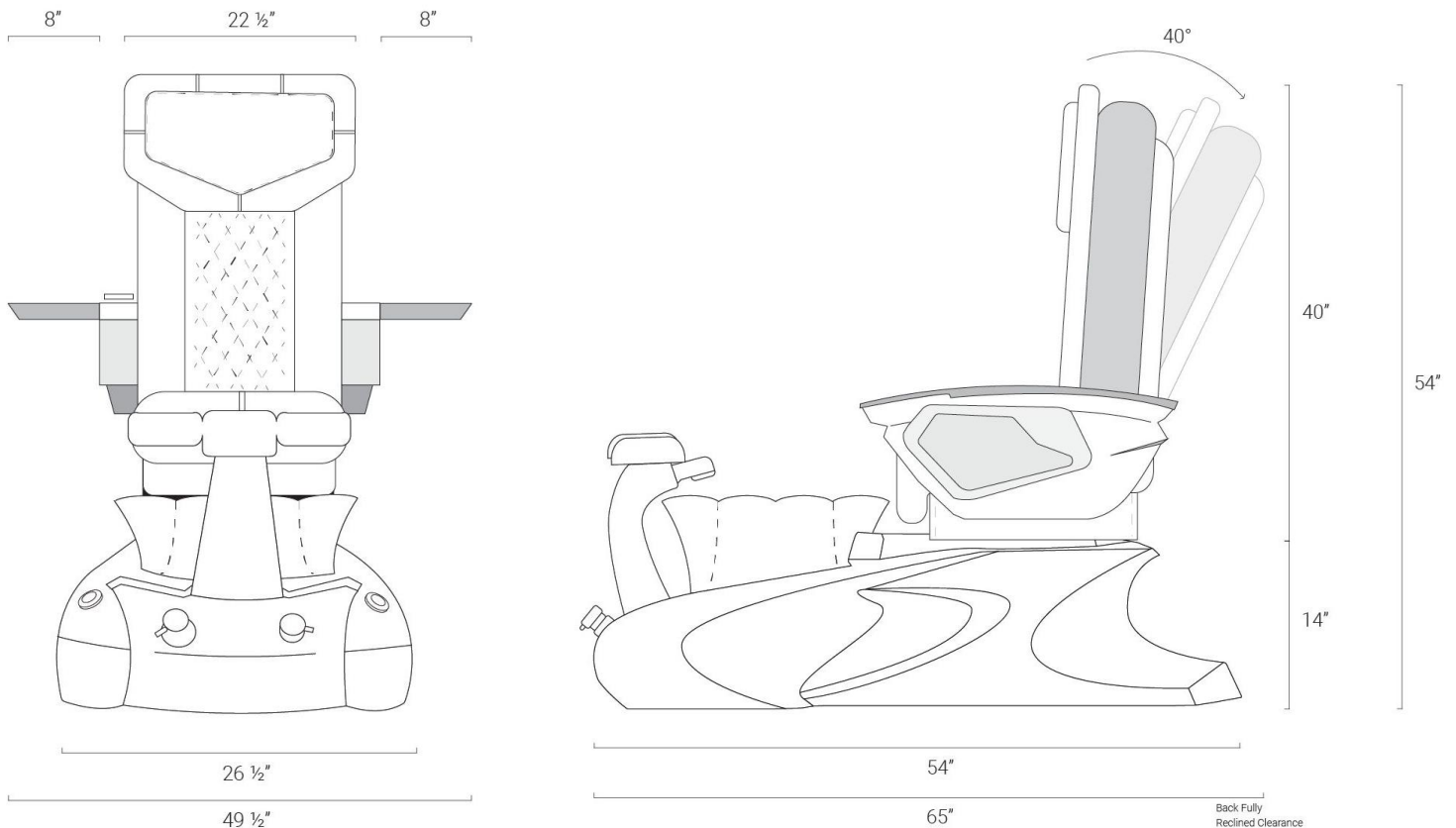
**Parts Identification & Description**



## Specifications

<b>Dimension &amp; Weight (Shipping)</b>	Pedicure Spa Base & Massage Chair Top	60" x 40" x 46" (approximate)	285 lbs.
<b>Dimension &amp; Weight (Net)</b>	Pedicure Spa Base & Massage Chair Top	62" x 31" x 55" (approximate)	235 lbs.
<b>Capacity of Tub</b>		4.5 Gallons (approximate)	
<b>Switch</b>		On/Off Air Activated Switch	
<b>Power Source</b>	Dedicated 15Amp Wall Outlet Required		
	Pipe-less Jet motor	120V, 1.0 A, 60Hz	
	Discharge Pump (Optional)	115V, 0.95 A. 60Hz	
	Massage System	120V, 60Hz	
<b>Plumbing Source</b>	Hot Water	3/8"	
	Cold Water	3/8"	
	Drain	1" (See Plumbing Instruction)	
<b>Warranty</b>	1 Year (See Warranty for covered parts)		

## Dimensions



## **Pedicure Chair Installation**

**These steps must be followed in order for the installation to be successful. You will require a helper for steps 2-9. The estimated time is about 15 minutes.**

**Step 1:** Locate the four holes on your pedicure spa base and align the two metal bar spacers (the black metal bars with holes on each end) with the holes going lengthwise along the base, not across.

**Step 2:** The rest of the steps will require a helper - Set the chair directly on top of the metal spacer bars carefully.

**Step 3:** While one person is supporting the chair on the metal spacer bars, attach the power cord to the back of the chair and plug it into the wall outlet (If you would like to minimize wires, you can plug the chair into the control box outlet labeled "continuous" and then plug the control box power cord to the wall outlet)

**Step 4:** Connect the remote control to the chair. To do this, you need to pull the remote cable around the back of the chair and plug it into the connector that is sticking out from the seat frame. Make sure the pins line up and then screw in the removable washer to secure the connection.

**Step 5:** Use the remote to move the seat backwards via the button; This will allow access to the holes in the front. Once you can access these holes, make sure they are lined up with the holes in the metal spacer bars and base.

**Step 6:** Insert the screws with the washers on them through the holes on the frame of the chair, through the metal spacer bars and base.

**Step 7:** After that, move the chair forward using the remote to allow access to the holes in the rear of the base. Make sure that these are lined up with the chair frame and the metal spacer bar as well.

**Step 8:** Insert the screws with the washers on them through the holes on the frame of the chair, through the metal spacer bars and base.

**Step 9:** Go to the rear of the base and reach in through the access panel to attach the nuts to the end of the bolts from steps 6 and 8. Tighten the nuts with a wrench while your helper holds the chair down and in place.

**Step 10:** Your helper can now relax. Attach the black wooden board to the seat frame. Remove the screw caps on the wooden board and make sure the connecting piece underneath the wooden board is interlocking with the small horizontal bar above the motor. Align the 2 screws in the front and attach the caps back on to secure the board.

**Step 11:** Connect seat vibration wire. Pull out the connecting wire from the seat frame and connect it to wire under the seat cushion.

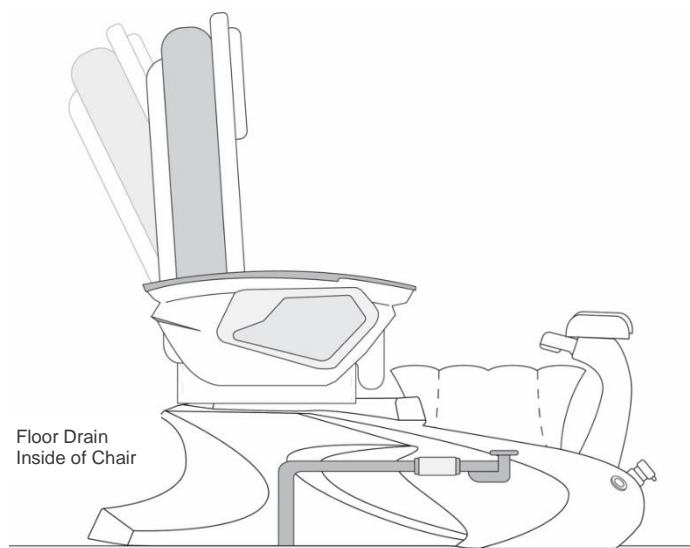
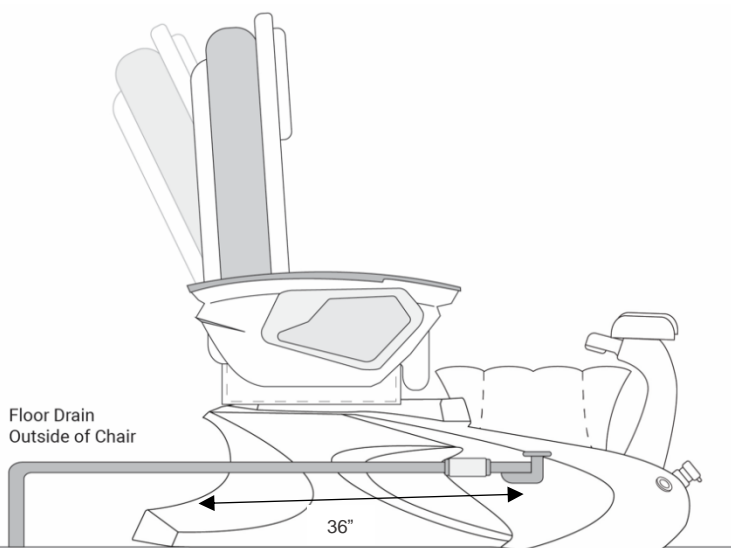
**Step 12:** Attach the back cushion, seat cushion and skirt to the chair.

**Step 13:** Attach the footrest on the spa base. Align the holes on the footrest to the existing holes on the base and install the six screws.

## Drain Installation

- Floor (or Gravity) Drain (for units without discharge pump): connect 1" PVC pipe or 1" flex hose from P-Trap underneath the drain assembly to the floor drain.
- Wall Drain (for units with discharge pump): the plumbing requires 2 to 3 ft of 3/4" PVC pipe and 2 of 90° 3/4" elbow connectors to go up and over the back of the pedicure base, which then goes to your drain.
- Distance from the drain to the back of base: 36".

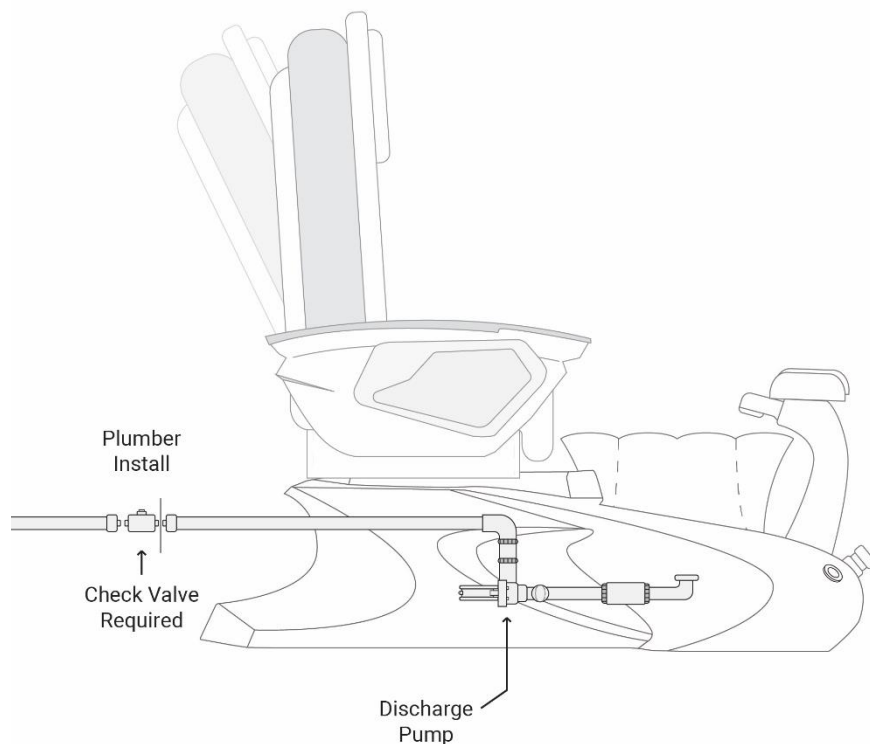
**Note:** Due to differences in construction layout of salons and city plumbing codes, PVC pipes & elbow connectors are not included, your certified plumber will need to provide them when doing the installation. The pedicure spa installation must comply with all plumbing and electrical codes. A licensed plumber and licensed electrician must complete the applicable connections of the pedicure spa.



### **Discharge Pump (Optional)**

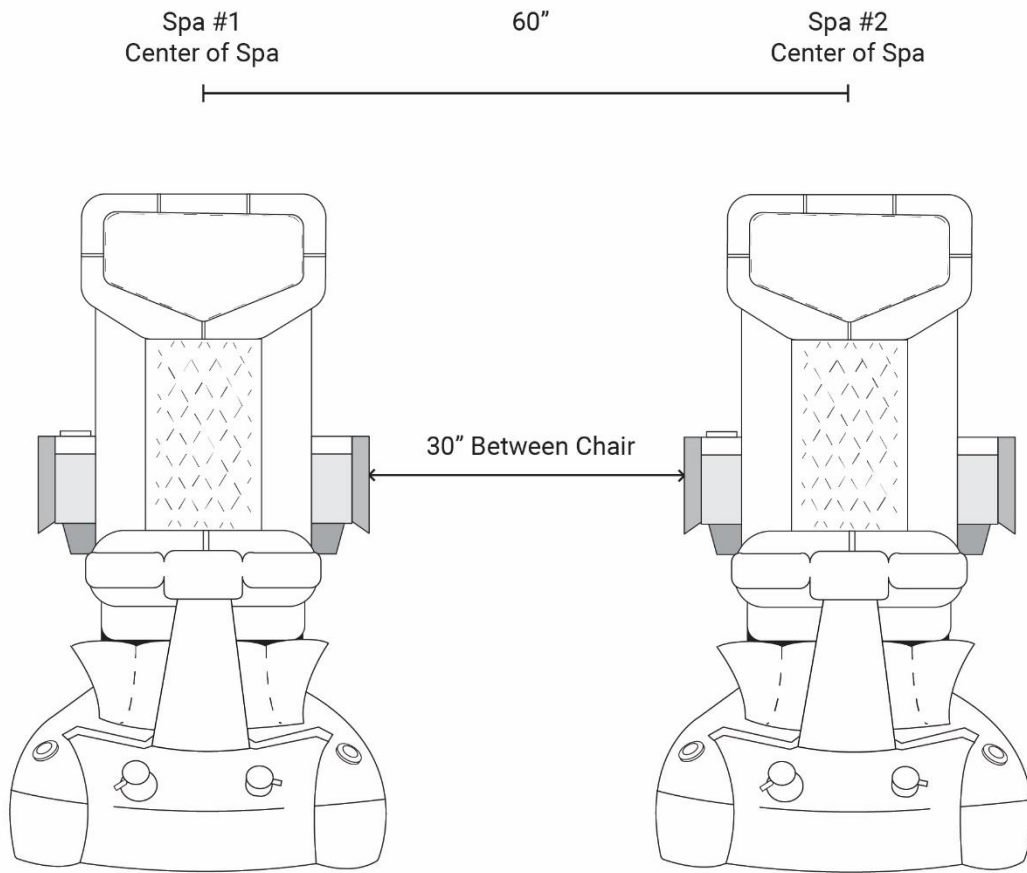
Up to 4ft @ +/- 39 sec. with 1/2" connection to main drain.

### **Wall Drain**



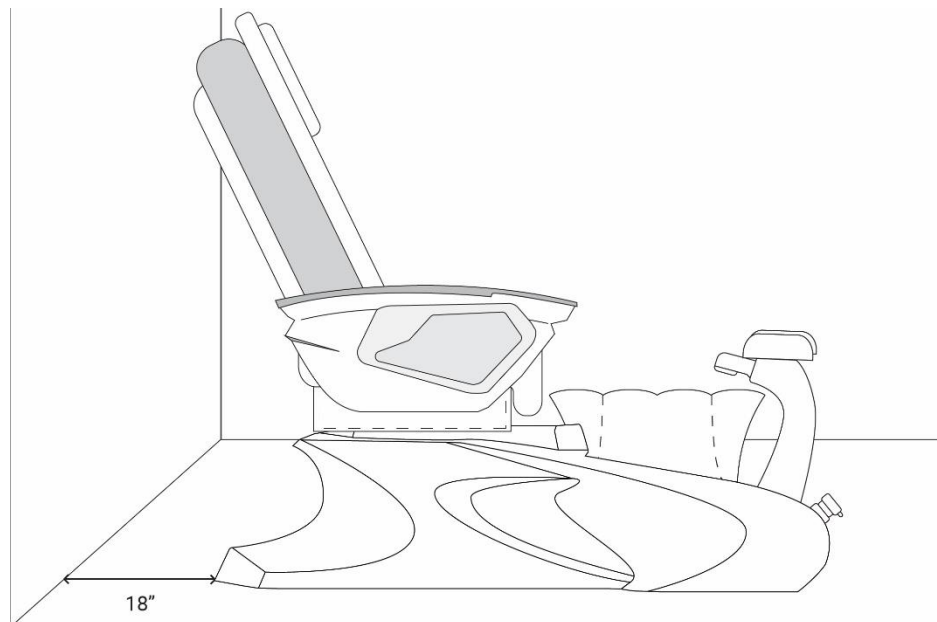


## Spa Recommended Clearance



NOTE: Both back of chair and seat are adjustable. When both are at maximum positions, it must allow 18" (46cm) from back wall to spa chair. This minimum distance assures unobstructed recline. Failure to follow this required dimensions might damage your spa components and plumbing connections, which will void your warranty.

## Wall Clearance



## Spa Tub Operation & Maintenance

### Filling Water

- Place the drain plug into the drain from the top (the drain plug may need to be adjusted so that it forms a tight seal around the drain).
- Close the drain plug by turning the drain knob counterclockwise.
- Lift the single lever hot/cold mixer faucet to fill the tub to the water level above the whirlpool jet at least 1 inch. Fill the tub until the pipeless jet is completely submerged in water
- If the water level decreases during the operation of the whirlpool, simply add more water.
- **Warning:** DO NOT RUN DRY. BASIN MUST FILLED WITH WATER TO LEVEL INDICATOR.

### Starting Whirlpool

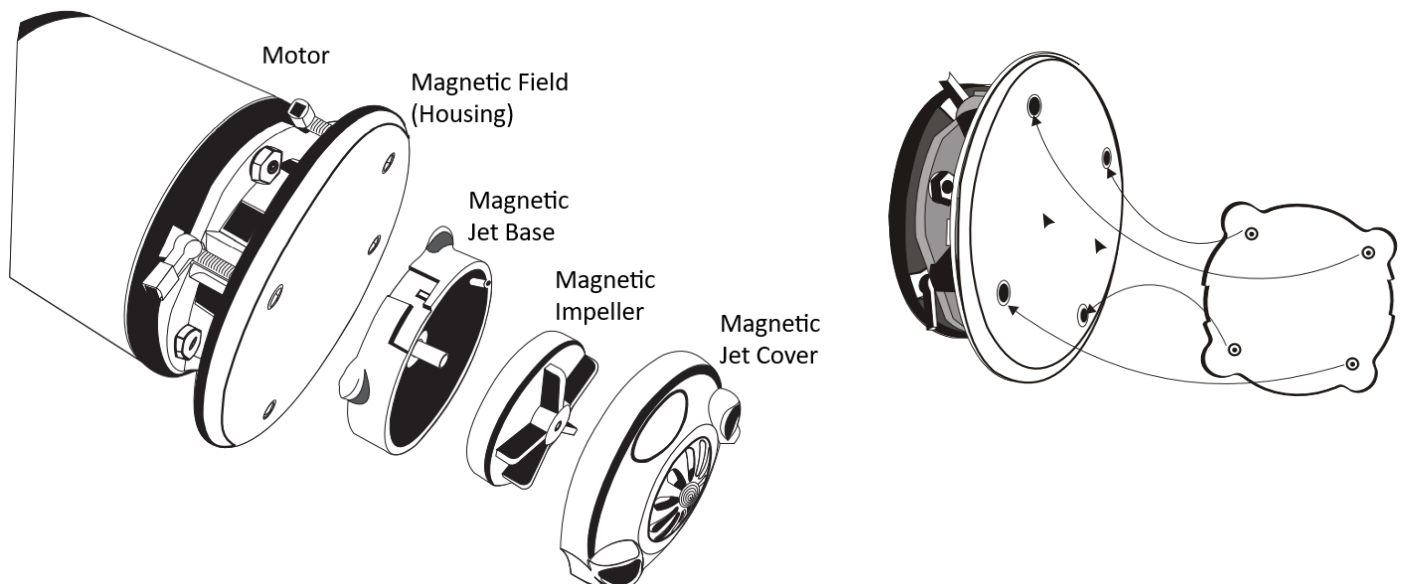
- Make sure magnet jet head is well attached to the jet motor
- Press the whirlpool jet button located on the right side of the front panel to turn on and off.

### Draining

- Turn the drain knob clockwise to open the drain plug to drain out water.  
**Warning:** Do NOT spin the drain gear too much, or it would strip and be ruined.
- Press the drain button located on the left side of the front panel to turn on/off the discharge pump (if unit is equipped with one).  
**Warning:** Do NOT turn on the drain pump unless adequate water is in the tub. THE WARRANTY IS VOID IF THE PUMP HAS BEEN RUNNING DRY.

### Maintenance

- When finished with client, do not remove magnetic jet until motor is fully stopped. When motor is fully stopped, remove magnetic jet head from the motor and remove jet cover and impeller for sanitization by turning counterclockwise.
- At the end of the day, flush the whirlpool system with low-sudsing detergent and warm OR and EPA – registered cleanser for 10 minutes. Rinse with clean fresh water and drain.
- **Note:** The use of oil-based products can build up in the jet system and build up onto the surface of the basin. Daily cleaning will minimize build up.



## **Limited Warranty**

AYC Group manufactures pedicure spas with the highest standards for quality materials and workmanship. Accordingly, AYC Group warrants its products as follows:

To the original owner of the Mayakoba pedicure spa chairs, AYC Group may repair or replace, at its discretion, any pedicure spa chair deemed to be defective in material or workmanship upon inspection by an authorized seller of AYC Group. This warranty covers only the listed components for a period of one year, dating from the date of delivery and does not include labor. **There are no other warranties, express or implied.**

Owner is responsible for all labor and shipping charges necessary to replace or repair the pedicure spas. AYC Group will not be liable for any consequential, incidental, or contingent damages. If a pedicure spa needs to be exchanged, it will be limited to supplying a replacement pedicure spa of comparable style and size.

AYC Group may at its own discretion use refurbished parts or pedicure spas for repair and replacement purposes. This warranty is null and void if the pedicure spa is removed from its place of initial installation or is not installed in accordance with federal, state, or local codes and ordinances. Furthermore, this warranty does not apply if the pedicure spa has been subject to misapplication, misuse, improper installation or maintenance, negligence, improper cleaning, or other circumstances beyond AYC Group's control.

The following are examples of what is not covered by the warranty:

1. Natural wear and tear including but not limited to staining, fading, or discoloration of the vinyl seat, armrests, or footrest.
2. Damage resulting from standing in the basin.
3. Damage to pump parts and/or motor parts due to obstruction in plumbing lines, drains, etc.
4. Staining, fading, or discoloration of plastic surfaces due to exposure and/or the use of harmful cleaning agents or chemicals.
5. Staining, fading, or discoloration caused by improper or poor water additives not related to maintenance of proper water.
6. Malfunctions or damage caused by improper installation, including not meeting local and state plumbing, electrical, and building codes.
7. Freight damage, misuse, neglect, abuse, and natural disaster.
8. Unauthorized repairs.
9. Natural wear and tear of remote control including broken buttons, cracked screens, or water damage.

By using the pedicure spa chairs, Owner agrees that the obligation of AYC Group shall not extend to indirect or consequential damage or injury which may result from pedicure spa use. Owner agrees that the obligations of AYC Group are limited to those set herein and that there are no other obligations except those expressly agreed to in writing by AYC Group. No dealer or other person has any authority to bind AYC Group to changes or additions to this warranty or its products; accordingly, AYC Group is not responsible for any such warranties or representations.

## **Limited Parts Warranty Breakdown (1 Year Warranty)**

- a. Massage Chair Top
  - I. Main PC board
  - II. Seat frame actuators
  - III. Remote control (excluding cracked screens, broken buttons, and water damage)
- b. Pedicure spa Base/Tub
  - I. Faucet
  - II. Sprayer
  - III. Hot/cold water Hoses
  - IV. Jet Motor
  - V. LED Light
  - VI. Drain Assembly
  - VII. On/off air buttons
  - VIII. Electrical control box
  - IX. Discharge pump motor

## **Service**

Should service be required for defect or malfunction during the warranty period, please contact your local distributor or online retailer.

1. The dealer shall forward all warranty-related matters to AYC Customer Service Department.
2. Serial Numbers and Original Invoice must accompany all warranty claims.
3. Customers are responsible for shipping defective parts back to AYC. These parts must be packaged correctly in order to protect against any further damage.
4. All parts are to be shipped by FedEx/UPS Ground Service, average 2-5 days.
5. All defective parts must be shipped back to AYC within 30 days of receiving the new replacement parts or warranty will be void.
6. Any warranty claim that cannot be determined over the phone, the customer must send photos and original invoice directly to AYC before any repairs can be performed.
7. Any service performed on the product without AYC authorization will also void the Warranty.

No dealer or other person has any authority to bind AYC to changes or additions to this warranty or its products. Accordingly, AYC Group is not responsible for such warranties or representations.

**AYC Group, LLC**  
Garland, TX 75042

Tel: 972-926-6488

**[www.aycllc.com](http://www.aycllc.com)**