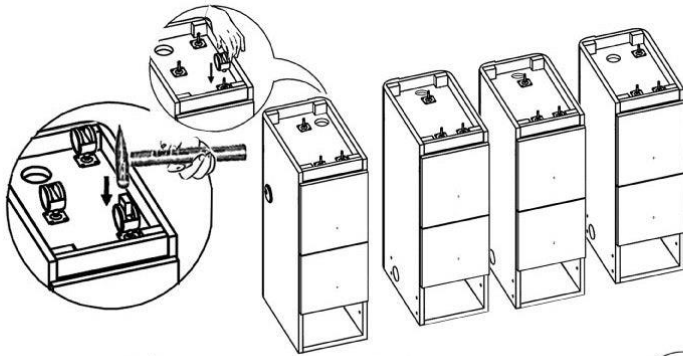
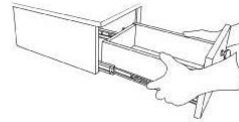


# Triple Nail Installation

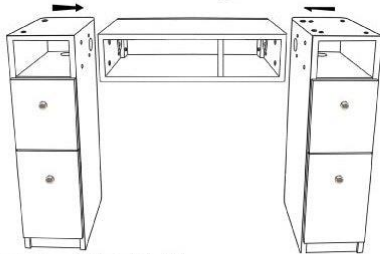


Step 1: Remove all drawers from the side tables



Step 2: Installing Wheels

- \_ Flip all tables with cabinets upside down
- \_ Install wheels into their slot
- \_ Place a wooden piece in between the wheel, then use a hammer to softly tap the wheels into their position until you hear a "click"



Step 3: Installing left side table

- \_ Return the cabinets table to its original position.
- \_ Place the middle pocket table in between tables with cabinets.



Install Bolts from the inner side flap of the two side cabinet tables  
\_ Each side fit 4 bolts (1"3/8 x4 bolts)



Step 4: Installing middle section

- \_ Installing middle table with pocket drawers
- \_ Start with middle table with drawer then side table with cabinets



Install Bolts from the inner side flap of the two side cabinet tables  
\_ Each side fit 4 bolts (1"3/8 x4 bolts)

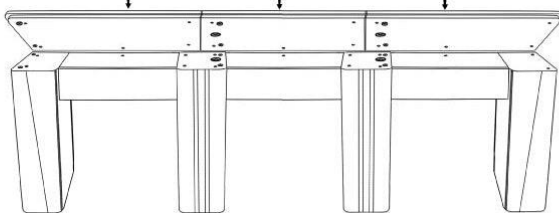


Step 5: Installing right side table

- \_ Installing right table with pocket drawer
- \_ Start with table with drawer then right side table with cabinets

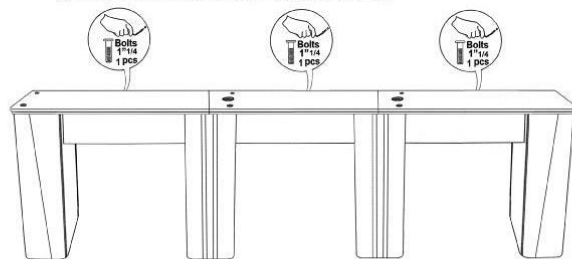


Install Bolts from the inner side flap of the two side cabinet tables  
\_ Each side fit 4 bolts (1"3/8 x4 bolts)



Step 6: Installing marble top

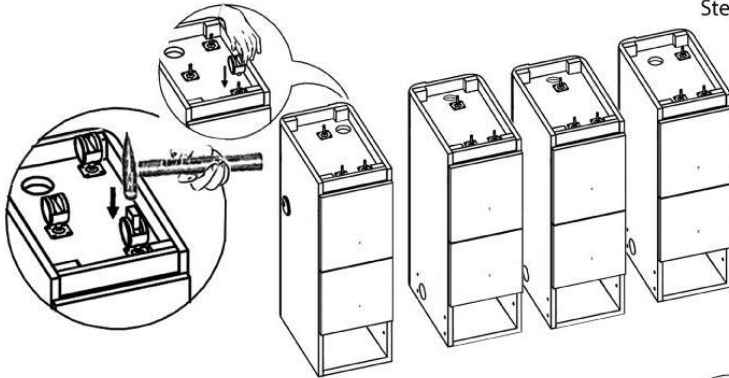
- \_ align marble table on top
- \_ Install Bolts from the inner side of the marble tables
- \_ Each marble top fits 4 bolts (1"1/4 x4 bolts)



Install Bolts from the inner side of the marble table onto the marble top  
\_ Each side fit 1 bolt (1"1/4 x3)

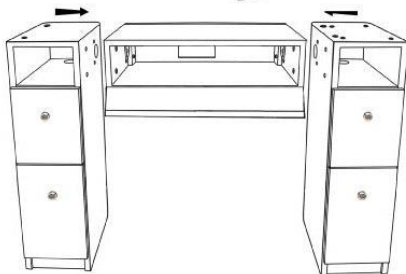
# TRIPLE NAIL TABLE INSTALLATION (WITH 1 UV HOLE)

Step 1: Remove drawers from all the side table with cabinets



Step 2: Installing Wheels

- \_ Flip all tables with cabinets upside down
- \_ Install wheels into their slot
- \_ Place a wooden peice in between the wheel, then use a hammer to softly tap the wheels into their position until you hear a "click"...

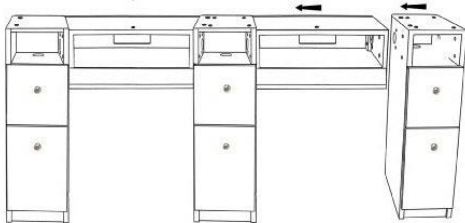


Step 3: Installing left side table

- \_ Return the cabinets table to its original position.
- \_ Place the middle pocket table in between tables with cabinets.

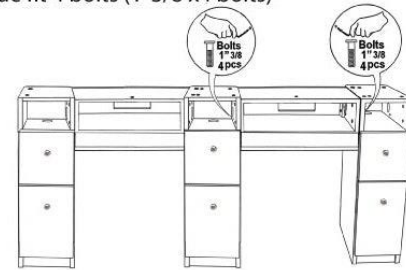


Install Bolts from the inner side flap of the two side cabinet tables  
\_ Each side fit 4 bolts (1"3/8 x4 bolts)



Step 4: Installing middle section

- \_ Installing middle table with pocket drawers
- \_ Start with middle table with drawer then side table with cabinets



Install Bolts from the inner side flap of the two side cabinet tables  
\_ Each side fit 4 bolts (1"3/8 x4 bolts)

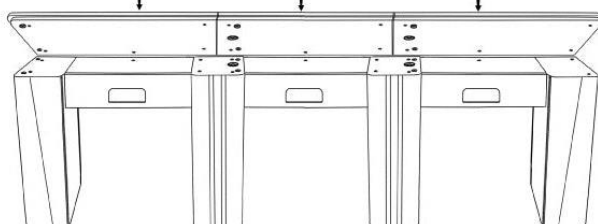


Step 5: Installing right side table

- \_ Installing right table with pocket drawer
- \_ Start with table with drawer then right side table with cabinets

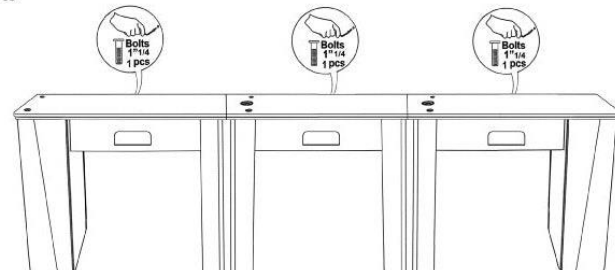


Install Bolts from the inner side flap of the two side cabinet tables  
\_ Each side fit 4 bolts (1"3/8 x4 bolts)



Step 6: Installing marble top

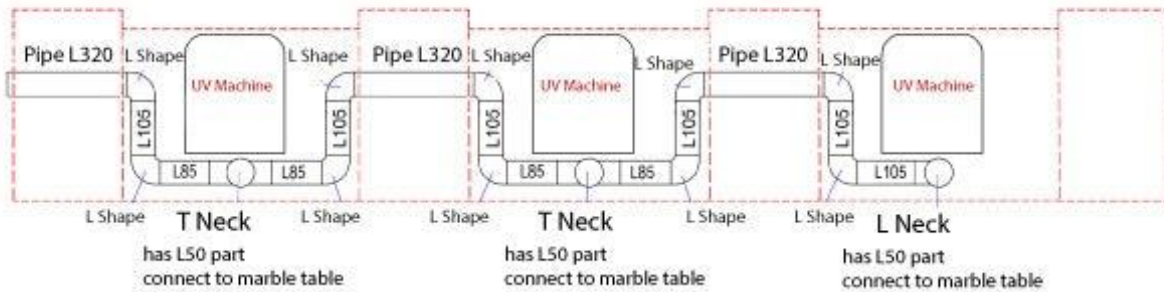
- \_ align marble table on top
- \_ Install Bolts from the inner side of the marble tables
- \_ Each marble top fits 4 bolts (1"1/4 x4 bolts)



Install Bolts from the inner side of the marble table onto the marble top  
\_ Each side fit 1 bolt (1"1/4 x3)

# Triple Nail Pipe Installation (Install UV Machine first then the pipes)

## 1st Method: Left pipe Installation



## 2nd Method: Right pipe installation

