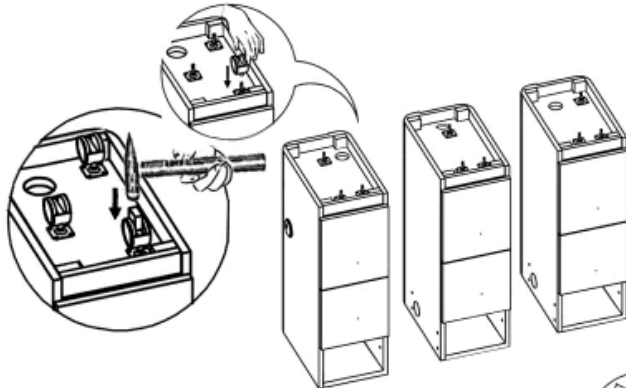
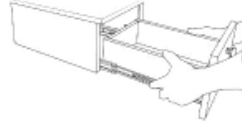


Double Nail Table Installation

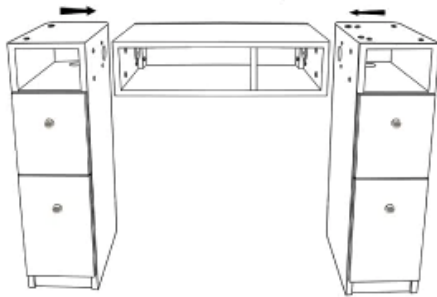


Step 1: Remove left side drawer of the table



Step 2: Installing wheels

- _ Flip the drawer table upside down
- _ Install the wheels into their slots
- _ Place the wood piece into the middle of the wheel, use a hammer gently tap until you hear a "click" sound

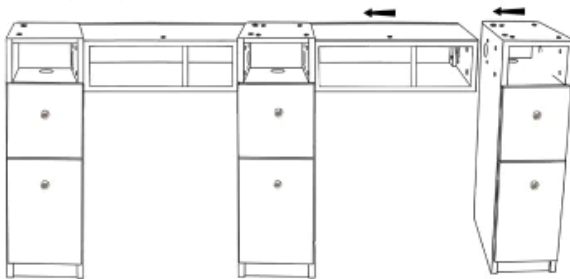


Step 3: Install Left table

- _ Place 2 side tables with drawers and one middle table (1) lying down
- _ Make sure middle table fit the two side tables and put together

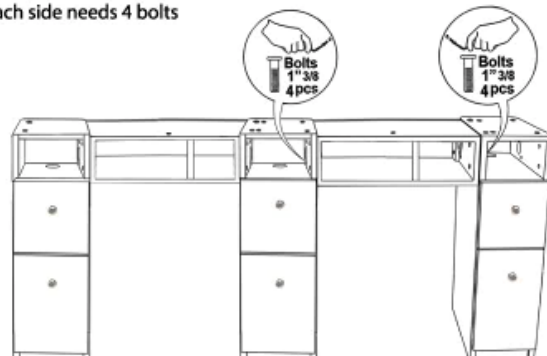


- _ Install bolts on the inner side flap of the two side table (like in picture above)
- _ Each side needs 4 bolts

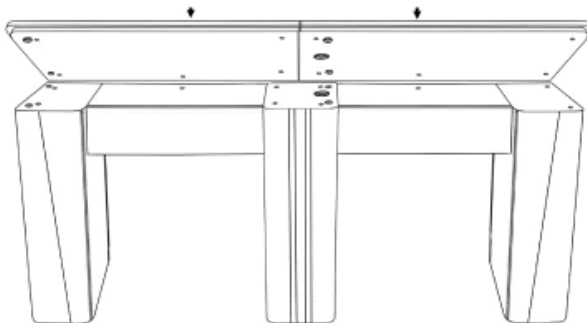


Step 4: Install Right table

- _ Place right side middle table to the right of the previous table
- _ Make sure right side drawer table fit in nicely.

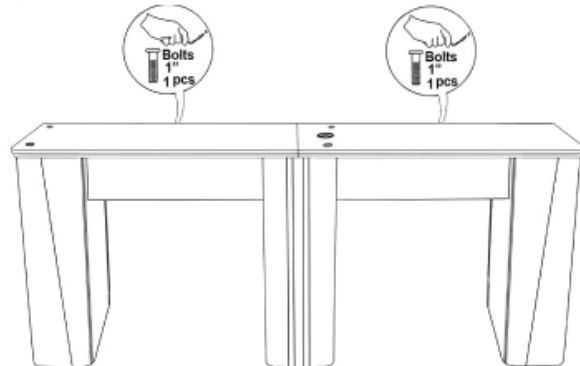


- _ Install Bolts on the inner part, on both sides of the table (refer to image above).
- _ Each side needs 4 bolts (1" 3/8 bolt x 4)



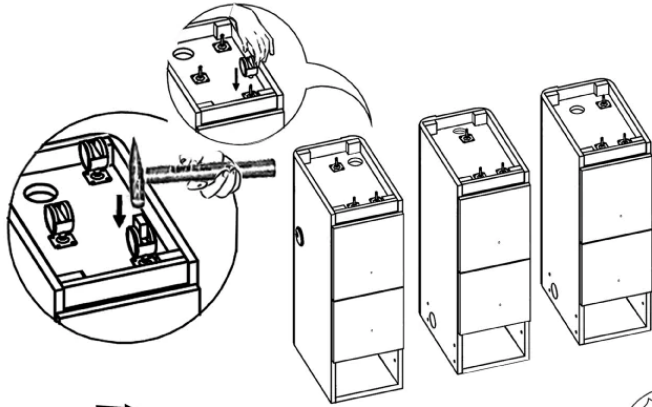
Step 5: Install marble tables

- _ Place nail table standing up, insert drawers then place marbles table down
- _ Install bolts on the inner part of the marble tables at each corner
- _ Each marble table needs 4 bolts (1" 1/4 bolt x 4)

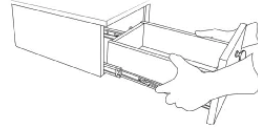


- _ Install bolts from the inside of the table onto the marble top (refer to image above)
- _ Each marble table needs 1 bolt (1" bolt x 2)

Double Nail Installation (with 1UV Hole)

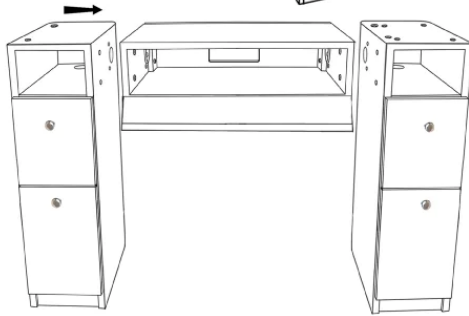


Step 1: Remove drawers from side table

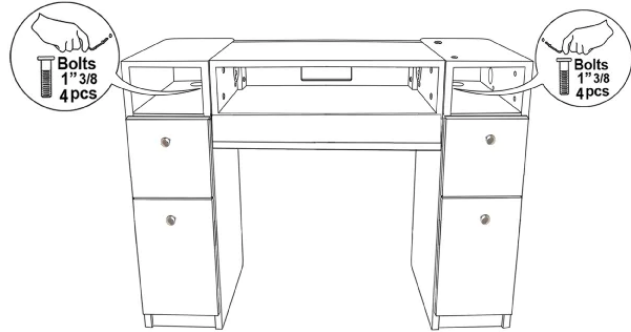


Step 2: Installing wheels

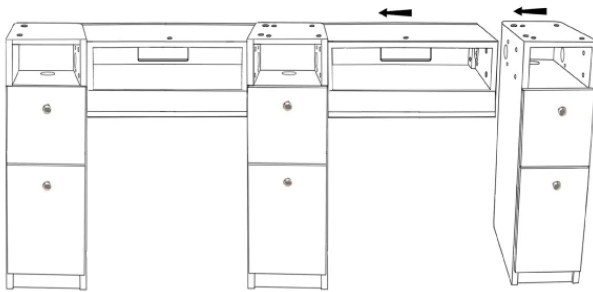
- _ Flip 3 tables with cabinets upside down
- _ Installing the wheels to its slot
- _ Place a small wood piece in between those wheels, use a hammer and gently tap until you hear a click.



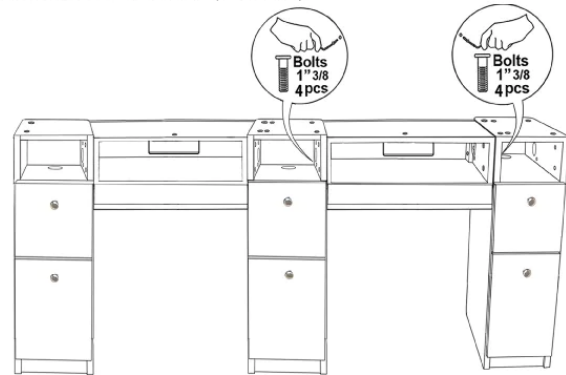
Step 3: Installing table with drawers
 _ Put together two side cabinet tables with the center table
 _ Making sure they both fit perfectly



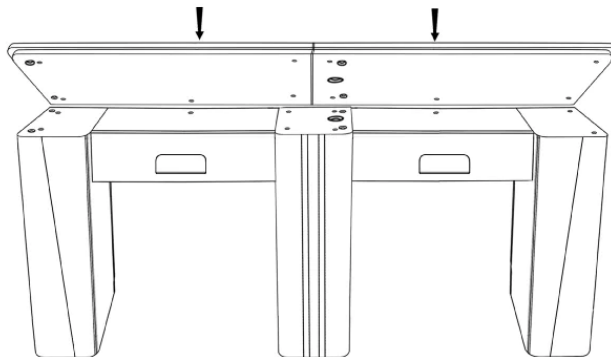
Install Bolts from the inner side flap of the two side drawer tables
 _ Each side need 4 bolts (1 3/8 x4)



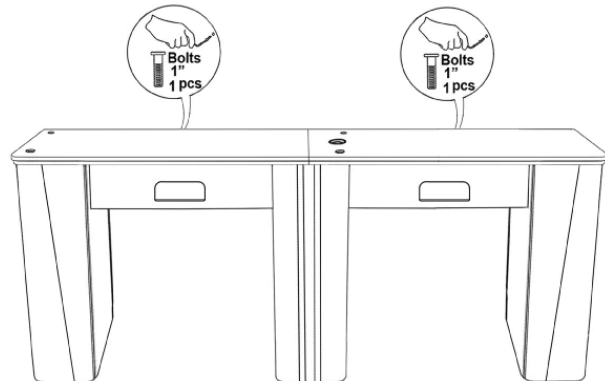
Step 4: Installing right drawer tables
 _ Install right side face table first then side table with cabinets after.



Install Bolts from the inner side flap of the two side cabinet tables
 _ Each side fit 4 bolts (1 3/8 x4)



Step 5: Installing marble top
 _ Return Nail table to normal standing position
 _ Insert drawers then place marble table on top
 _ Install Bolts from the inner side of the marble tables
 _ Each marble top fits 4 bolts (1 1/4 x4)

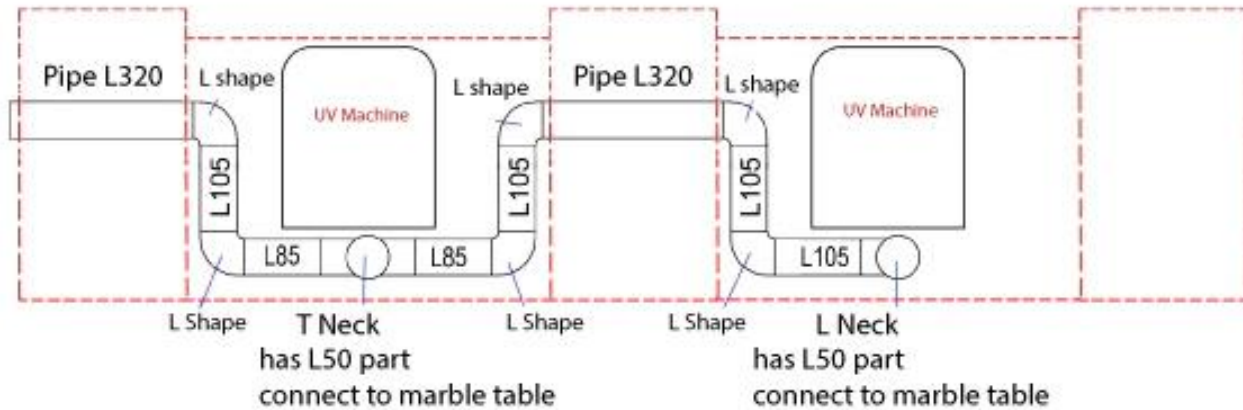


Install Bolts from the innerside of the marble table onto the marble top
 _ Each side fit 1 bolt (1 1/4 x2)

Double Nail Pipe Installation

(Install UV machine first then install the pipe)

1st Method: Left pipe installation



2nd Method: Right pipe installation

