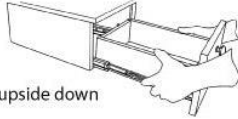


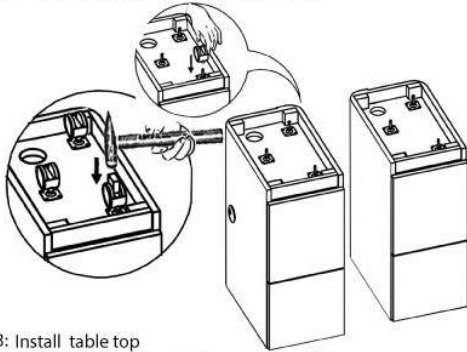
NAIL TABLE INSTALLATION

Step 1: Remove all drawers from table



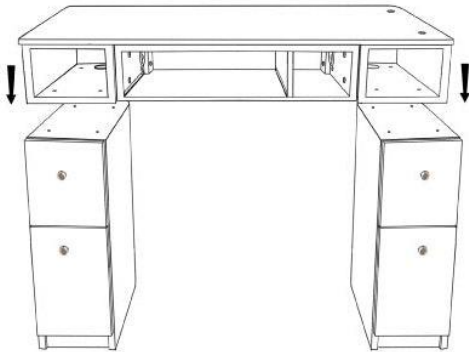
Step 2: Install Wheels

- _ Flip table with draws and cabinets upside down
- _ Installing wheels into its slots
- _ Proceed to place a wooden peice in between the wheel gap
- Gentle tap with a hammer until you hear a "click"



Step 3: Install table top

- _ Return tables with cabinet to its upright position
- _ Make sure top section table align with side cabinets

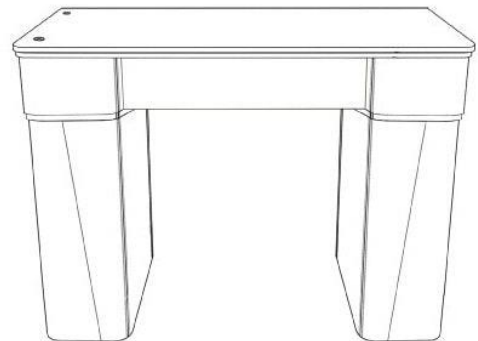


Step 4: Install Bolts

- _ Install bolts from the inside of the top table pocket down to the side cabinets
- _ Each side drawer pocket needs 4 bolt (1" 1/4 bolts x 8)

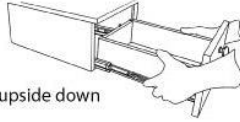


Step 5: Complete.



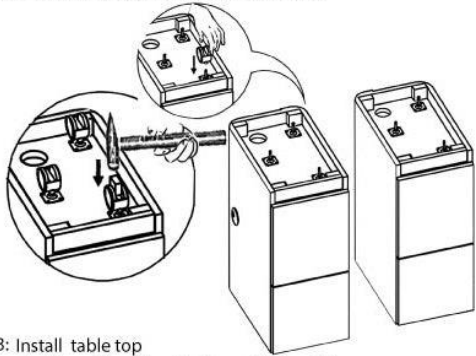
NAIL TABLE INSTALLATION

Step 1: Remove all drawers from table



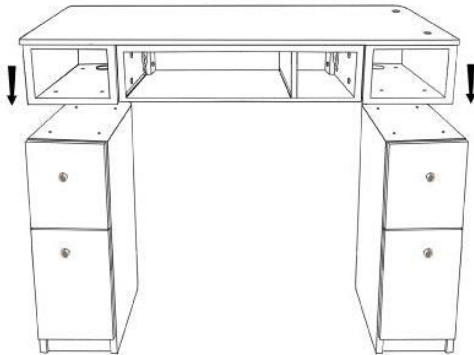
Step 2: Install Wheels

- _ Flip table with draws and cabinets upside down
- _ Installing wheels into its slots
- _ Proceed to place a wooden peice in between the wheel gap
- Gentle tap with a hammer until you hear a "click"



Step 3: Install table top

- _ Return tables with cabinet to its upright position
- _ Make sure top section table align with side cabinets

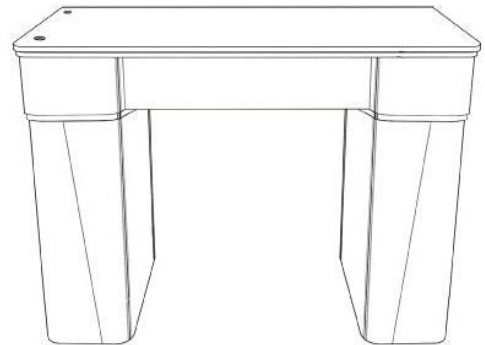


Step 4: Install Bolts

- _ Install bolts from the inside of the top table pocket down to the side cabinets
- _ Each side drawer pocket needs 4 bolt (1" 1/4 bolts x 8)

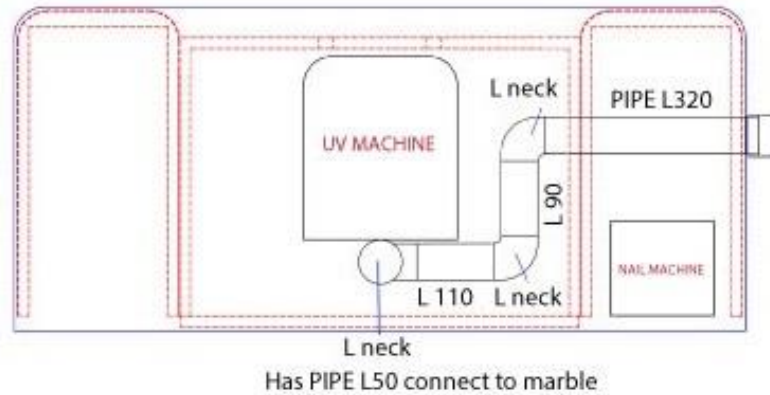


Step 5: Complete.



NAIL TABLE'S PIPE INSTALLATION

(INSTALL UV MACHINE FIRST BEFORE PIPE)



- | | |
|-------------------|------|
| Connect Pipe L320 | : x1 |
| Connect Pipe L90 | : x1 |
| Connect Pipe L110 | : x1 |
| Connect Pipe L50 | : x1 |
| Cover Lid | : x1 |
| L neck Pipe | : x3 |