

## 1. DRAINAGE AND HOT/CODE WATER SUPPLY SYSTEM

NOTE: The drainage and water supply system installation requires a licensed plumber. Detailed instructions can be found in the manual book. Instructions and local plumbing codes need to be carefully compiled to pass the city inspections.

**New constructions:** drain a good amount of water in a bucket to remove all debris from the new hot/code water pipes before connecting to new SPA chairs (figure 1).

**Replacement Spas:** Make sure to use new hot/cold water hoses to replace old ones before installing a new Spa chair. The old debris, rubber, or plastics could clog the water inlet system.

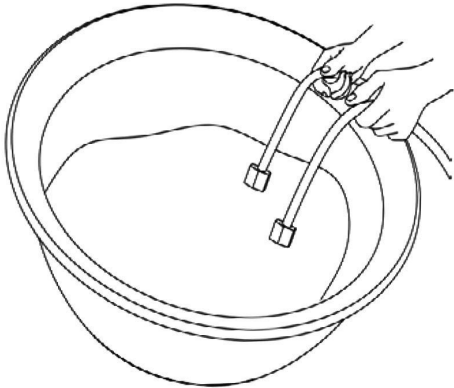
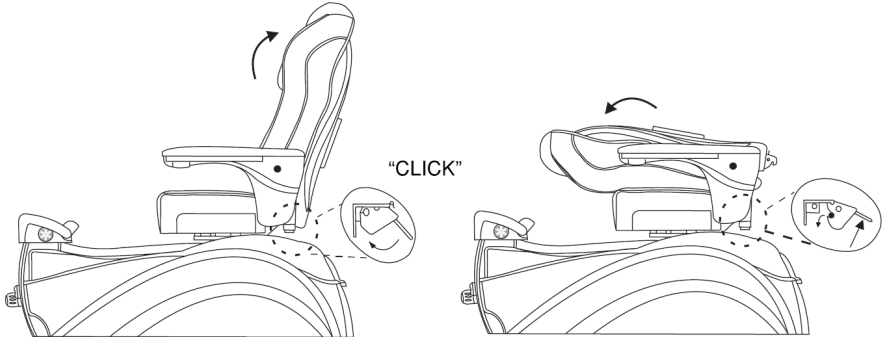


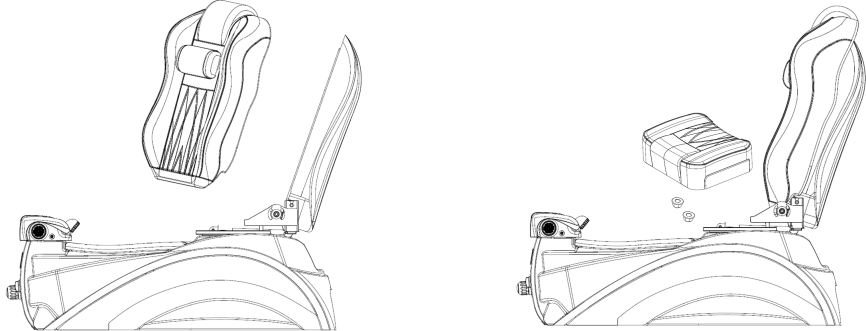
Figure 1. Drain water to remove debris before installing new Spa chair.

## 2. FOLD & UNFOLD CHAIR SEATBACK



To unfold the seatback, slowly raise the back until hearing the "click" sound. Make sure the seatback is secure before operating.

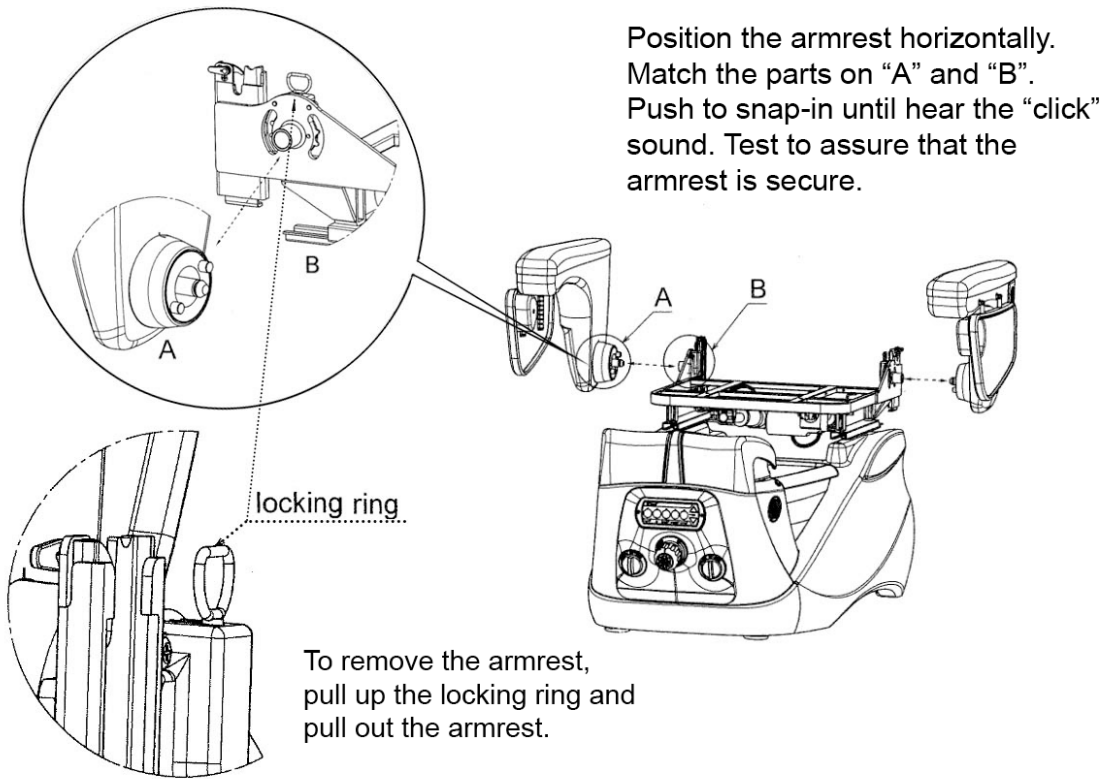
To fold the seatback, lift up the lever while slowly folding the seatback down.



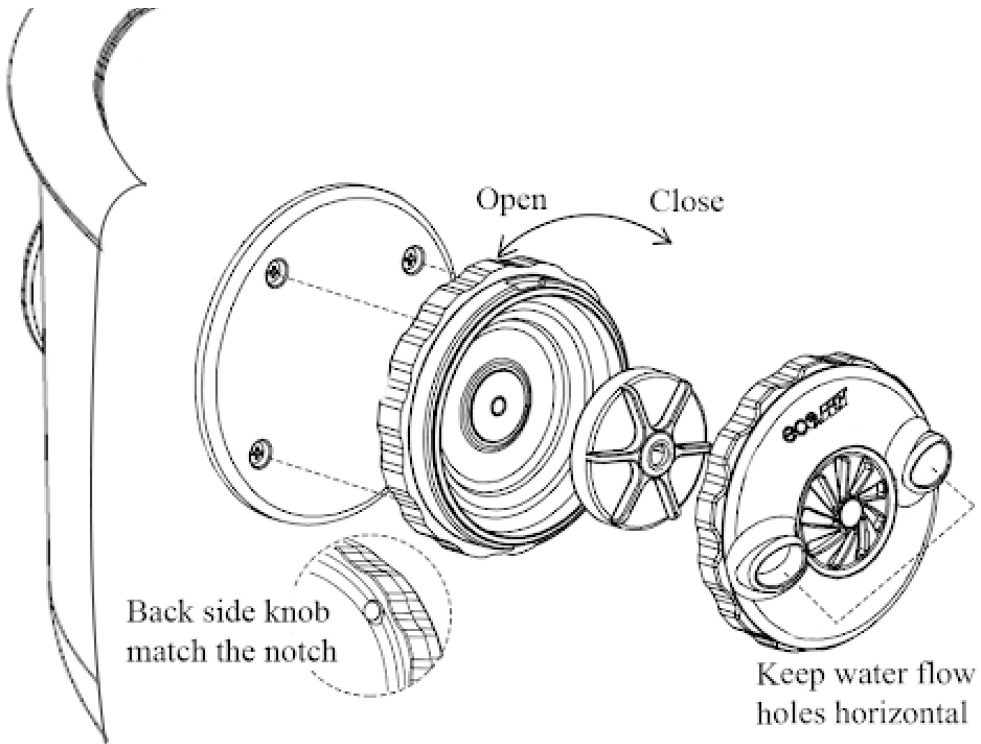
Align the back cushion to fit on the back shell. Push the cushion firmly onto the VELCRO straps.

Align the screws to the holes on the seat frame. Put the seat cushion onto the frame. Then use the provided screws to secure the seat.

**3. ARMREST INSTALLATION**



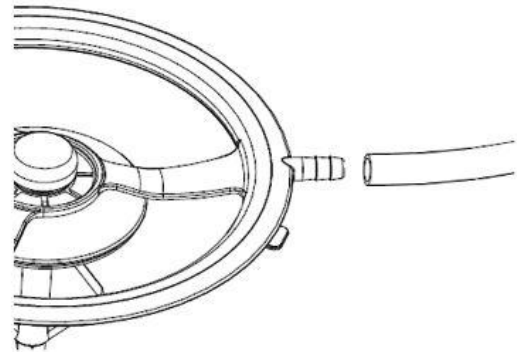
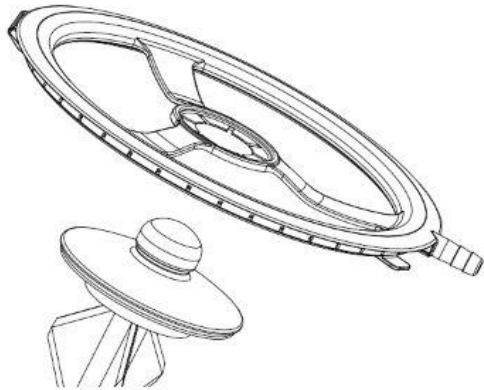
**4. Setup the Eco-jet**



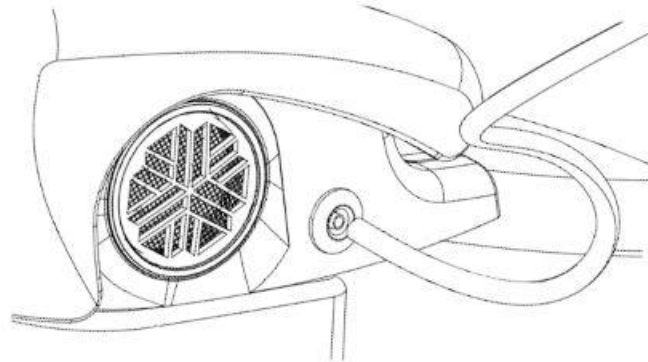
**5. Setup the Air-jet**

Clip the Air-ring onto the drainstopper

Connect the silicon pipe to the outlet



connect the other end of the pipe to the connector



**6. DIGITAL CONTROL SYSTEM: Operating Instructions**

Eco-jet On/Off

On/Off LED light  
-Default: auto-rotate all colors  
-click to secure selected color

Temperature Gauge  
-check manual book for how to change the default setting



Chair Position  
← → Backward/Forward  
↖ ↗ Recline/Incline

Air-jet On/Off      Massage On/Off

## 7. AUTO OPERATION Auto-Fill™ MODEL

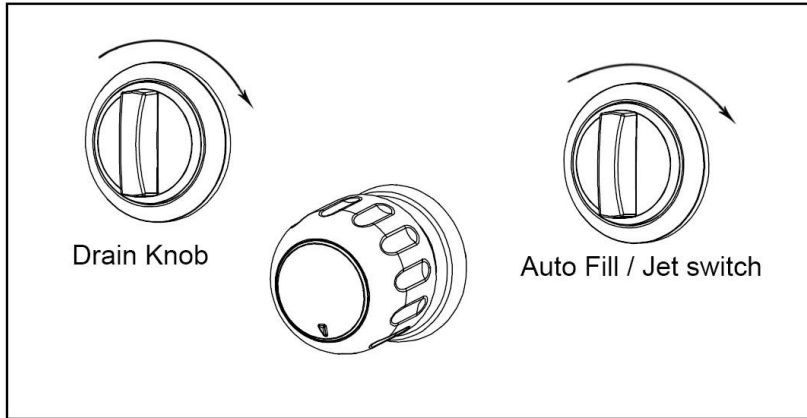


Figure 2. Auto Fill and Drain switch

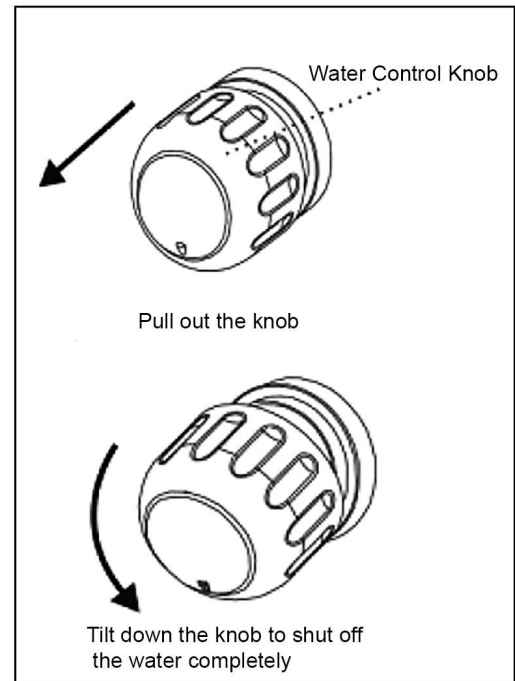


Figure 3. Water control knob

1. Twist Auto Fill/Jet switch clockwise then release to start auto-fill. Water automatically shuts down when it reaches the preset water level.
2. Twist Auto Fill/Jet switch clockwise then release to manually shutdown the water filling manually.
3. The Eco-jet starts automatically when the water level is up.
4. Twist drain knob clockwise to start draining. Twist it back when the draining is done.

**\*\*\* Water control knob is on by default. Follow the steps in figure 3 to shut down the main valve at the end of the day or when unattended to prevent risks of water damages.**



Function works when water level meets requirement, otherwise the screen will "dry", jet won't turn on.

- By default, Eco-Jet automatically turns on when the water level is up. To turn off the Eco-Jet manually, click the "Whirlpool button" on the digital control panel.

**\*\*\* DO NOT DRAIN WATER WHEN ECO-JET IS RUNNING, OR THE DEVICE WILL BE BURNT OFF.**