



## INSTRUCTION MANUAL



Model Number  
HUA-KLMP-9200



AYC Group LLC  
1036 S Jupiter Rd | Ste 200  
Garland, TX 75042  
Email: [service@aycllc.com](mailto:service@aycllc.com)  
[www.aycllc.com](http://www.aycllc.com)

Thank you for purchasing our Keen LUNA LED Floor Lamp.  
To get the best results please read the following instructions carefully.



## INSTRUCTION MANUAL

Thank you for purchasing the LUNA LED lamp. It is designed to maximize the quality and comfort of your work. The manufacturer shall not be liable for any injuries caused by failing to follow the instructions in this manual.

### SPECIFICATIONS

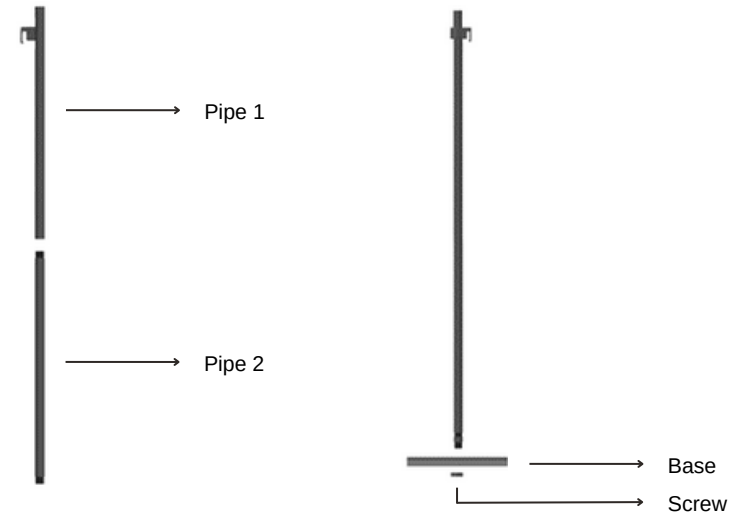
Keen LUNA LED Floor Lamp  
Model No.: HUA-KLMP-9200  
Voltage: 110V/240V 50Hz/60Hz  
Power: 36W  
Color Temperature: 6000K  
CRI: RA>85  
Luminance: 2000lm  
Arch Dimension: 30" (Diameter) x 13.8" (Height)  
Stand Max. Height: 70" H  
Material: Aluminum Alloy

### CAUTIONS

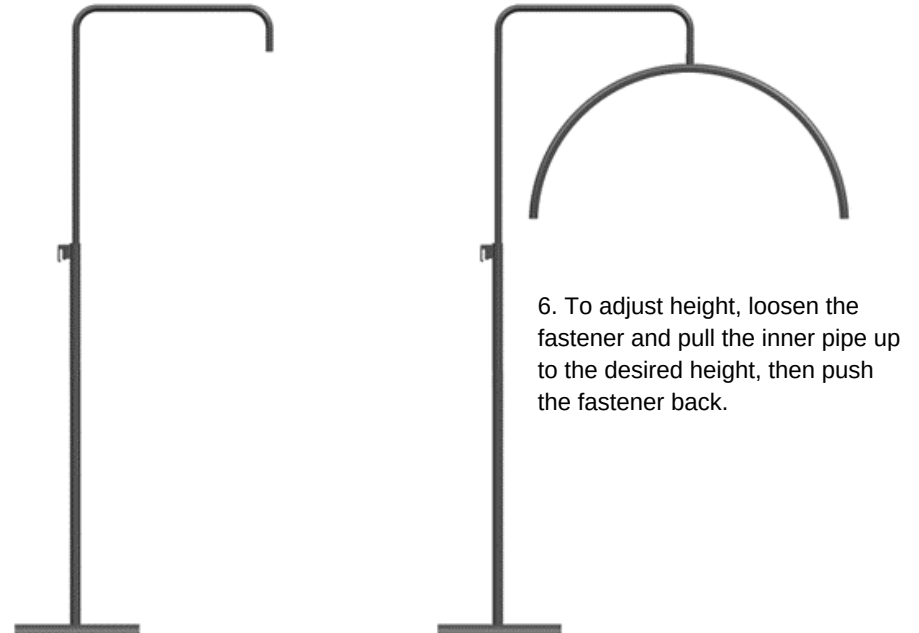
- Do not operate the device if:
  - The electrical cord or plug is damaged
  - The unit is not working properly
  - The unit has been dropped or damaged in any manner
- Avoid hanging the cord over a counter or table where it can be pulled by children or tripped over unintentionally.
- Keep the cord away from heated surfaces.
- Unplug the device when not in use. Allow to cool before handling, cleaning, or storing.
- Clean with dry cloth only.
- Use of attachments or adaptor not approved or provided by the manufacturer may cause hazardous conditions.
- The unit is only to be repaired by a qualified technician when found defective.

### TO ASSEMBLE AND OPERATE

- Carefully remove the parts from the packaging: including one lamp, one base, 3x assemble pipes, 1x screwdriver, 1x screw, 1x adapter
- Connect the two pipes.
- Use a screwdriver to connect the pipes to the base, and tighten it.



- Assemble the bent pipe on the top
- Assemble the lamp to the stand.



- Plug in, press ON to turn on the lamp, press OFF and unplug after use.