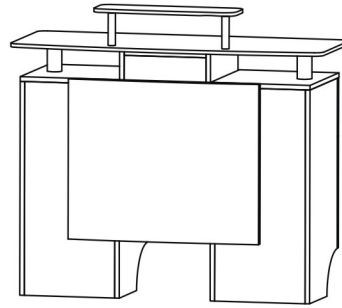
















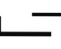
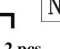
ASSEMBLY INSTRUCTIONS

Glass Top Reception Desk

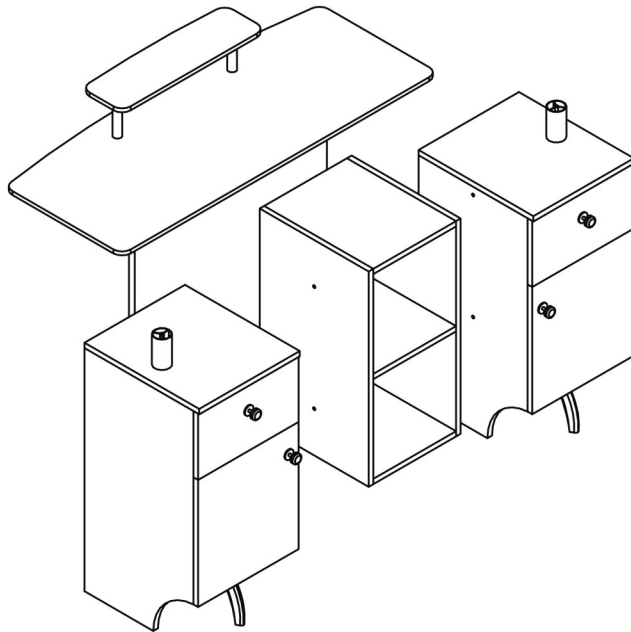
ITEM NO.:DP-3313



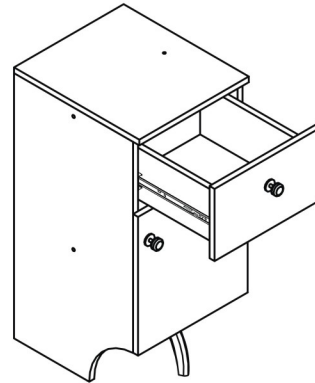
PARTS LIST:

B  14 pcs	A  8 pcs	C  8 pcs	D  4 pcs	E1  8 pcs	E2  8 pcs	F  4 pcs	G  4 pcs	H  2 pcs	
I  2 pcs	J  2 pcs	K  2 pcs	L  2 pcs	M  2 pcs	N1  2 pcs	N2  2 pcs	Allen Wrench Tools		

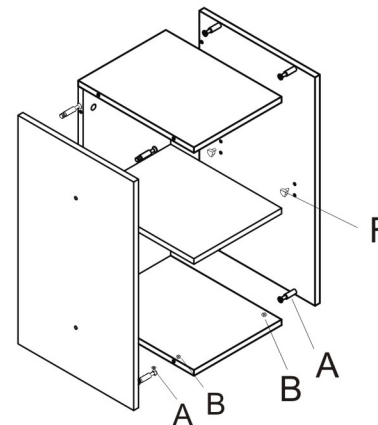
EXPANDED VIEW



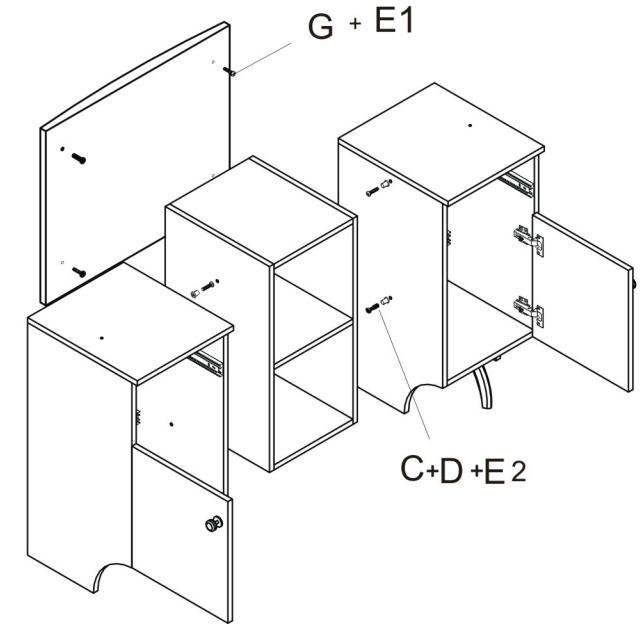
STEP 1:



STEP 2:



STEP 3:



STEP 4:

