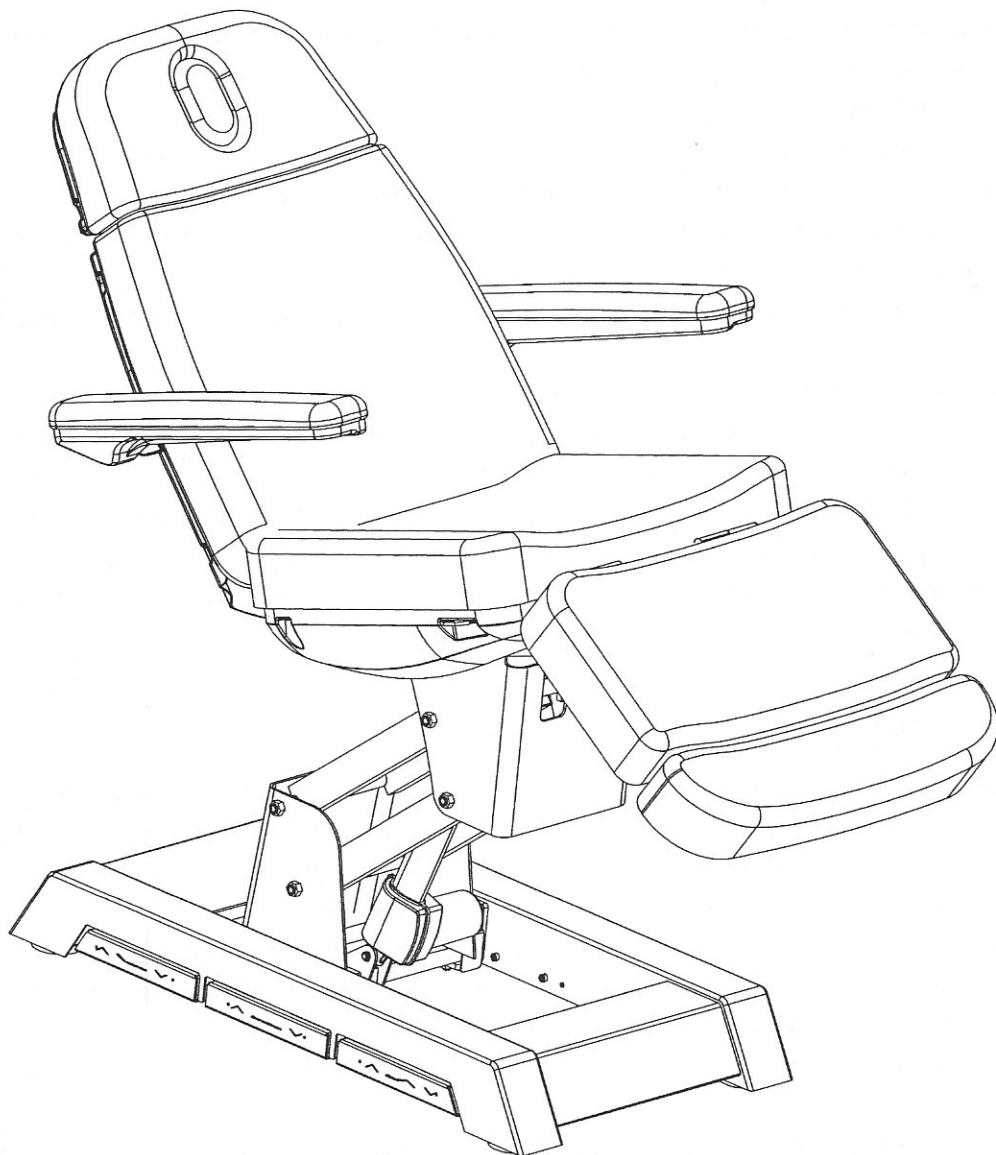


2220/2220B/2220D
Electric Beauty Bed

User Manual



Welcome to use our 2220 series Electric Beauty Bed
Please read the user manual carefully before using the bed.

1. About This Manual

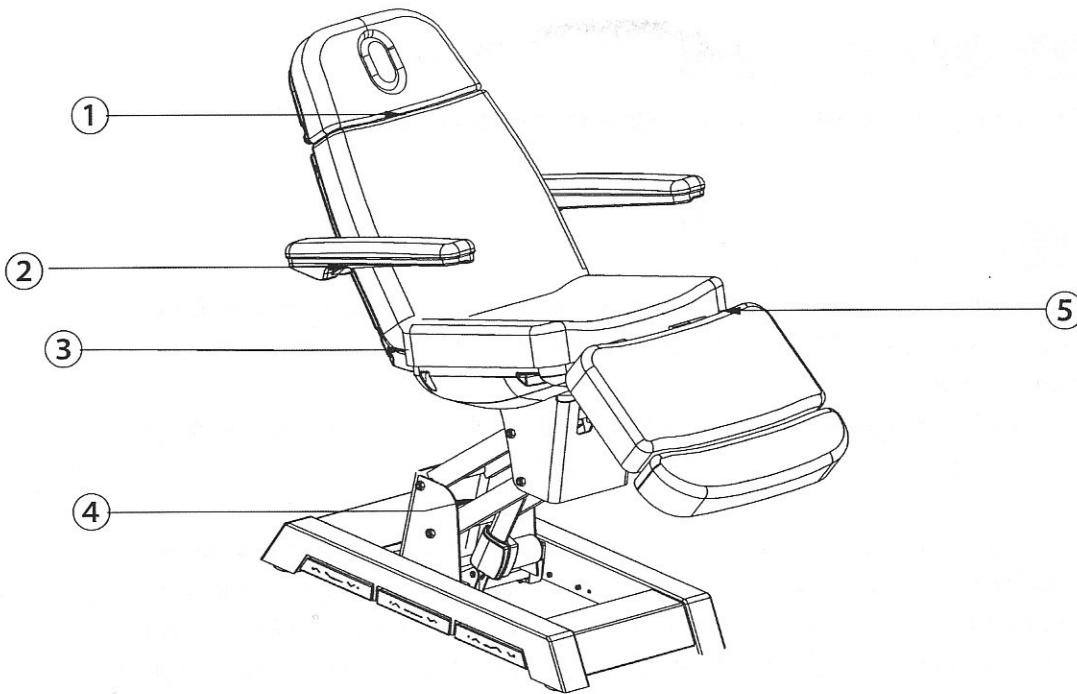
This manual shall only be used for the reference of operation of this particular model. If the manual is used for other purposes, SilverFox will not undertake any according consequences and responsibility. All information of this manual shall be protected by copyright and shall not be copied and translated in any part of this specification without the written consent of our company SILVERFOX.

2. Warning

- Power supply must be cut off when changing electrical components or maintaining and cleaning machines.
- The plug must be plugged into an outlet that is properly installed and grounded, to prevent the risk of fire and electric shock.
- Do not stand on this equipment.
- Do not allow children to play with and place the equipment in a place where children can avoid touching; Please adjust the backrest to the highest position when you leave.
- Please do not place the equipment in wet places such as bathroom to avoid electric shock or other failure; The remote controller should also avoid contact with water.
- Please do not place and operate the equipment in places where is painting/coating or providing oxygen during.
- Unless being monitored or instructed by personnel who can be responsible for their personal safety, the people who have physical obstacles, tactile disorders, mental disorders, lacking of experience, common sense or children, are not allow to use the equipment.
- Please contact distributor, service center or related personal with appropriate skill and experience for repairing if the plug is damaged, in case of any danger.
- Please make sure there is no accessible thing within the stroke during any operation of the beds.
- Operation should be processed by trained professionals.

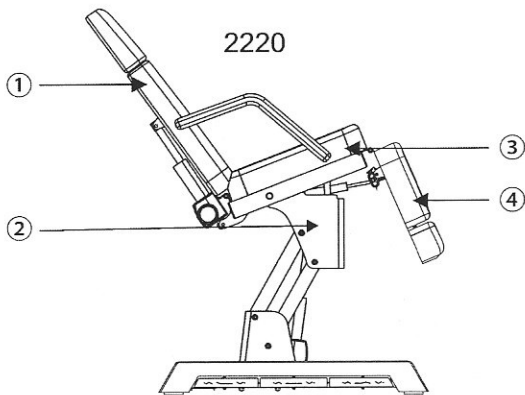
3. Precautions

- Read this manual carefully before installation, operation and adjustment. And please keep it well.
- This Electric beauty bed is equipped with a three-wire power cord. The power cord must be plugged into an three-hole outlet which is properly installed and grounded. This is not only to prevent the risk of electric shock, but also ensure bed work properly.
- When adjusting the backrest, seat cushion, footrest or lifting of the whole bed by hand controller or foot control switch, please keep your hands, feet and head away from the position 1.2.3.4.5 shown on below photo to avoid getting any injury.
- While controlling the lifting of the whole bed, the button must be pressed continuously until the bed be in a suitable position.
- Please pay attention that the input frequency should be Max 6min/h when operating the motor.
- Maintenance should be processed by trained professionals.
- After each treatment, please use neutral reagent to clear the dust, stains on leather or on plastic cover.

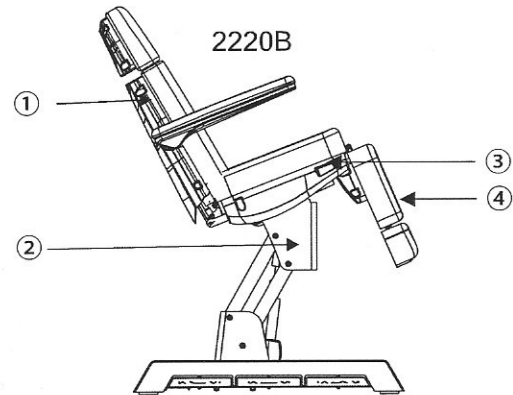


4. Structure of electric beauty bed

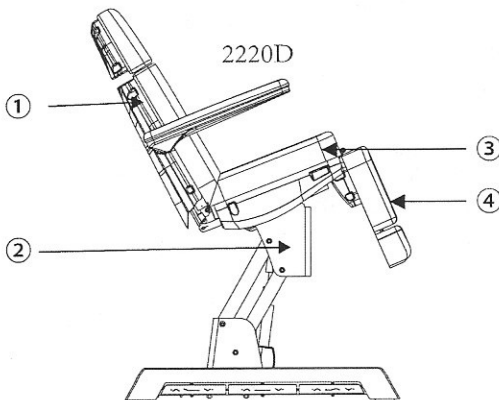
This Beauty Bed includes backrest adjustment, seat inclination and the lifting adjustment, footrest adjustment. (Details as shown below)



- ① angle adjustment of the backrest
- ② lifting adjustment of the whole bed
- ③ angle adjustment of the seat inclination
- ④ angle adjustment of the footrest (by manual)



- ① angle adjustment of the backrest
- ② lifting adjustment of the whole bed
- ③ angle adjustment of the seat inclination
- ④ angle adjustment of the footrest (by manual)



- ① angle adjustment of the backrest
- ② lifting adjustment of the whole bed
- ③ angle adjustment of the seat inclination
- ④ angle adjustment of the footrest

5. Serviceable range

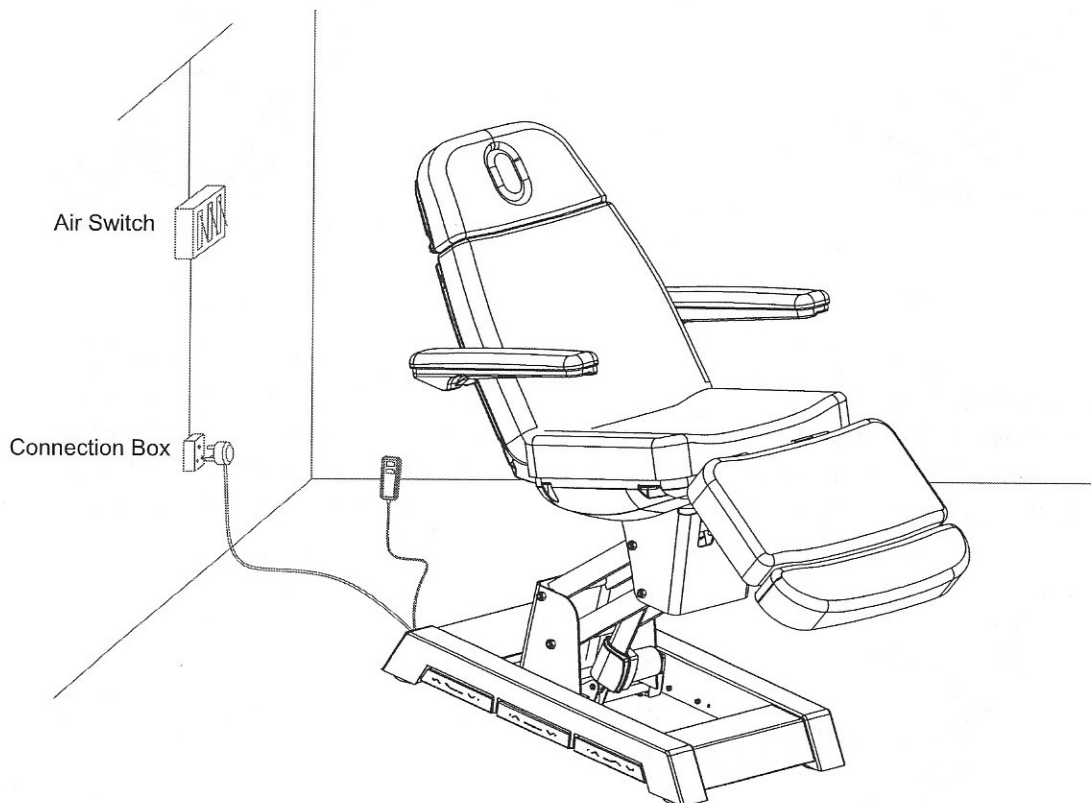
This electric beauty bed is suitable for beauty and massage treatment.

6. Installation

1. Put the bed to a proper location, according to the overall layout, the daylighting or artificial lightings and operation condition of the salon's or the home. And keep it in the clean, dry and cool operating environment.
2. Open the Packing Carton to check if the bed is intact and whether the accessories or spares are complete. Please contact distributor or us if there's any problem.
3. Installation

Place the bed to the proper position. Please note that it is unnecessary to install extra screw on the floor to fasten the bed, because the original design has taken the stability performance into consideration. But please ensure the bed is placed on a firm and flat ground, so as to prevent any accident. If the bed rotates or slant due to rough ground, you could adjust the four pieces of plastic feet (M10×30) and nuts (M10) by hexagon open-end wrench, which are fasten on the bottom panel, so as to ensure the bed is stable.

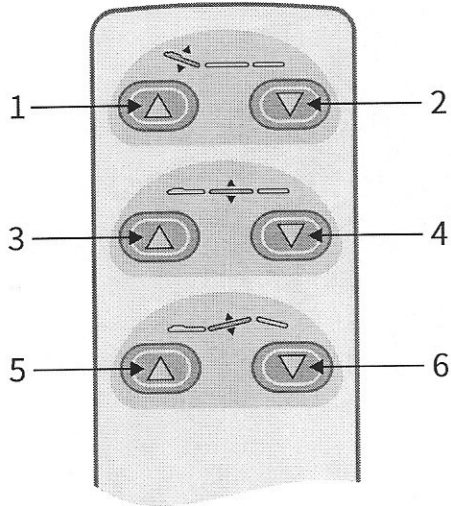
4. Plug the bed on the power supply properly. (Details as shown below)



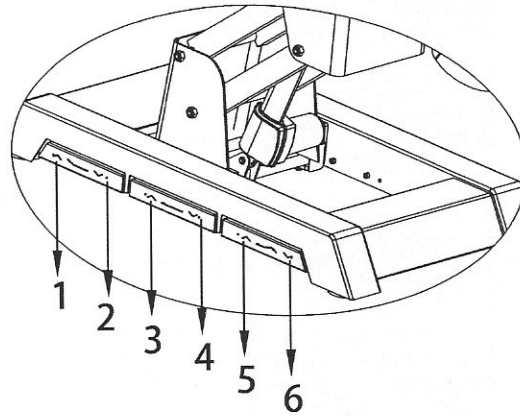
7.Operation Instruction

2220/2220B

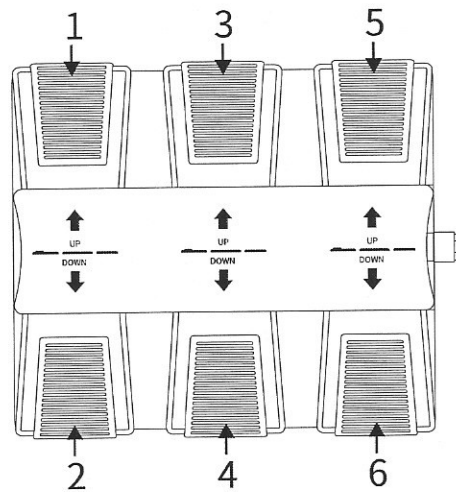
1.Standard Configuration
(Hand Controller)



2.Standard Configuration
(Foot Controller)



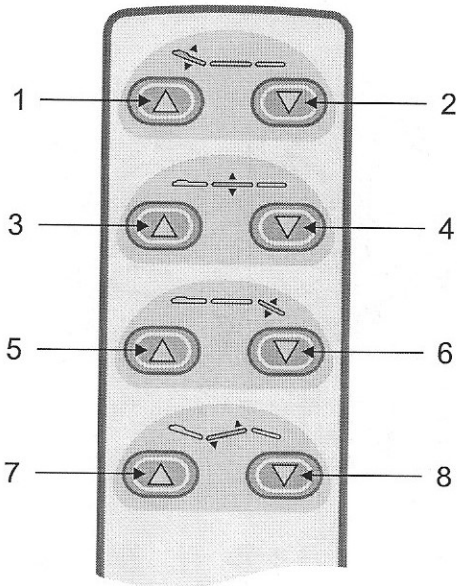
3.Optional Configuration
(Foot Controller)



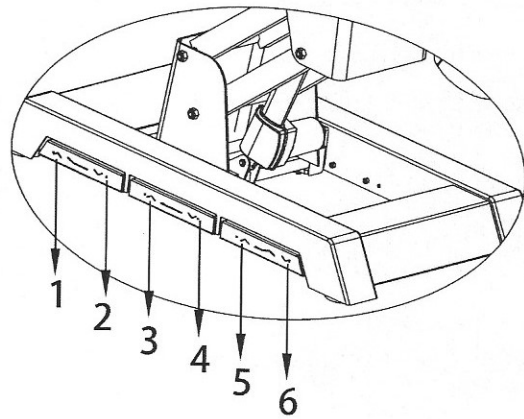
	Description	Operation
1	Backrest moves up	Backrest goes up smoothly by pressing the button
2	Backrest moves down	Backrest goes down smoothly by pressing the button
3	Bed moves up	The bed goes up smoothly by pressing the button
4	Bed moves down	The bed goes down smoothly by pressing the button
5	Seat inclination up	Seat inclining smoothly by pressing the button
6	Seat inclination down	Seat goes flat smoothly by pressing the button

2220D

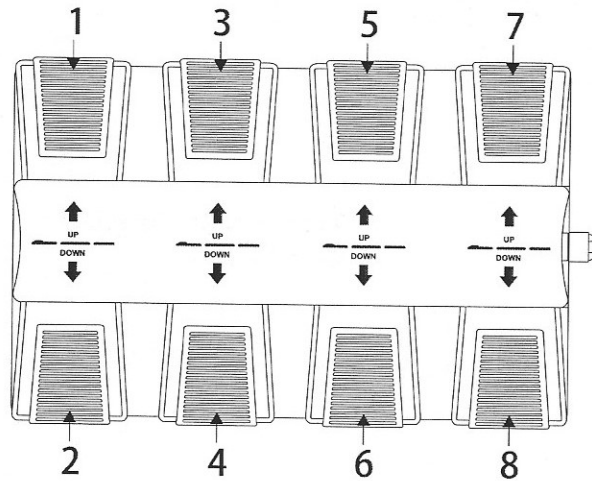
1. Standard Configuration
(Hand Controller)



2. Standard Configuration
(Foot Controller)



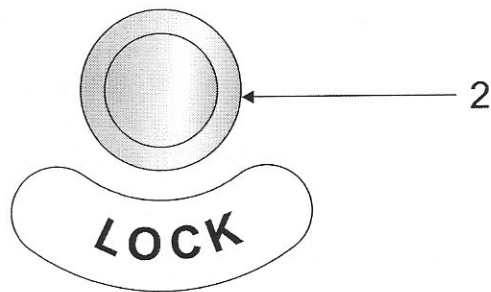
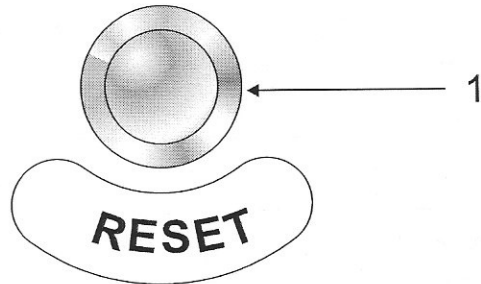
3. Optional Configuration
(Foot Controller)



	Description	Operation
1	Backrest moves up	Backrest goes up smoothly by pressing the button
2	Backrest moves down	Backrest goes down smoothly by pressing the button
3	Bed moves up	The bed goes up smoothly by pressing the button
4	Bed moves down	The bed goes down smoothly by pressing the button
5	Footrest moves up	Footrest rises smoothly by pressing the button
6	Footrest moves down	Footrest downs smoothly by pressing the button
7	Seat inclination up	Seat inclining smoothly by pressing the button
8	Seat inclination down	Seat goes flat smoothly by pressing the button

8. Operation Instruction

1. Standard Configuration

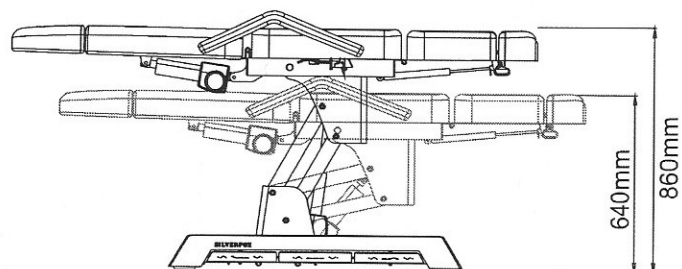
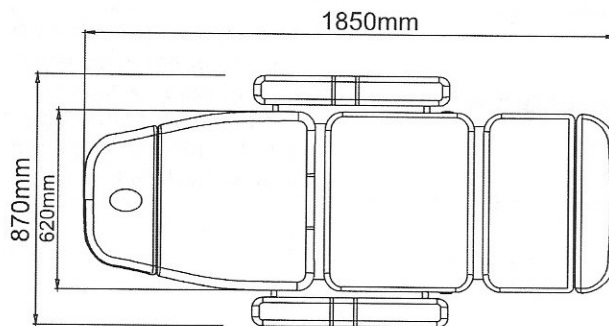
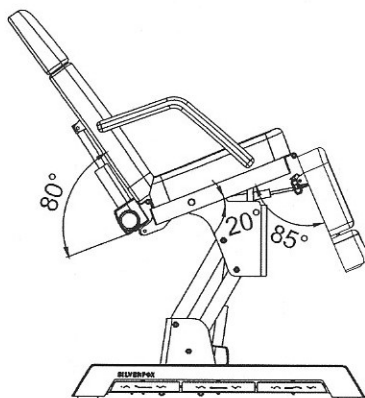


	Description	Operation
1	One-key reset button	Press the button, the backrest angle will automatically move to the maximum, the cushion angle will automatically move to the maximum, leg pad angle will automatically reduce to the minimum, the height of the bed will automatically reach the lowest position.
2	Safe-lock button	Long press the "safe-lock button" for about two seconds, lighting up the green light around the button, all the keys except the safe-lock button can not be operated. Long press the safe-lock button again for about two seconds, and the green button lights go out, all the keys return to normal operation status.

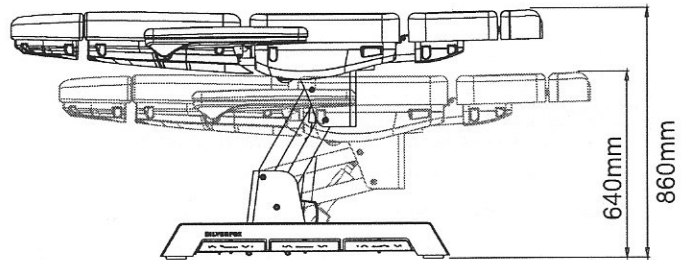
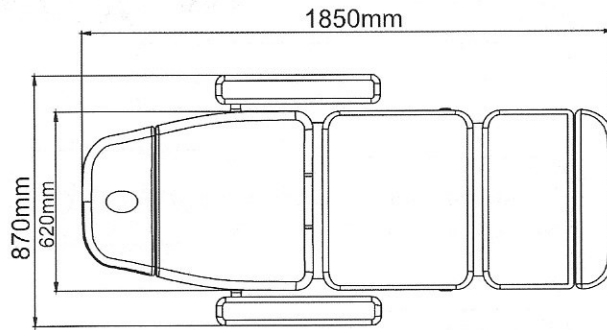
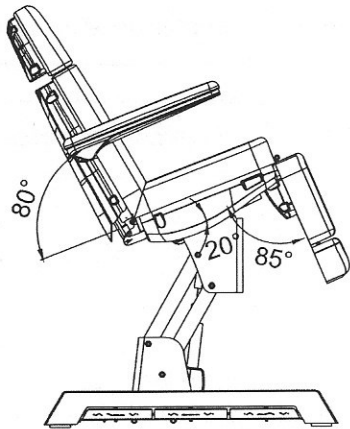
9. Technical Parameters

Product size	1850(L) x 870(W) x 640(860) (H)mm
Package size	1280×690×670mm
The highest position	640mm
The lowest position	860mm
Angle adjustment of the backrest	0°~+80°
Angel adjustment of seat inclination	0°~20°
Net weight	2220 93.2kg/2220B 90kg/2220D 92kg
Gross weight	2220 96.2kg/2220B 103kg/2220D 105kg
Power	AC 100-120V or AC 220-240V or AC 100-240V,50/60Hz
Maximum power	300W
Environment temperature	0°C~+40°C
Relative Humidity	30%~90%
Lifting Rated Load	175 kg

code: 2220



code: 2220B/2220D

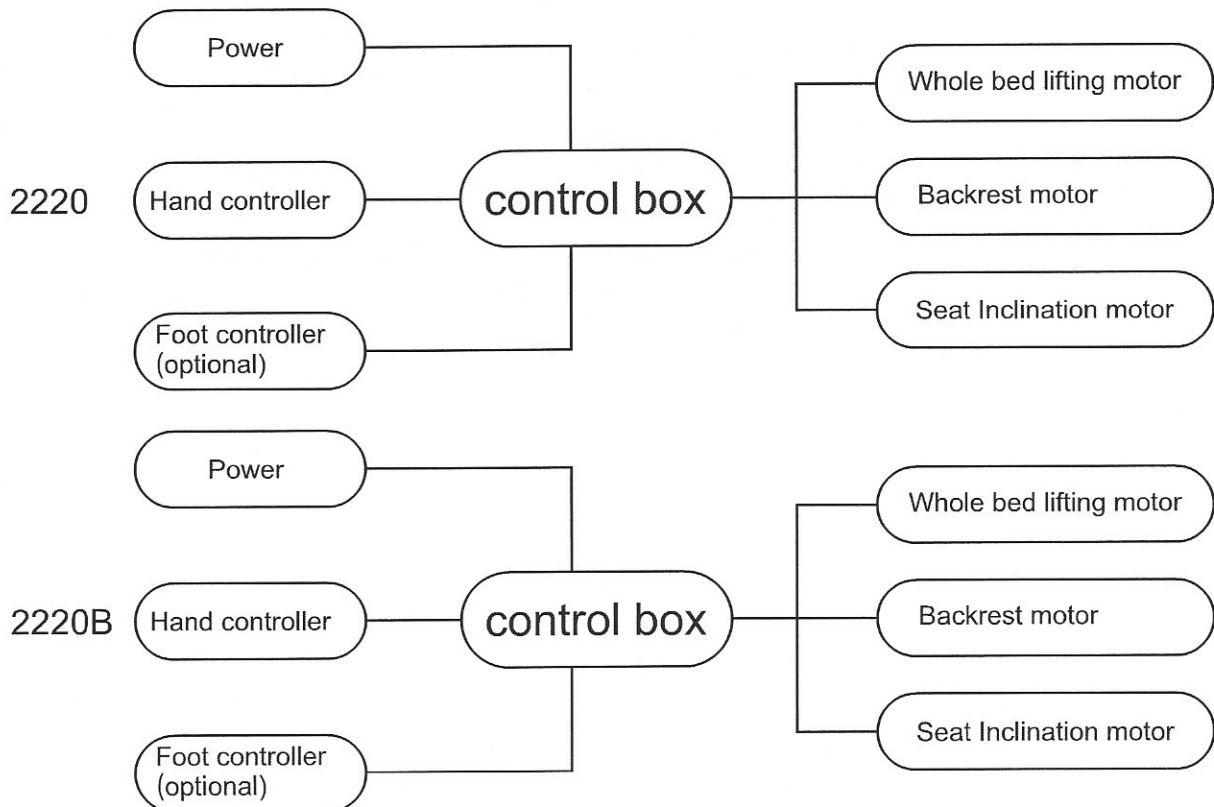


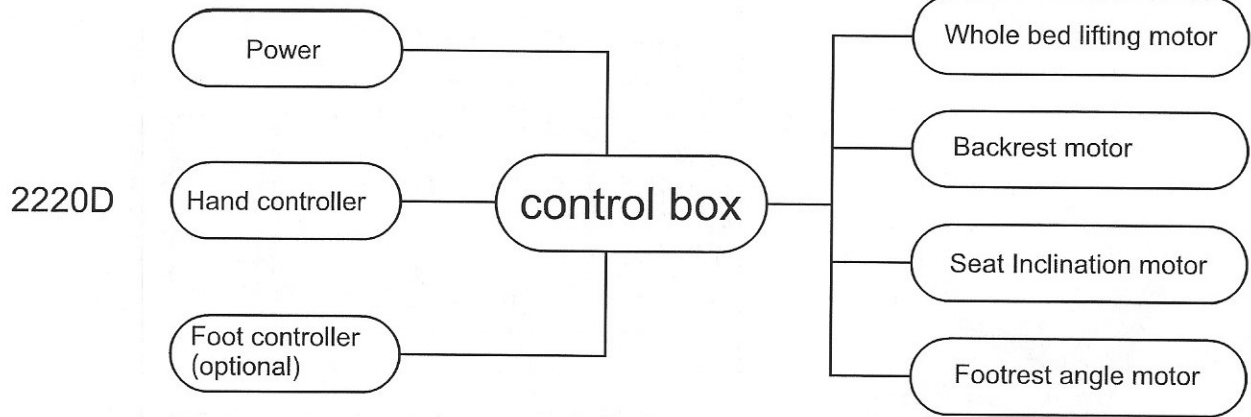
10.Maintenance

After every treatment, please use neutral reagent to clear the dust, stains on leather or the plastic cover. This is to prevent premature aging of the leather and plastic cover.

Please lubricate the moving parts regularly (once a year)

11.Circuit system connection diagram





12. Troubleshooting

The fault phenomenon	Reason	Solution
Can't go up or down normally	1. The power cord is unconnected or not plugged well	1. Connect the power cord or plug it well
	2. Poor quality of the hand controller	2. Replace the hand control panel
	3. Poor quality of the foot control switch	3. If problem is still not solved after replacing the hand controller or foot control switch, please contact maintenance center or supplier to clear the trouble.
	4. Poor quality of the control box	
	5. Rupture of motor tail	
	6. Motor damaged	
Abnormal sound	1. The rotating parts lack of lubricating oil	1. Add lubricating oil
	2. Rotating position (such as hinge, P, O, M sets) Lack of lubricating oil	2. Add lubricating oil
	3. Motor quality problems	3. Replace the motor



Do not dispose of old or defective appliances in domestic garbage;
this should only be done through public collection points.

Please check and verify products specifications before use and this
manual is only used for reference. The product specifications will be
subjected to be changed or updated without further notice.

