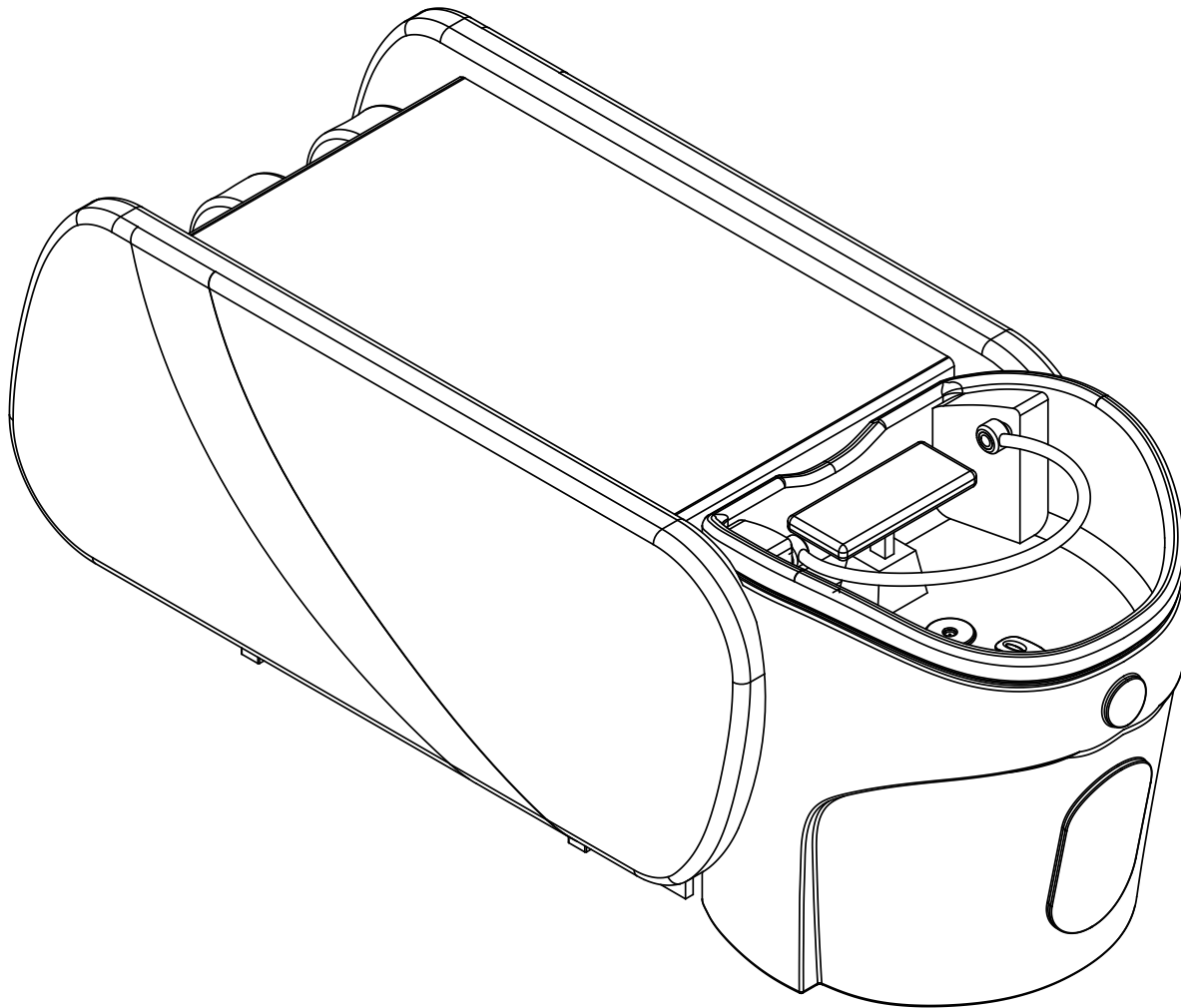


# XF-401

## Product Instructions/User manual



**\* Please read the instructions carefully before using the product.\***

This manual provides detailed instructions for the operation and maintenance of the equipment. Please learn before using, and use according to guidance. Save this manual to ensure that all potential users of the equipment get familiar with it before using it.

---

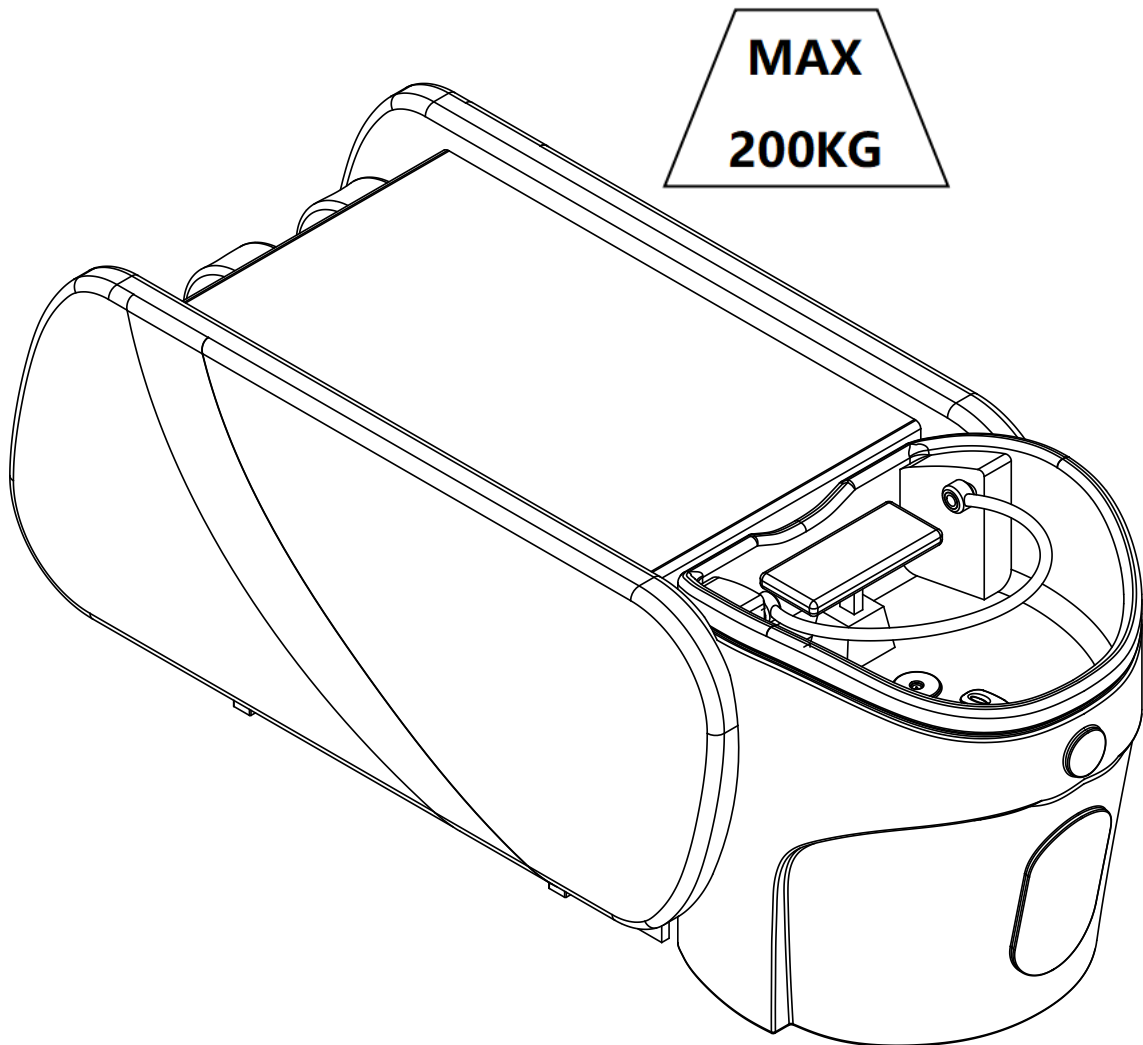
# Contents

Product Load Bearing.....	P3
Notice when receiving the goods .....	P4
Function Introductions .....	P5
Warning and Precautions .....	P6
Installation Guide .....	P7-8
Remote Features .....	P9
Precautions for Cleaning and Disinfection .....	P10
Maintenance and Maintenance Measures .....	P11
Common Troubleshooting .....	P12
After-sales Service .....	P13

---

## **Rated Bearing:200KG**

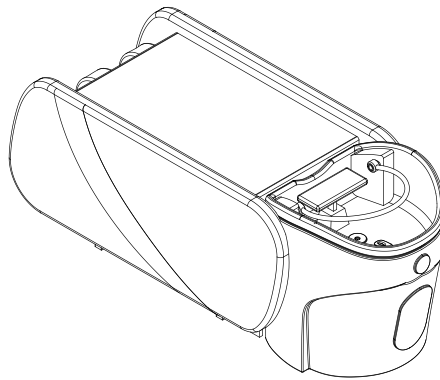
Do not load more than the weight of the bed. Do not jump directly onto the bed as not to damage its structure.



## Notice when receiving the goods

We pack our products with cardboard boxes of 5-layer paper and wooden frame in total , which can provide good protection for your products. We strongly recommend that you keep the original packaging for future use, especially for returns during the warranty period.

For your safety, two people are needed to lift the shampoo chair out. When lifting it out, one person stands on the head of the bed while another person stands on the end of it. Remember that it can only be lifted from its head and end, not from both sides of the armrest.



Please check if the package is intact or undamaged during transportation before using it. If any problem occurs please inform the transportation company or after-sales personnel within 2 days after receiving the good.

Make sure that all fittings are complete at the time of delivery. If any spare parts missing please contact the after-sales department in time.

The Chair should be used in a normal and dry environment where temperature is between + 10° - 40° and the relative humidity is between 30° - 75°. If any possibility that the Shampoo Chair will be exposed under a temperature below 0°, please adjust the indoor temperature to the appropriate room temperature for at least 5 hours before using.

Please learn the following instructions before using:

- (1) make sure all packaging materials have been removed.
- (2) make sure the Shampoo Chair can move up and down freely.
- (3) make sure the Chair is placed where it is needed.

**Kind reminder! Children or inexperienced people can not use the Shampoo Chair. Please read the instructions first. Children shall be kept away from playing around the Chair.**

---

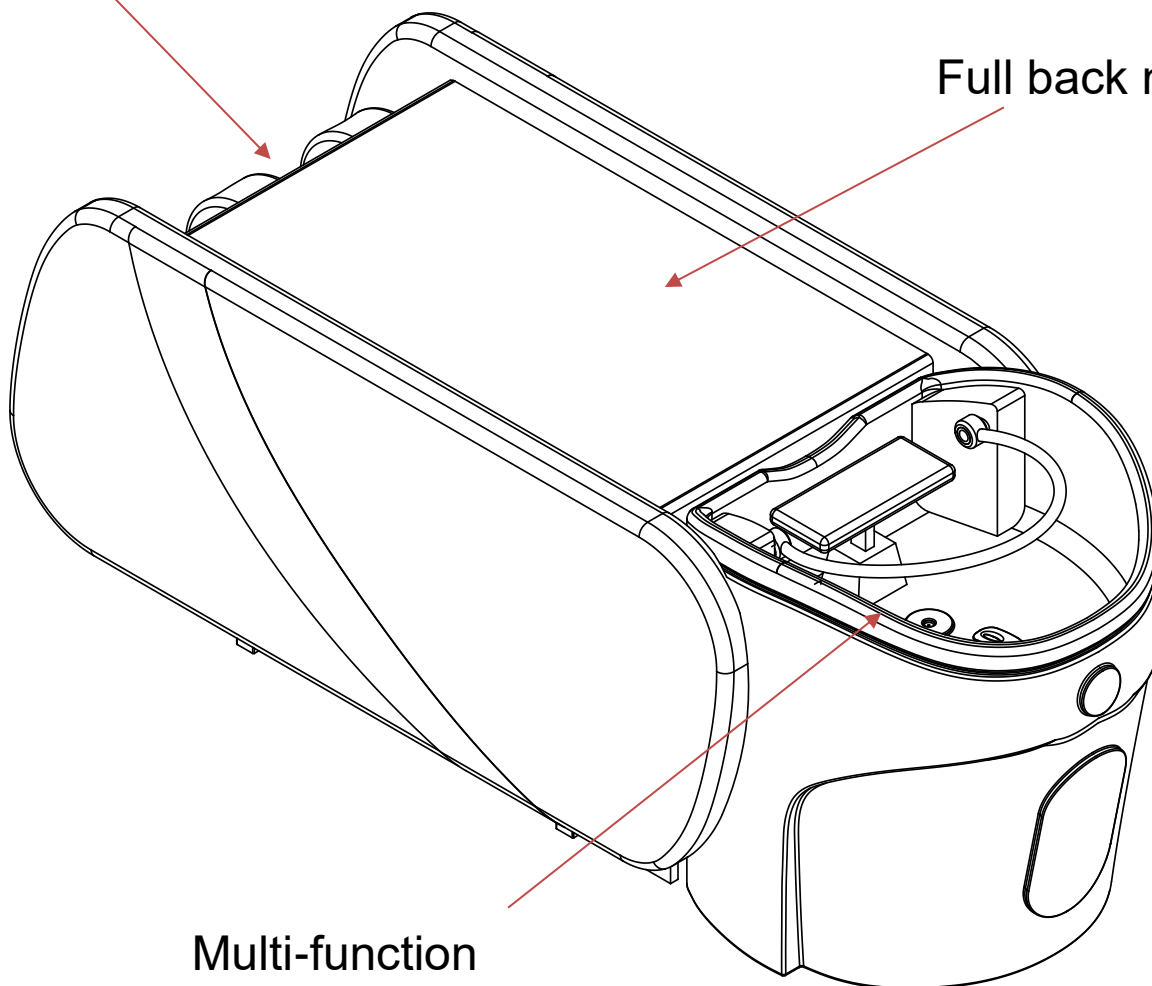
## Introductions of DP-XF-401

**DP-XF-401** shampoo chair is suitable for head spa studio and can be used for Head and Neck massage therapy and Body project. It is designed for people to lie comfortably on the bed for massage or Body project. With automatic massage function.

## Function Introductions

Leg airbag massage

Full back massage



Multi-function  
ABS Plastic Basin



## Warning and Precautions

Before using your new shampoo chair, please read and observe these safety instructions

carefully to reduce the possibility of fire or injury.

1. Be sure use matching power socket for the chair.
2. Please insert the plug completely into the socket, or else a fire or electric shock may occur.
3. Unplug the power after each use and when cleaning the chair.
4. Please do not use this chair in the places with direct sunshine, high temperature or moisture.
5. If the power fails in the using process or abnormal shut-down, please Power Off and Unplug in case of any accident occur.
6. If the power wire have been damage or damp DO NOT use the chair.
7. If there are children, disabled around the chair when operated, someone must be represent.
8. Do not move the chair when operating.
9. Please make sure the cushion and under fabric to be well care for before each use, if there is any broken or tear down, do not use the chair and contact our after sales service.
10. Do not use spare parts supplied by other companies, avoiding any damage and accident.

## Installation Guide

Note: One chair 2 packages, seat chair and basin. The machine is heavy 2 to 3 people are requested to assist when you do the installation. Please follow the steps for the installation guide bellow.

### Step 1 :

Unpack both of the basin and seat chair, and place on a sturdy and level location.

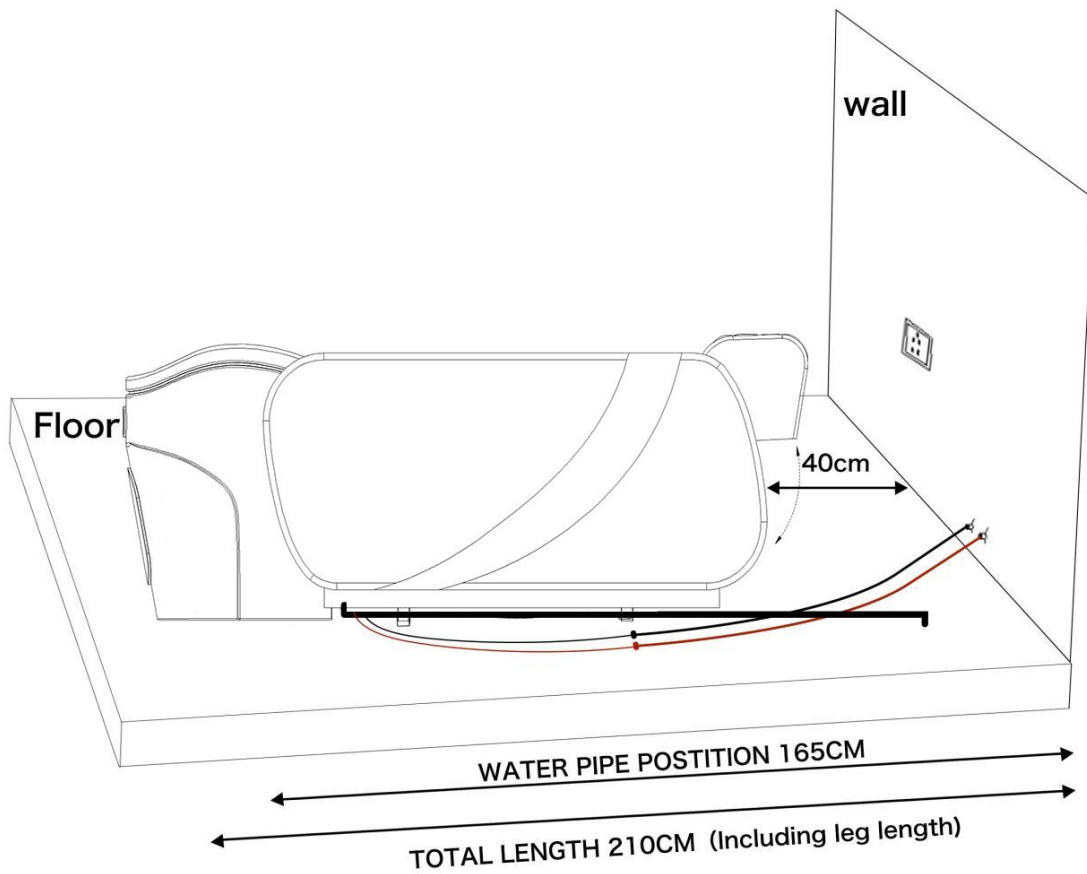
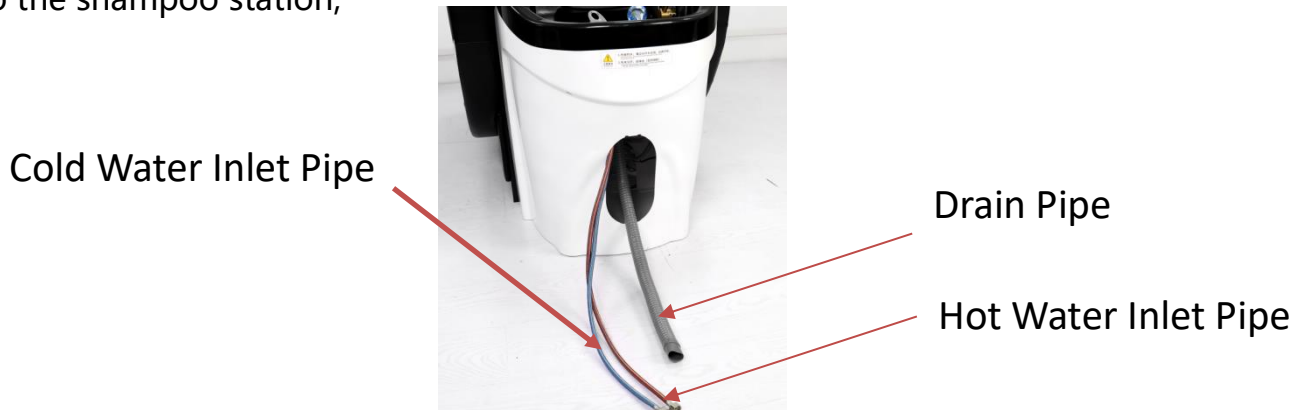
### Step 2 :

Assemble the chair, connect the wires accordingly and splice the shampoo basin and bed together.



**Step 3 :**

According to the requirements, connect the hot and cold water pipes and drainage pipes to the shampoo station;





## Remote Features



**Automatic :** Fully automatic massage

**Strength:** Adjust massage intensity

**Head Therapy:** Head therapy function

**Color Light:** Shampoo basin ambient lighting

**Timing:** Time setting

**Pressure:** Air pressure adjustment

**Foot Massage:** Foot massage

**Constant TEMP:** The head therapy temperature setting function

**Adjust Temp:** 30°C~50°C

---

## Precautions for Cleaning and Disinfection

### **\* Please unplug the power cord before cleaning.\***

In order to keep the surface of the shampoo chair in good condition, please clean it regularly. Keep in mind that the bed needs to be cleaned and disinfected before applying to different users. A thorough disinfection per month is recommended.

### **I Metal and plastic surface**

Clean metal and plastic surface and hand controls with wet cloth or weak alkaline cleaning solution. And use small brushes in corners and other difficult-reaching places. When cleaning, rinse with clean water and dry carefully. Do not use too much liquid or disinfectant (alcohol or chlorine) and follow the instructions of the disinfectant manufacturer, then evaporate and dry the bed at room temperature.

### **II. Stainless steel surface**

The surface is highly chemical resistant, which needs to be cleaned with mild detergent solution. Ammonia and most solvents can be used to remove stains that are difficult to dye. Avoid using chlorinated solutions or chrome plating on metal surface;

Make sure that all surfaces are dry before connecting to the main power supply and using equipment,

Do not use water spray (shower, high pressure water gun) for cleaning;

Do not clean under high temperature and high air humidity. Do not expose the equipment to the environment that may lead to liquid pollution.

Do not use solvent for cleaning; do not use acid for cleaning;

Sterilization wears away the surface. After disinfection, please clean the surface with a clean wet towel.

### **III Bed surface**

Please use clean soft towel to wipe the bed surface, with special leather detergent to wipe evenly. And then use clean soft towel to wipe it clean again. Do not touch the bed surface with wet cloth, hard or acid or alkaline chemicals, so as to avoid affecting the surface quality and service life.

---

## Maintenance

**\* Before maintenance, make sure to unplug the power cord and confirm that the function is off\***

- ① Read the instructions carefully
- ② Experienced and manufacturer-authorized personnel is required for maintenance. Maintenance by unauthorized personnel may cause injury or damage to equipment that the manufacturer is not responsible for.
- ③ Only original fittings proved by the manufacturer are allowed.
- ④ If it does not function properly and then contact the after-sales department.
- ⑤ All maintenance and repair operations must be recorded.

## Maintenance measures

Monthly checking and twice maintenance per year is recommended.

Please check the main parts, functions and status per week. The following shall be inspected every 6 months:

1. fittings are attached and fixed
2. Complete all adjustments and make sure that the SPA beauty bed works properly

If you find any defects, please stop using the equipment. Please contact after-sales department if you find it making noise or malfunctions. Only experienced or authorized personnel can open or replace the actuator/control unit.

If some fittings of the equipment are damaged, please inform the after-sale department and ensure that all parts are properly placed after any maintenance measures.

---

## Common troubleshooting

No.	Troubles	Solutions
1	hand control didn't respond	Switch the position of the control box (check whether the motor is wrong) Remember that the original position of the plug must be marked
2	motor did not respond	Switch the motor plug position
3	Heating does not work	Check whether the line plug is loose
4	Light does not work	Check whether the line plug is loose

To replace and order other spare fittings, please contact the service department and describe the following information:

1. Model
2. Date of purchase

---

## Warranty

The warranty period is within the agreed period unless there are any other agreement . Manufacturing materials and motors are guaranteed for one years, vulnerable fittings (power lines) are guaranteed for one year.

Warranty Conditions: Warranty is valid only when the warranty requirement is provided together with the original invoice or sales order or (order) confirmation.

The product is designed and manufactured to meet the requirements of CE standards. If the product needs to be adjusted to meet other local/ national technical or safety standards, it is not considered to have material or process defects.

This warranty does not include any of the following conditions:

- 1.Damage due to normal wear during daily use and maintenance, replacement or changing fittings during the periodic inspection
- 2.Damage caused from transporting, disassembling or installing products
- 3.Misusing, including failure to use the product in accordance with the guidelines or incorrect installation
- 4.Natural disasters (lightning, floods, fires) and damage caused by war, public interference, abnormal power supply voltage or any other elements which beyond control
- 5.Damage done by chemicals ,liquids, or any hazardous substance that may affect the product
- 6.The slight defects and deviations of the product that do not affect the value or function of the product can be neglected.

The following operations must be performed when making a warranty claim.

First of all, please contact after-sales department and describe the problem (with photos or videos) and inform them of the product and purchase time. Our technicians will help figure out defects and faults and usually provide solutions by telephone or e-mail. If the warranty service is needed, the product should be returned to the provider or factory. We will bear the costs of material/spare fittings and labor, as well as the refund cost accordingly, and offer the appropriate solution.

If the bed is replaced with unauthorized fittings, warranty service is not valid! (repairs by unauthorized persons or inexperienced persons, and these maintenance measures lead to product failures, or the use of incorrect detergents for cleaning lead to product defects, or failure to perform regular maintenance in accordance with the instructions will also be regarded as invalidation of the warranty.)