



230-SWTS-UNI

Universal Street Legal Turn Signal Kit

SSV WORKS, 201 N. Rice Ave Unit A, Oxnard, CA 93030

www.SSVworks.com | Phone: 818-991-1778 | Fax: 866-293-6751

WARRANTY INFORMATION:

ALL SWITCH Works Electronics are covered by a limited 1 year warranty against defects in material or workmanship. Contact SSV Works for further warranty information.



Please read and understand these instructions completely before installation to avoid possible injury, or damage to the accessory or vehicle.

FEATURES & BENEFITS:

- Left/Right Turn Signal with Automatic Canceling Feature
- Dedicated Horn Output
- License Plate Light Output
- Emergency Hazard Light Switch
- RGB Backlight Buttons
- Weather-Proof for Offroad Use
- Built-In Circuit Protection Detects Any Short Circuits, Over Current, Under Current and Low Voltage
- Programmable RGB Backlight Colors to Match the Dash Lights



BY



SWITCH Works Tango2 Parts List



Tango2 Turn Signal Module



Tango2 Turn Signal Rocker Switch



Tango2 Turn Signal Main Harness [B-H2939]



Tango2 Universal Rear Turn Signal Harness [B-H3204]



Tango2 Front & Rear Turn Signal LED Lamps (x4) [B-H2813]



Front Turn Signal Extension Harness (x2) [B-S2959]



Power Extension Harness [B-H3413]

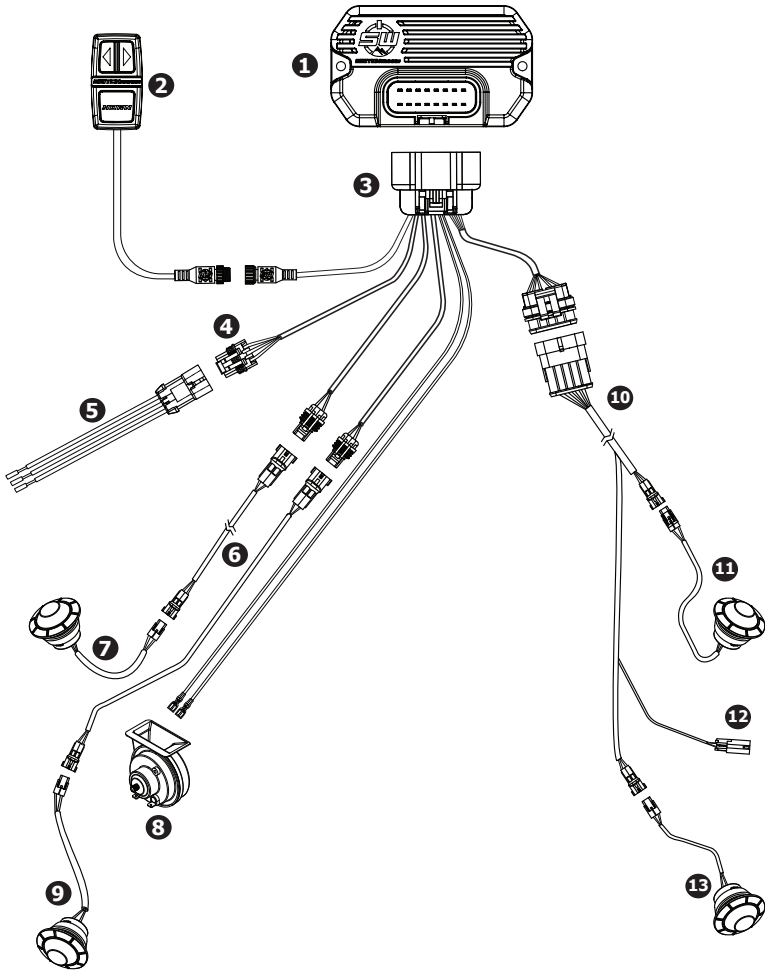


Horn Assembly, 500hz [A-SW-HRN]

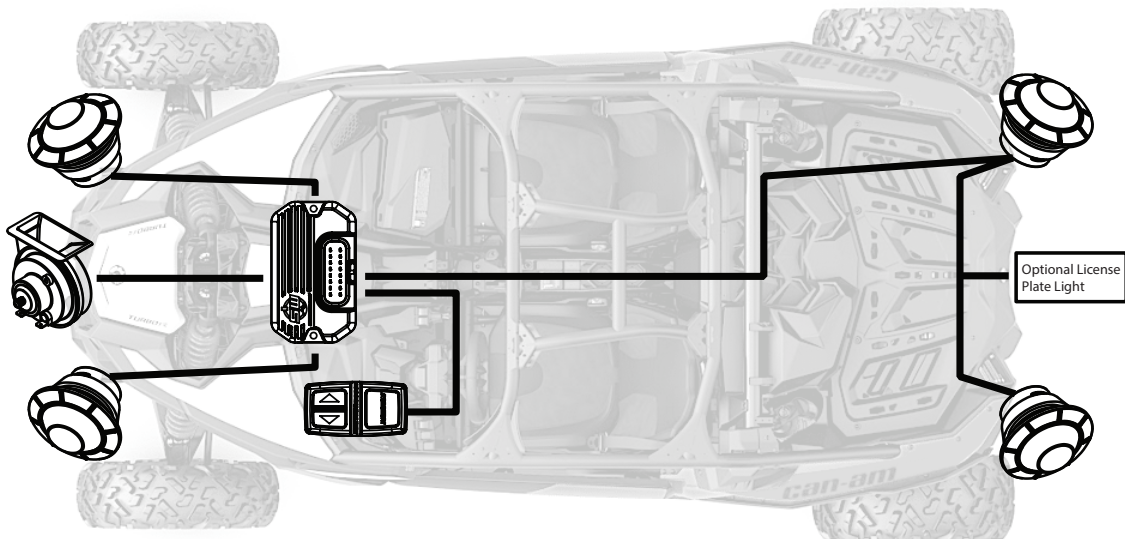


Zip Ties (x10)

SWITCH Works TANGO2 Universal Turn Signal Kit Wiring Diagram



	Description	Part #
1	Tango2 Turn Signal Module	
2	Tango2 Turn Signal Rocker Switch	
3	Tango2 Turn Signal Main Harness	B-H2939
4	Power Connector to Busbar Pulse Connector	
5	Power Input Harness, 3 ft.	B-H3413
6	Front Turn Signal Extension Harness (x2)	B-H2959
7	LED Lamp (Front Right)	B-H2813
8	Tango2 Horn, 500 hz	B-SW-HRN-500
9	LED Lamp (Front Left)	B-H2813
10	Tango2 Universal Harness (to Rear)	B-H3204
11	LED Lamp (Rear Right)	B-H2813
12	To License Plate Light	
13	LED Lamp (Rear Left)	B-H2813



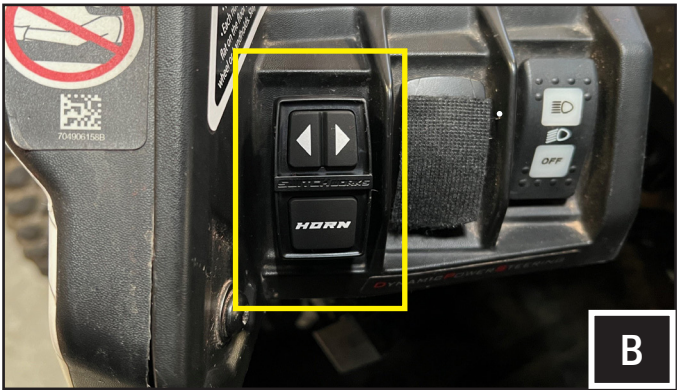
SWITCH Works TANGO2 Universal Turn Signal Kit Installation

TOOLS NEEDED FOR INSTALLATION

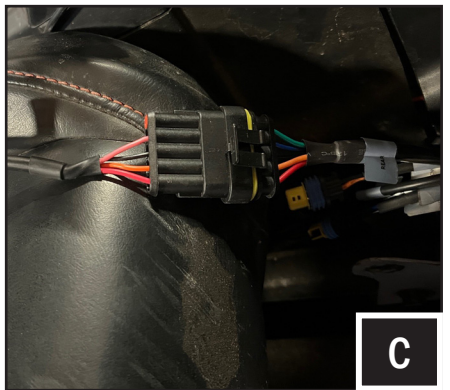
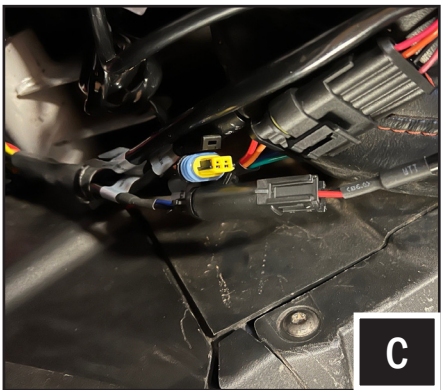
- Phillips Screw Driver
- Drill
- 3/4" Hole Saw



A. Find a suitable mounting spot for the Tango2 brain module preferably near a power source and within the cable length of the turn signal rocker switch. Screw the module to a flat surface or zip tie it to a wire loom. The module was mounted on the front section of the center console in this sample installation.



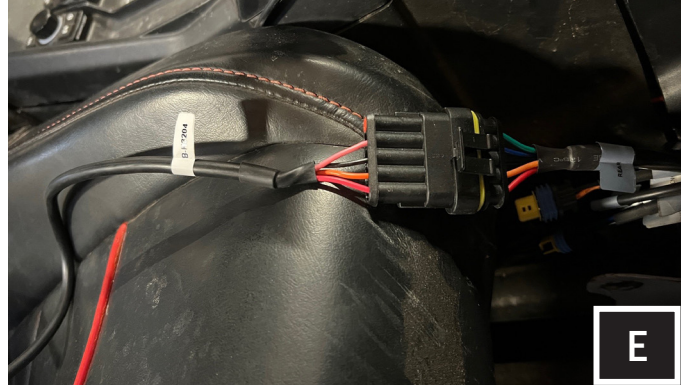
B. Use a vacant rocker switch mounting slot and insert the TANGO2 turn signal rocker switch. Run the cable towards the TANGO2 brain module.



C. Plug in the controller cable, front turn signal extension cables (B-H2959) and rear turn signal harness (B-H3204) to the TANGO2 main harness (B-H2939).



D. Route the front left and right turn signal extension cables to the front of the vehicle. Make sure to route the correct cable connector end that will plug to the LED lamp. Run the Horn power wires to the desired horn location.



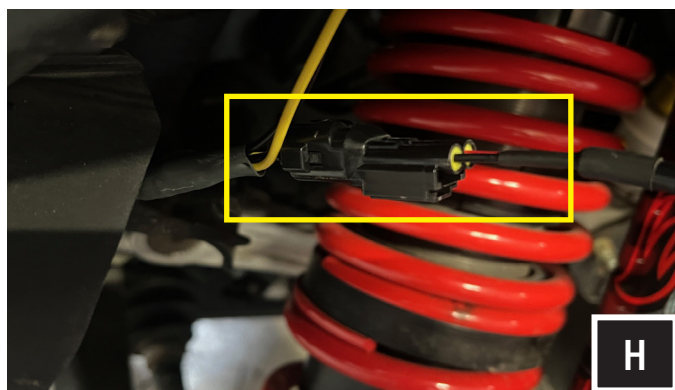
E. Run the TANGO2 rear turn signal harness (B-H3204) to the rear of the vehicle. Use zip ties to secure the cable away from any moving parts or exhaust pipes.



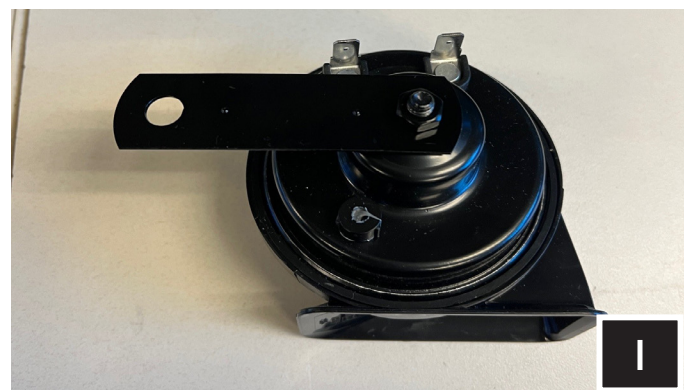
F. Drill a 3/4" hole in the front of the vehicle for the front turn signal LED lamp. Refer to the viewing angle diagram on page 7 for proper turn signal LED lamp placement.



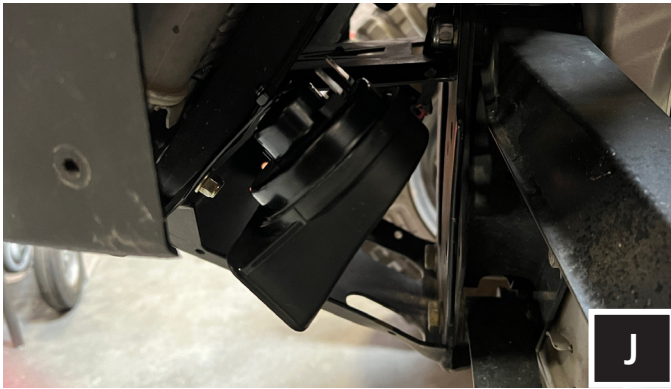
G. Insert the LED turn signal lamp into the hole and push in to lock in place. Repeat steps F and G for the other side.



H. Connect the front turn signal extension harness to the LED lamp.



I. Mount the supplied bracket to the horn.



J. Horn mounting recommendations: 1. Mount away from moving parts; 2. Mount as high as possible; 3. Mount with the horn facing downward to protect from water damage.

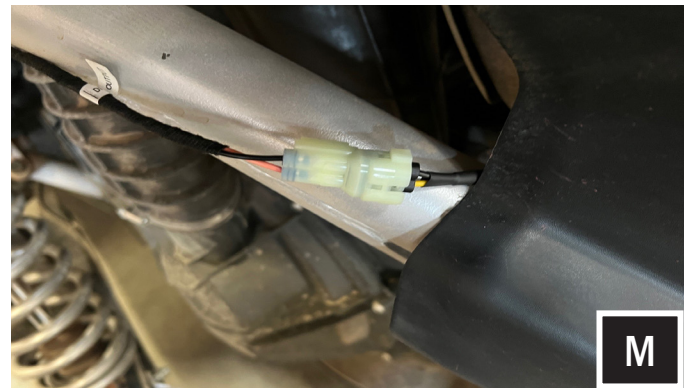
Plug in the horn power wires. Either wire can connect to either terminal.



K. Drill a 3/4" hole in the rear of the vehicle for the turn signal LED lamps. Refer to the viewing angle diagram on page 7 for proper turn signal LED lamp placement.



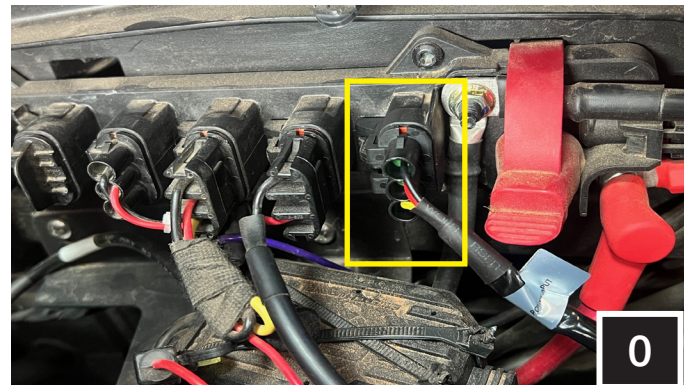
L. Insert the LED turn signal lamp into the hole and push in to lock in place. Repeat steps K and L for the other side.



M. Plug in the LED lamps to the driver and passenger output connectors of the Tango2 Universal Rear Turn Signal harness (B-H3204).

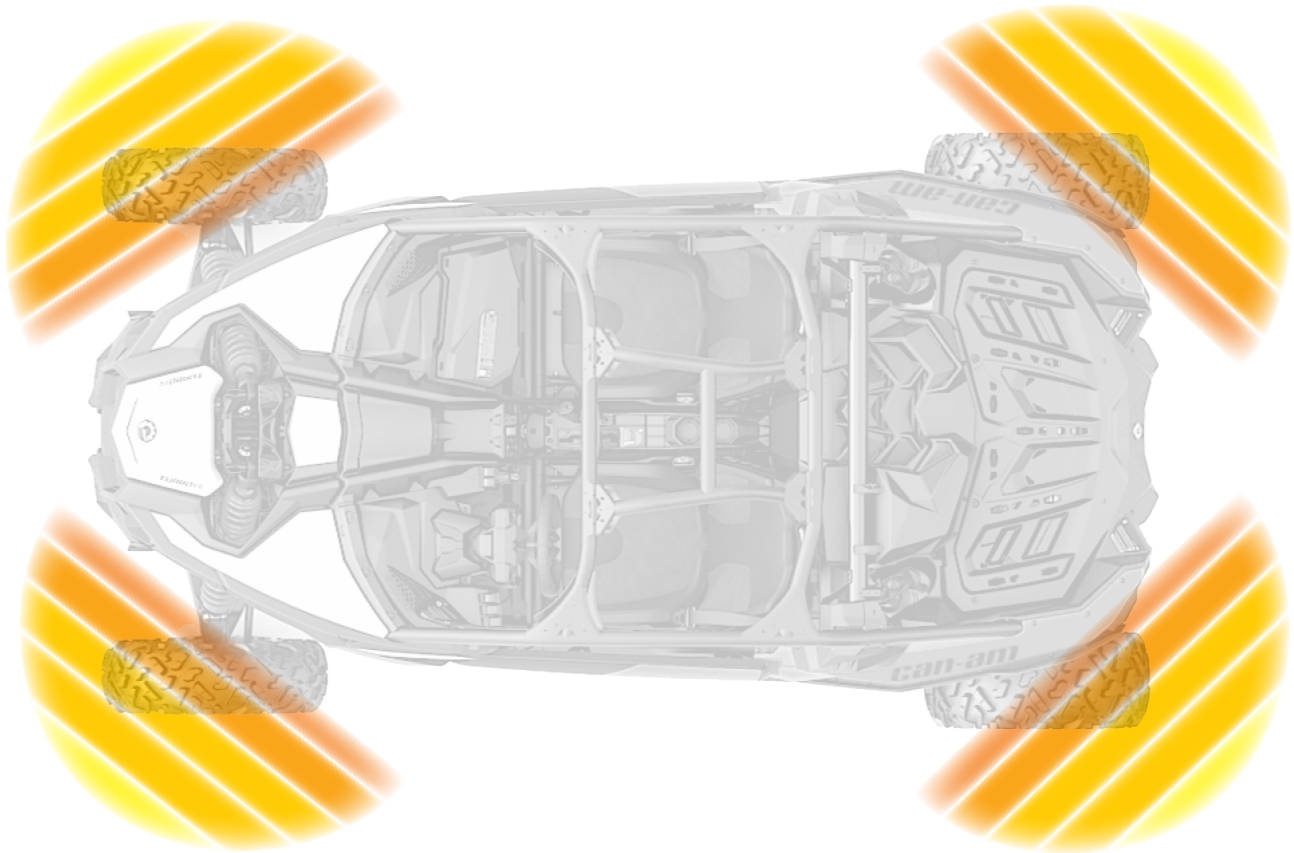


N. Route the license plate light power connector towards the license plate location. SSV license plate frame with LED light is sold separately. Contact SSV customer service at (818)991-1778 for more information.

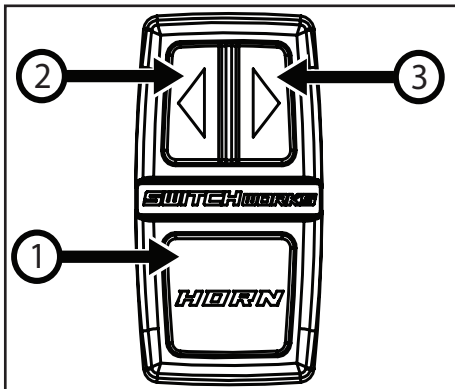


O. After all connections are made, plug in the Tango2 power to the busbar Pulse connector. For vehicles without a Pulse connector, use the supplied power extension cable and ring terminals (B-H3413) and connect to the busbar bolts.

Turn Signal° 180 Degree Viewing Angle



TURN SIGNAL ROCKER SWITCH FUNCTIONS



- ① Momentary Press = Horn Button
- ② Momentary Press = Left turn signal with 8-flash auto turn off
Press and Hold = Left turn signal with
- ③ Momentary Press = Right turn signal with 8-flash auto turn off
Press and Hold = Right turn signal with
- ② + ③ Press and Hold = Hazard lights (also works with ACC off)

LED BACK LIGHT COLOR CHANGE



With ACC off, press and hold either the left or right button for 4 seconds until the rocker switch back light turns bright. Use the left and right buttons to select the color. Press the horn button to save the color.



SWITCH Works is a product by SSV Works. We are committed to your satisfaction and we know you will enjoy our products. If you have questions or need any assistance, please let us know.

  SSVWORKS.COM
 1-818-991-1778 EXT 2
 SUPPORT@SSVWORKS.COM

Returns must be made within 30 days of purchase date. Claims for missing items or items damaged in transit must be received within five business days of receipt of merchandise. All returns must be in original packaging and in re-sellable condition. Shipping fees are not refundable.