



SW-E12BU

SWITCH Works
Add a Brain Kit

SSV WORKS, 201 N. Rice Ave Unit A, Oxnard, CA 93030
www.SSVworks.com | Phone: 818-991-1778 | Fax: 866-293-6751

WARRANTY INFORMATION:

All SWITCH Works Electronics are covered by a limited 1 year warranty against defects in material or workmanship. Contact SSV Works for further warranty information.



Please read and understand these instructions completely before installation to avoid possible injury, or damage to the accessory or vehicle.

**180 AMP LOAD CAPABLE
WITH 6 HIGH AND 6 LOW
CURRENT OUTPUTS**



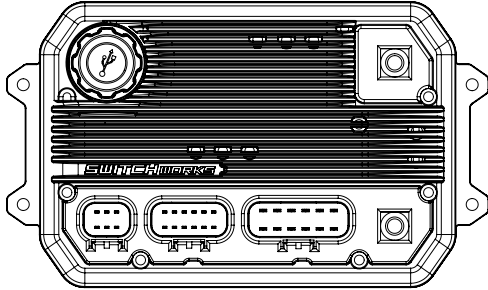
**SOLID-STATE OUTPUTS
NO FUSES OR RELAYS NEEDED**

BY

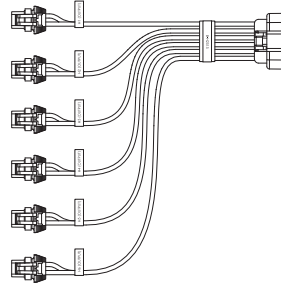




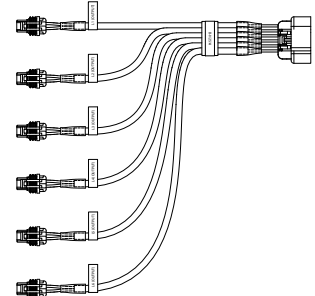
PARTS CONTENTS



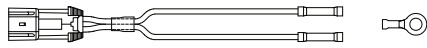
SWITCH Works 12 Circuit Brain Module



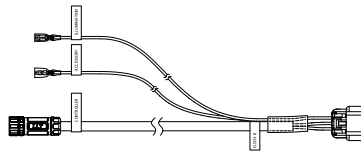
High Current Output Harness [B-H2515]



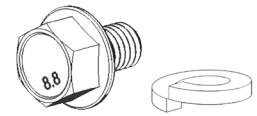
Low Current Output Harness [B-H2514]



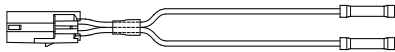
High Current Pigtail & Ring Terminal [B-H2992] (x6)



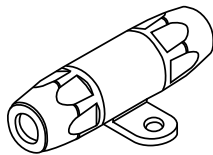
Brain Module Power Harness [B-H2513]



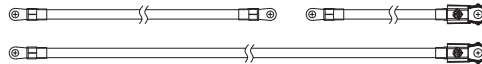
M8 Flange Bolt & SS Split Washer [B-HPM810HH-2] (x2)



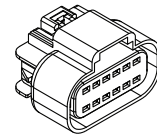
Low Current Pigtail [B-H2991] (x6)



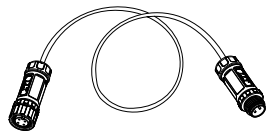
Fuse holder with 100A mini ANL fuse



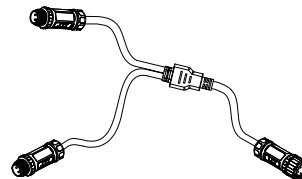
#4 AWG Power/Ground Cable Set [B-H2880], 10 ft



Dummy Plug for Low Current Port

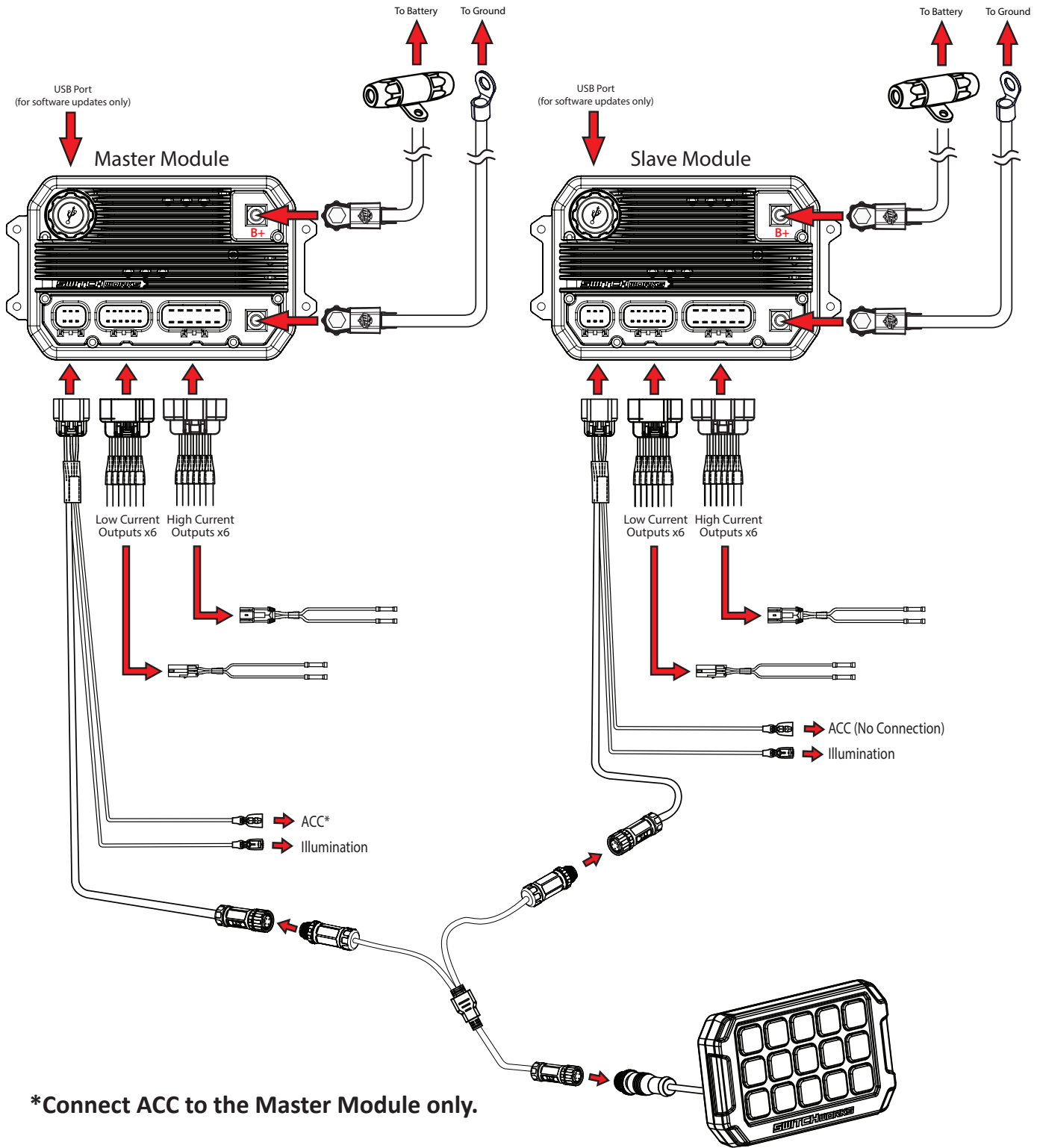


4-Pin Extension Cable, 6 ft (B-H3197)



Brain Y Splitter Harness (B-H3185)

Optional accessories such as a 2nd LCD Controller, “Y” cable splitters and extension cables for controller are available. Please contact Customer Service at 818-991-1778 for more information.



NOTE: Controller MUST be connected first before power is applied to the switcher modules.



DEVICE LIST

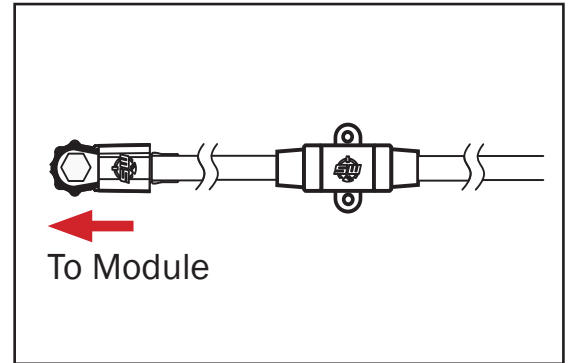
To make programming the SWITCH Works module easier, we recommend mapping your accessories with the cheat sheet below. Determine which accessory you're connecting to each individual output; which button you want to control the output (button used is not determined by output location); and, which function you want to achieve for the output (ON/OFF, Strobe, etc.).

HIGH CURRENT OUTPUT	DEVICE	BUTTON #	OUTPUT FUNCTION
H1			
H2			
H3			
H4			
H5			
H6			
LOW CURRENT OUTPUTS	DEVICE	BUTTON	OUTPUT FUNCTION
L1			
L2			
L3			
L4			
L5			
L6			

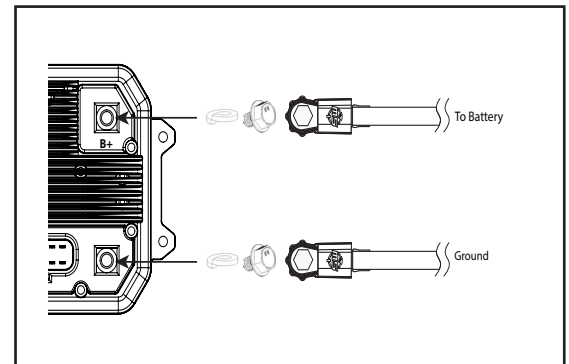
NOTE:

The ALPHA12 Electronic Smart Switcher has an option to combine 2 High Level or 2 Low Level outputs to double the current output. Example: H1 + H6 = 50 Amps, L1 + L6 = 10 Amps. Limit to only 1 combined outputs for High or Low Current. Use the outputs that are furthest apart for proper heat dissipation.

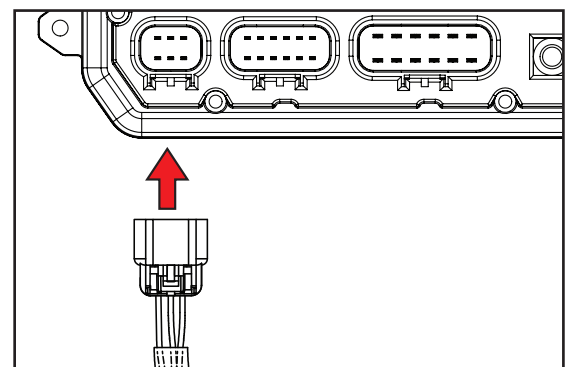
1. Cut the 4AWG power and ground wires to the required length to reach the battery. Install the fuse holder provided in the kit to the 4 AWG power wire. Wait to connect the power and ground wires to the battery until all other installations steps are completed.



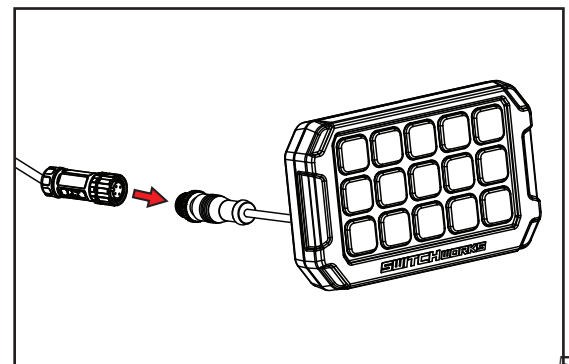
2. Connect the 4AWG power and ground wires to the brain module using the M8 flange bolt and split washer.



3. Plug the B-H2513 harness to the SWITCH Works Brain.

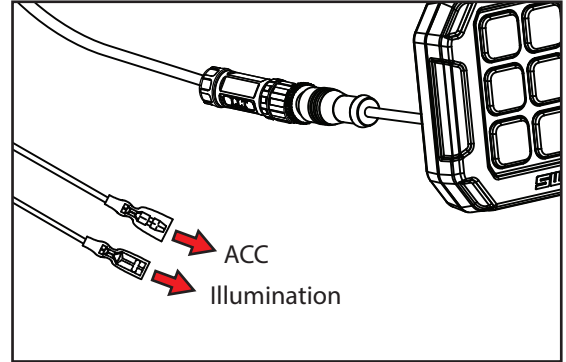


4. Plug the LCD Touch Button Controller to the B-H2513 harness.



- Tap ACC wire of the master module to a switched 12 volt power source. Tap Illumination wire to headlight power for dimming function or tap to one of the Low Current Outputs for a manual dimming function.

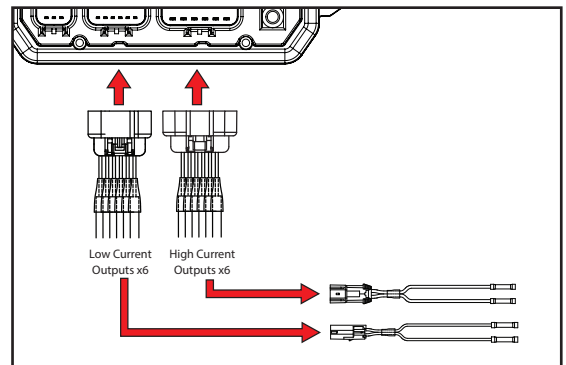
NOTE: LCD Touch Button Controller **MUST** be connected before applying ACC power to the switcher.



- Splice your devices to the high current and low current harnesses accordingly. Then plug in the harnesses to the module.

High Current: 25 amps each x6
 Low Current: 5 amps each x6

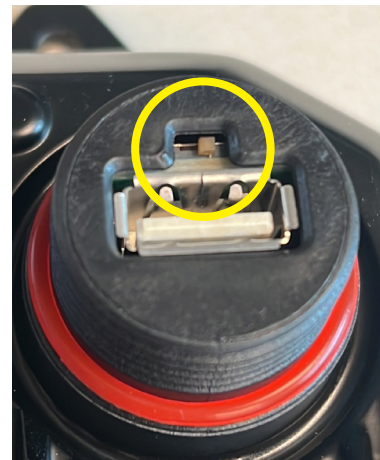
NOTE: If outputs L1-L6 are not going to be used plug in the dummy connector included in the accessory box.



7. CAN Termination Setting

The brain module that is furthest from the controller should have the CAN termination set to ON and the brain closest to the controller set to OFF. The CAN Termination switch is located on the USB port. Remove the USB port cover to see the switch. The picture on the right has the CAN termination set to ON.

When all other Installation steps are completed, connect power and ground wires to the Battery.





GENERAL SETTINGS

7. Refer to the SW-E12 instructions manual for a detailed installation and programming procedure of the SWITCH Works Alpha12 system.



SWITCH Works is a product by SSV Works. We are committed to your satisfaction and we know you will enjoy our products. If you have questions or need any assistance, please let us know.

SSVWORKS.COM
 1-818-991-1778 EXT 2
SUPPORT@SSVWORKS.COM

Returns must be made within 30 days of purchase date. Claims for missing items or items damaged in transit must be received within five business days of receipt of merchandise. All returns must be in original packaging and in re-sellable condition. Shipping fees are not refundable.