

**NIBBI**  
RACING



NIBBI POWERPARTS

**OFF-ROAD 2023**

**BOOST YOUR PERFORMANCE**



## FUEL SYSTEM

---

FCR CARBURETOR	06
PWN CARBURETOR	10
PWK CARBURETOR	14
PE CARBURETOR	20
CARBURETOR KITS	28
INTAKE MANIFOLD	30

## CONTROL SYSTEM

---

THROTTLE ASSEMBLY	32
GRIPS	34
THROTTLE CABLE	36
CLUTCH CABLE	36

## AIR INTAKE SYSTEM

---

PERFORMANCE AIR FILTERS	40
HYBRID AIR FILTER	42
FOAM AIR FILTERS	44

## ELECTRONIC CONTROL SYSTEM

---

IGNITION COIL	52
CDI\ SPARK PLUGS	53

## DRIVE & TRANSMISSION

---

SPROCKETS	54
FRONT CHAINWHEELS	56
CHAINS	58





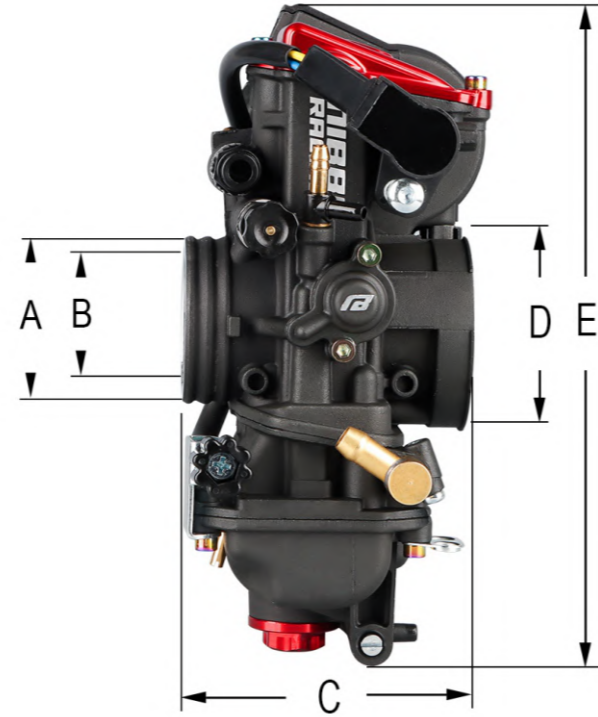
# INTENSIFY OFFROAD ELEVATE PERFORMANCE

---

NIBBI Powerparts make it possible to intensify your ride to become next level, during the 5 of Key Ares System which are the Fuel system, Control system, Air Intake system, Electronic Control system, Drive&Transmisson system, bring your Safety&Sustainable on the track. Each and every Nibbi PowerParts item has been designed and specifically developed to bring out the very best in your motorcycle. Using materials sourced from the world of riders' experience feedback after updating, such as high-performance fibers, titanium, and high-strength anodization processes, each item has been engineered for riding at the very edge explore more driving fun. Designed to save weight, increase engine performance, and improve authentically speed response and ride sensation, there is a NIBBI PowerParts option for every application, to narrow the gap between another riders to transforming your motorcycle into the ultimate, sustainable, flat-out Land Jet Rocket.







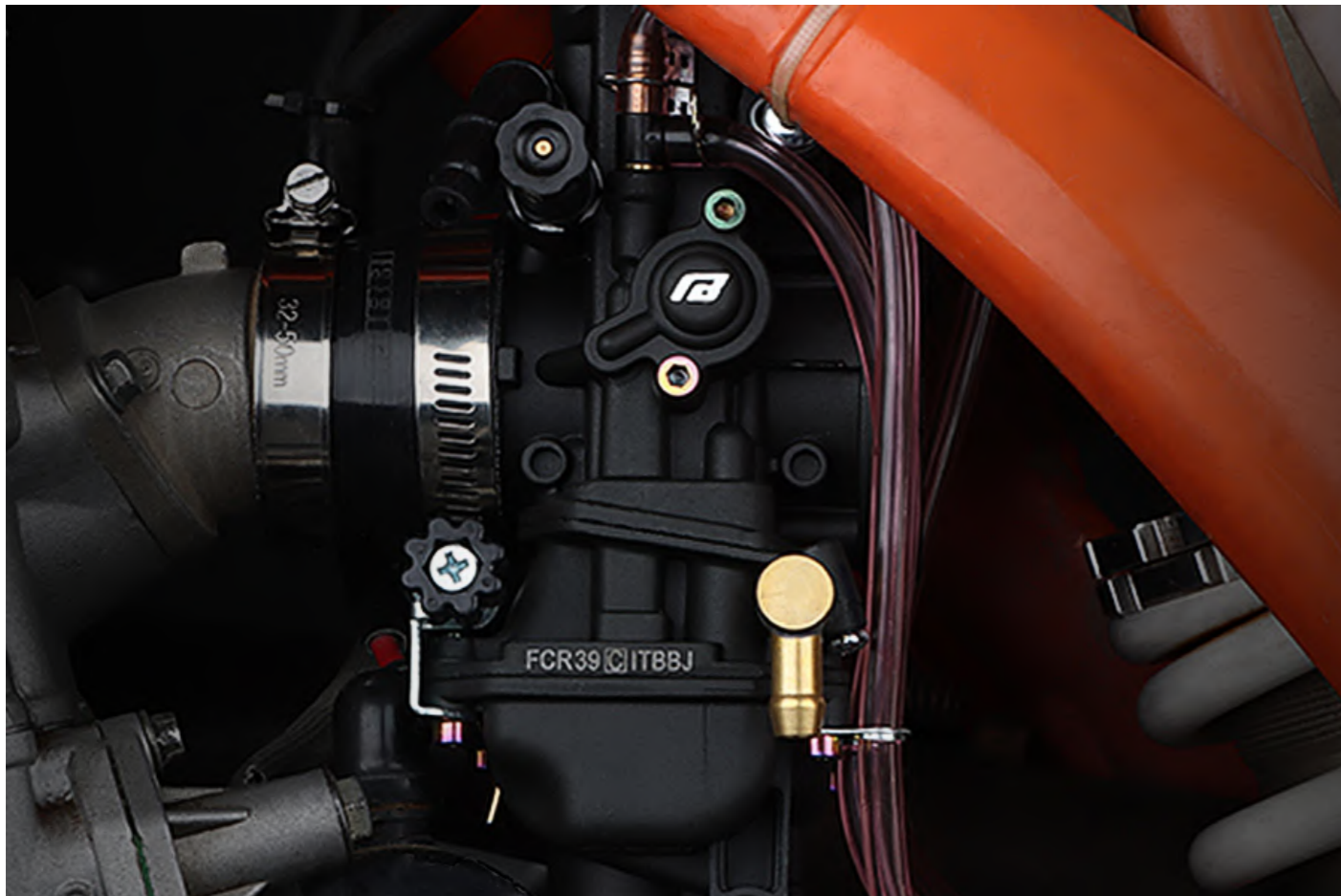
## FCR CARBURETOR

FCR carburetor is designed for the specialized needs of the off-road racer. The NIBBI FCR carburetor has many features to take motocross and ATV performance to the next level.

### Features

1. Binding hoops connector
2. Workings made in CNC centers
3. Cuboid shaped slide
4. Ideal fueling assembly
5. Air cut valve for deceleration enrichment
6. Hot restart knob

<b>Carburetor</b>	33	36	39	42
<b>Stroke</b>	4T	4T	4T	4T
<b>Air Screw</b>	2½	2½	2½	2½
<b>Jet Needle</b>	3	3	3	3
<b>Main Jet</b>	#150	#162	#170	#180
<b>Pilot Jet</b>	#48	#48	#52	#52



Model	A Outer Diameter (Bore Dimension)	B Inner Diameter	C	D Intake Diameter	E	Displacement	Apply to Application
FCR 33	39mm	33mm	81mm	48mm	200mm	125cc—250cc	GO-kart, motocross atv, motorcycle, pit bike
FCR 36	48mm	36mm	81mm	56mm	186mm	250cc—375cc	GO-kart, motocross atv, motorcycle, pit bike
FCR 39	48mm	39mm	81mm	56mm	186mm	350cc—500cc	GO-kart, motocross atv, motorcycle, pit bike
FCR 42	48mm	42mm	81mm	56mm	186mm	450cc	GO-kart, motocross atv, motorcycle, pit bike





### FCR 36 RACING CARBURETOR

**Features:** Binding hoops connector  
Workings made in CNC centers  
Rectangular shaped slideldel fueling assambly  
Air cut valve for deceleration enrichment  
Hot restart knob



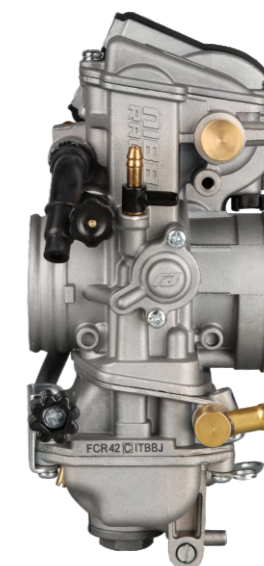
### FCR 39 RACING CARBURETOR

**Features:** Binding hoops connector  
Workings made in CNC centers  
Rectangular shaped slideldel fueling assambly  
Air cut valve for deceleration enrichment  
Hot restart knob



### FCR 33 SPORTS CARBURETOR

**Features:** Binding hoops connector  
Workings made in CNC centers  
Rectangular shaped slideldel fueling assambly  
Hot restart knob



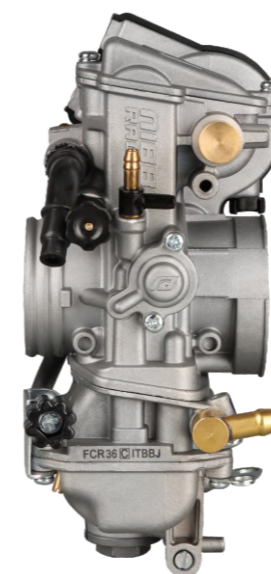
### FCR 36 SPORTS CARBURETOR

**Features:** Binding hoops connector  
Workings made in CNC centers  
Rectangular shaped slideldel fueling assambly  
Hot restart knob



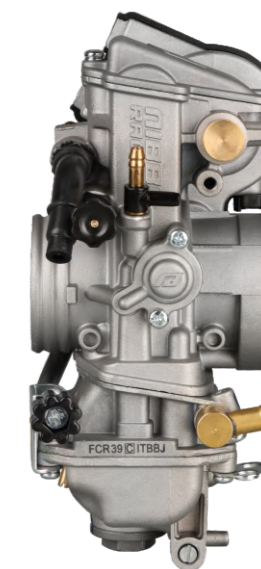
### FCR 42 RACING CARBURETOR

**Features:** Binding hoops connector  
Workings made in CNC centers  
Rectangular shaped slideldel fueling assambly  
Air cut valve for deceleration enrichment  
Hot restart knob



### FCR 39 SPORTS CARBURETOR

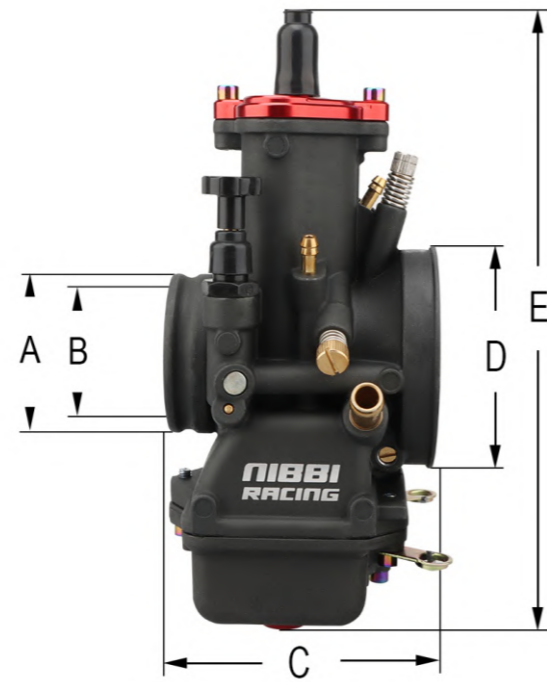
**Features:** Binding hoops connector  
Workings made in CNC centers  
Rectangular shaped slideldel fueling assambly  
Hot restart knob



### FCR 42 SPORTS CARBURETOR

**Features:** Binding hoops connector  
Workings made in CNC centers  
Rectangular shaped slideldel fueling assambly  
Hot restart knob





## PWN CARBURETOR

PWN carburetor features an innovative half-moon slider design that allows the flow rate of the main nozzle to better fit the large bore venturi. Equipped with two units, they function at high speed or low speed accordingly to achieve the vehicle a big boost in power, throttle response and overall engine performance.

### Features

1. Binding hoops connector
2. Workings made in CNC centers
3. Chrome plating heart shaped slide
4. Quick respond fuel supply
5. Computer numerical control machining cover, fueling screw
6. Customized core components specialized for pro-racer

Carburetor	34	36	38	40
Stroke	2T	2T	2T	2T
Air Screw	2½	2½	2½	2½
Jet Needle	4	4	2	2
Main Jet	#135	#140	#145	#140
Pilot Jet	#50	#50	#55	#60



Model	A Outer Diameter (Bore Diamention)	B Inner Diameter	C	D Intake Diameter	E	Displacement	Applyto Application
PWN 34	46mm	34mm	75mm	63.5mm	185mm	125cc	GO-kart, motocross atv, motorcycle, pit bike
PWN 36	46mm	36mm	75mm	63.5mm	185mm	150cc	GO-kart, motocross atv, motorcycle, pit bike
PWN 38	46mm	38mm	75mm	63.5mm	185mm	250cc	GO-kart, motocross atv, motorcycle, pit bike
PWN 40	46mm	40mm	75mm	63.5mm	185mm	300cc	GO-kart, motocross atv, motorcycle, pit bike





### PWN 34 RACING CARBURETOR

- Features:** Binding hoops connector  
Workings made in CNC centers  
Chrome plating heart shaped slide  
Uick respond fuel supply  
Computer numerical control machining cover, fueling screw  
Customized core components specialized for pro-racer



### PWN 36 RACING CARBURETOR

- Features:** Binding hoops connector  
Workings made in CNC centers  
Chrome plating heart shaped slide  
Uick respond fuel supply  
Computer numerical control machining cover, fueling screw  
Customized core components specialized for pro-racer



### PWN 34 SPORTS CARBURETOR

- Features:** Binding hoops connector  
Workings made in CNC centers  
Chrome plating heart shaped slide  
Uick respond fuel supply  
Carburetors die-cast in aluminum light alloy



### PWN 36 SPORTS CARBURETOR

- Features:** Binding hoops connector  
Workings made in CNC centers  
Chrome plating heart shaped slide  
Uick respond fuel supply  
Carburetors die-cast in aluminum light alloy



### PWN 38 RACING CARBURETOR

- Features:** Binding hoops connector  
Workings made in CNC centers  
Chrome plating heart shaped slide  
Uick respond fuel supply  
Computer numerical control machining cover, fueling screw  
Customized core components specialized for pro-racer



### PWN 40 RACING CARBURETOR

- Features:** Binding hoops connector  
Workings made in CNC centers  
Chrome plating heart shaped slide  
Uick respond fuel supply  
Computer numerical control machining cover, fueling screw  
Customized core components specialized for pro-racer



### PWN 38 SPORTS CARBURETOR

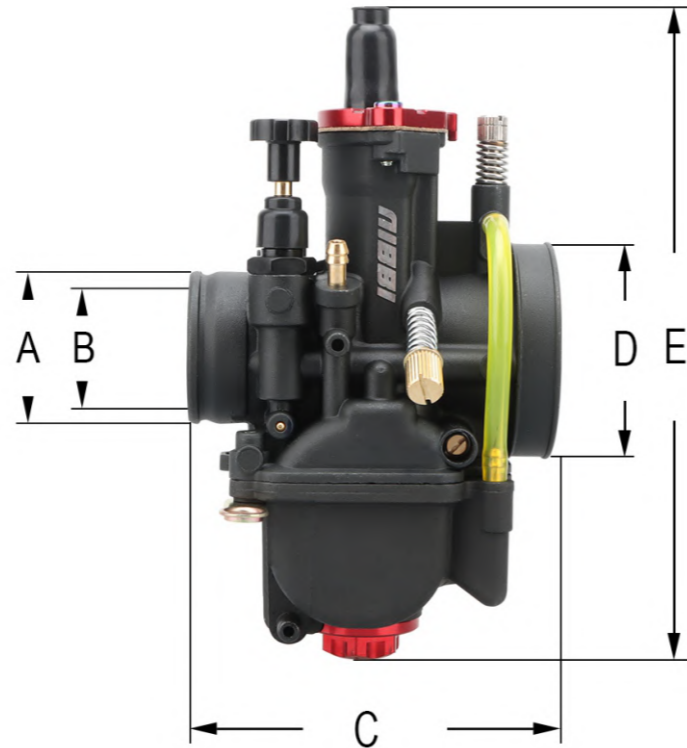
- Features:** Binding hoops connector  
Workings made in CNC centers  
Chrome plating heart shaped slide  
Uick respond fuel supply  
Carburetors die-cast in aluminum light alloy



### PWN 40 SPORTS CARBURETOR

- Features:** Binding hoops connector  
Workings made in CNC centers  
Chrome plating heart shaped slide  
Uick respond fuel supply  
Carburetors die-cast in aluminum light alloy





## PWK CARBURETOR

PWK Carburetor is designed to improve performance and achieve excellent results in various off-road races. With a half-moon shaped slide, the throttle response becomes more responsive. A mid to high speed refueling device is built-in for an aggressive power boost. Aluminum alloy with anodic oxidation treatment on the surface, which greatly improves the corrosion resistance, wear resistance, insulation, heat resistance and hardness of the carburetor.

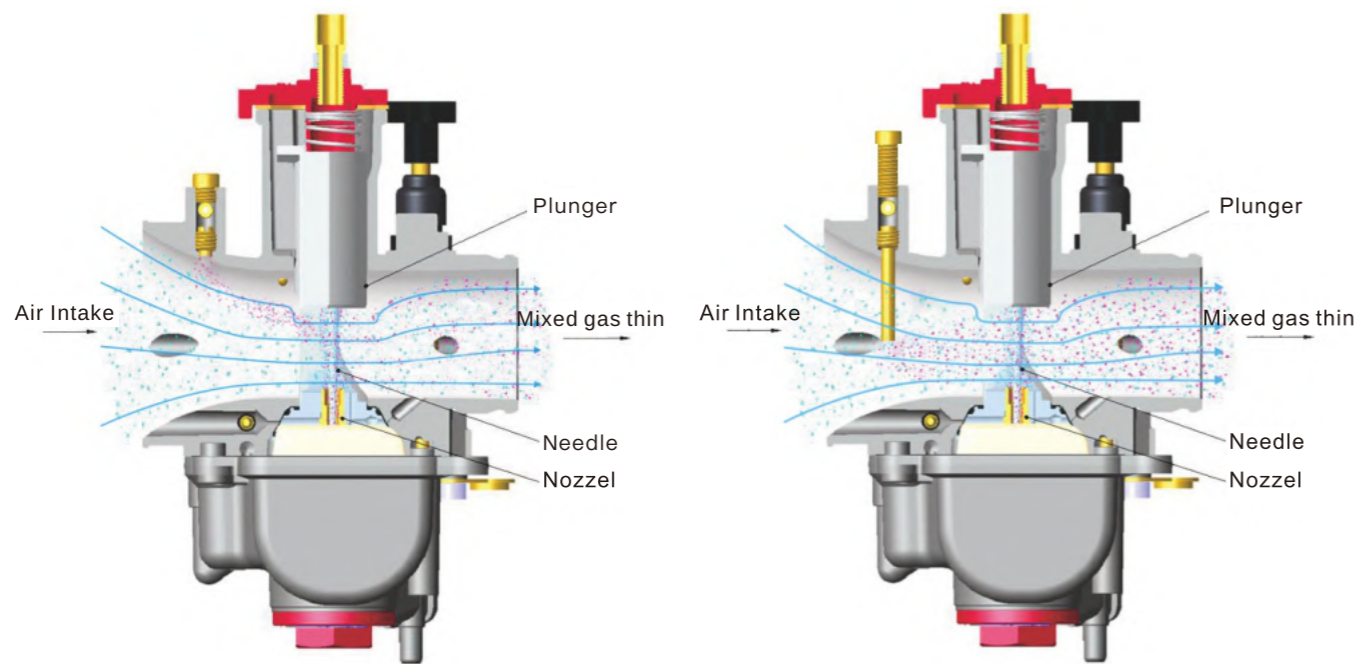
### Features

1. Binding hoops connector
2. Workings made in CNC centers
3. Chrome plating Semicolumnar slide
4. Quick respond fuel supply
5. Customized core components specialized for pro-racer
6. Computer numerical control machining cover, fueling screw

Carburetor	24	26	28	30	32	34	36	38	40
Stroke	2T 4T	2T 4T	2T 4T	2T 4T	2T 4T	2T 4T	2T 4T	2T 4T	2T 4T
Air Screw	1½	1½	1½	1½	1½	1½	1½	1½	1½
Jet Needle	3	1	3	2	2	2	3	3	3
Main Jet	#98	#112	#118	#120	#128	#132	#132	#135	#135
Pilot Jet	#32	#32	#32	#32	#32	#32	#40	#40	#40

### OPTIMIZE THE HIGH-SPEED FUEL FILLING DEVICE

Of The Sixth Generation Compared With The Fifth Generation In The medium And High Speed Oil Filling It Atomizes The Supplied Fuel To The Best Effect, allowing The Engine To Output Stronger Power



NIBBI FIFTH GENERATION CARBURETOR

NIBBI SIXTH GENERATION CARBURETOR

Model	A Outer Diameter (Bore Diamention)	B Inner Diameter	C	D Intake Diameter	E	Displacement	Applyto Application
PWK 24	35mm	24mm	83mm	50mm	148mm	100cc—125cc	GO-kart, motocross atv, motorcycle, pit bike
PWK 26	35mm	26mm	83mm	50mm	148mm	150cc—200cc	GO-kart, motocross atv, motorcycle, pit bike
PWK 28	35mm	28mm	83mm	50mm	148mm	200cc—250cc	GO-kart, motocross atv, motorcycle, pit bike
PWK 30	40mm	30mm	82mm	55mm	158mm	250cc—300cc	GO-kart, motocross atv, motorcycle, pit bike
PWK 32	40mm	32mm	82mm	55mm	158mm	300cc—350cc	GO-kart, motocross atv, motorcycle, pit bike
PWK 34	40mm	34mm	82mm	55mm	158mm	350cc—400cc	GO-kart, motocross atv, motorcycle, pit bike
PWK 36	46mm	36mm	90mm	63mm	180mm	400cc—500cc	GO-kart, motocross atv, motorcycle, pit bike
PWK 38	46mm	38mm	90mm	63mm	180mm	450cc—500cc	GO-kart, motocross atv, motorcycle, pit bike
PWK 40	46mm	40mm	90mm	63mm	180mm	500cc—600cc	GO-kart, motocross atv, motorcycle, pit bike





### PWK 24 RACING CARBURETOR

- Features:** Binding hoops connector  
 Workings made in CNC centers  
 Quick respond fuel supply  
 Chrome plating semicolumnar slide  
 Customized core components specialized for pro-racer  
 Computer numerical control machining cover, fueling screw



### PWK 26 RACING CARBURETOR

- Features:** Binding hoops connector  
 Workings made in CNC centers  
 Quick respond fuel supply  
 Chrome plating semicolumnar slide  
 Customized core components specialized for pro-racer  
 Computer numerical control machining cover, fueling screw



### PWK 36 RACING CARBURETOR

- Features:** Binding hoops connector  
 Workings made in CNC centers  
 Quick respond fuel supply  
 Chrome plating semicolumnar slide  
 Customized core components specialized for pro-racer  
 Computer numerical control machining cover, fueling screw



### PWK 38 RACING CARBURETOR

- Features:** Binding hoops connector  
 Workings made in CNC centers  
 Quick respond fuel supply  
 Chrome plating semicolumnar slide  
 Customized core components specialized for pro-racer  
 Computer numerical control machining cover, fueling screw



### PWK 28 RACING CARBURETOR

- Features:** Binding hoops connector  
 Workings made in CNC centers  
 Quick respond fuel supply  
 Chrome plating semicolumnar slide  
 Customized core components specialized for pro-racer  
 Computer numerical control machining cover, fueling screw



### PWK 30 RACING CARBURETOR

- Features:** Binding hoops connector  
 Workings made in CNC centers  
 Quick respond fuel supply  
 Chrome plating semicolumnar slide  
 Customized core components specialized for pro-racer  
 Computer numerical control machining cover, fueling screw



### PWK 40 RACING CARBURETOR

- Features:** Binding hoops connector  
 Workings made in CNC centers  
 Quick respond fuel supply  
 Chrome plating semicolumnar slide  
 Customized core components specialized for pro-racer  
 Computer numerical control machining cover, fueling screw



### PWK 32 RACING CARBURETOR

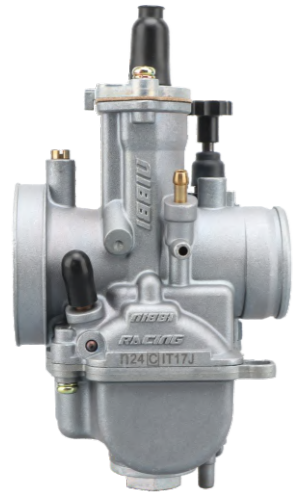
- Features:** Binding hoops connector  
 Workings made in CNC centers  
 Quick respond fuel supply  
 Chrome plating semicolumnar slide  
 Customized core components specialized for pro-racer  
 Computer numerical control machining cover, fueling screw



### PWK 34 RACING CARBURETOR

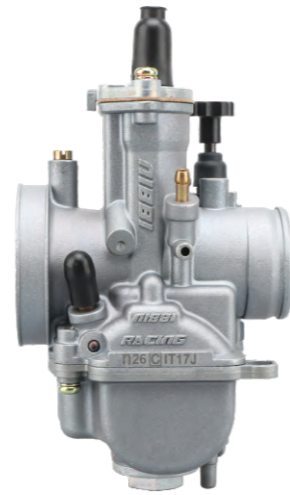
- Features:** Binding hoops connector  
 Workings made in CNC centers  
 Quick respond fuel supply  
 Chrome plating semicolumnar slide  
 Customized core components specialized for pro-racer  
 Computer numerical control machining cover, fueling screw





### PWK 24 SPORTS CARBURETOR

**Features:** Binding hoops connector  
Workings made in CNC centers  
Chrome plating Semicolumnar slide  
Quick respond fuel supply  
Carburetors die-cast in aluminum light alloy



### PWK 26 SPORTS CARBURETOR

**Features:** Binding hoops connector  
Workings made in CNC centers  
Chrome plating Semicolumnar slide  
Quick respond fuel supply  
Carburetors die-cast in aluminum light alloy



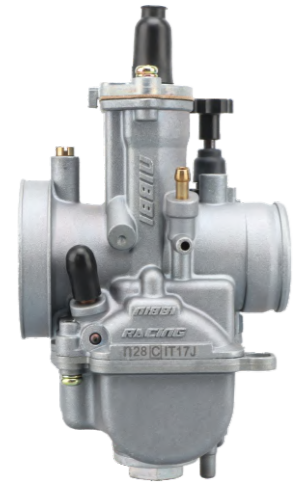
### PWK 36 SPORTS CARBURETOR

**Features:** Binding hoops connector  
Workings made in CNC centers  
Chrome plating Semicolumnar slide  
Quick respond fuel supply  
Carburetors die-cast in aluminum light alloy



### PWK 38 SPORTS CARBURETOR

**Features:** Binding hoops connector  
Workings made in CNC centers  
Chrome plating Semicolumnar slide  
Quick respond fuel supply  
Carburetors die-cast in aluminum light alloy



### PWK 28 SPORTS CARBURETOR

**Features:** Binding hoops connector  
Workings made in CNC centers  
Chrome plating Semicolumnar slide  
Quick respond fuel supply  
Carburetors die-cast in aluminum light alloy



### PWK 30 SPORTS CARBURETOR

**Features:** Binding hoops connector  
Workings made in CNC centers  
Chrome plating Semicolumnar slide  
Quick respond fuel supply  
Carburetors die-cast in aluminum light alloy



### PWK 40 SPORTS CARBURETOR

**Features:** Binding hoops connector  
Workings made in CNC centers  
Chrome plating Semicolumnar slide  
Quick respond fuel supply  
Carburetors die-cast in aluminum light alloy



### PWK 32 SPORTS CARBURETOR

**Features:** Binding hoops connector  
Workings made in CNC centers  
Chrome plating Semicolumnar slide  
Quick respond fuel supply  
Carburetors die-cast in aluminum light alloy



### PWK 34 SPORTS CARBURETOR

**Features:** Binding hoops connector  
Workings made in CNC centers  
Chrome plating Semicolumnar slide  
Quick respond fuel supply  
Carburetors die-cast in aluminum light alloy

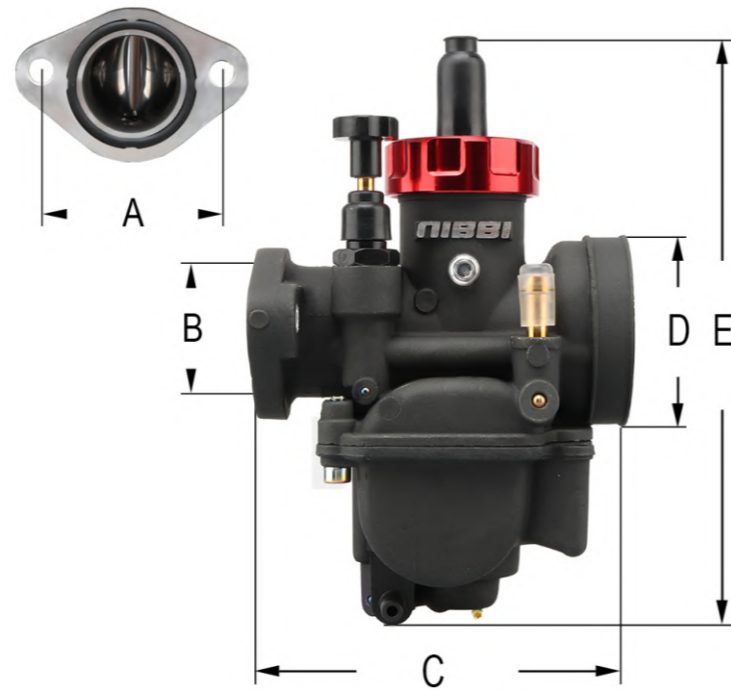


### PE FLANGE MODEL CARBURETOR

PE Carburetor features a cylindrical chute and is known for its stability in use. Moreover, it is made of aluminum alloy with anodic oxidation treatment on the surface, which greatly improves the corrosion resistance, wear resistance, insulation, heat resistance and hardness of the carburetor. Combined with NIBBI carburetor atomization technology, it allows for a responsive throttle, dramatically improving your motorcycle's performance and solving the problem of underpowered carburetors on the market.

#### Features

1. Flange mounting interface
2. Working made in CNC centers
3. Chrom plating cylindrical slide
4. Anodizing for anti-abrasion, anti-corrosion
5. Customized core components specialized for pro-racer



FLANGE MOUNTING INTERFACE



BINDING HOOPS CONNECTOR

Carburetor	17FL	19FL	22FL	24FL	26FL	28FL
Stroke	4T	4T	4T	4T	4T	4T
Air Screw	1½	1½	1½	1½	1½	1½
Jet Needle	4	4	4	3	3	4
Main Jet	#90	#98	#98	#112	#115	#112
Pilot Jet	#32	#32	#32	#40	#40	#40

Model	A Outer Diameter (Bore Diamention)	B Inner Diameter	C	D Intake Diameter	E	Displacement	Applyto Application
PE 17FL	48mm	17mm	88mm	46mm	141mm	110cc	GO-kart, motocross atv, motorcycle, pit bike
PE 19FL	48mm	19mm	88mm	46mm	141mm	125cc	GO-kart, motocross atv, motorcycle, pit bike
PE 22FL	48mm	22mm	88mm	46mm	141mm	140cc	GO-kart, motocross atv, motorcycle, pit bike
PE 24FL	48mm	24mm	88mm	46mm	141mm	150cc—160cc	GO-kart, motocross atv, motorcycle, pit bike
PE 26FL	48mm	26mm	88mm	49.5mm	155mm	175cc—200cc	GO-kart, motocross atv, motorcycle, pit bike
PE 28FL	48mm	28mm	88mm	49.5mm	155mm	200cc—250cc	GO-kart, motocross atv, motorcycle, pit bike





**PE 17 RACING FLANGE MODEL CARBURETOR**

**Features:** Flange mounting interface  
 Chrom plating cylindrical slide  
 Anodizing for anti-abrasion, anti-corrosion  
 Customized core components specialized for pro-racer



**PE 19 RACING FLANGE MODEL CARBURETOR**

**Features:** Flange mounting interface  
 Chrom plating cylindrical slide  
 Anodizing for anti-abrasion, anti-corrosion  
 Customized core components specialized for pro-racer



**PE 17 SPORTS FLANGE MODEL CARBURETOR**

**Features:** Flange mounting interface  
 Working made in CNC-machined and finishing  
 Chrom plating cylindrical slide  
 Carburetors die-cast in aluminum light alloy



**PE 19 SPORTS FLANGE MODEL CARBURETOR**

**Features:** Flange mounting interface  
 Working made in CNC-machined and finishing  
 Chrom plating cylindrical slide  
 Carburetors die-cast in aluminum light alloy



**PE 22 RACING FLANGE MODEL CARBURETOR**

**Features:** Flange mounting interface  
 Chrom plating cylindrical slide  
 Anodizing for anti-abrasion, anti-corrosion  
 Customized core components specialized for pro-racer



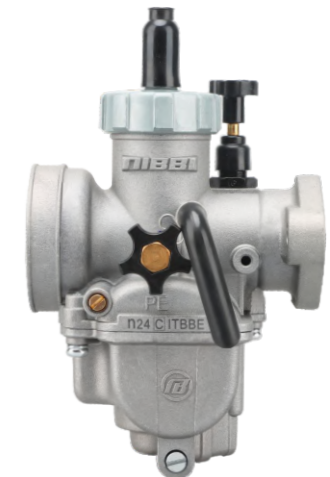
**PE 24 RACING FLANGE MODEL CARBURETOR**

**Features:** Flange mounting interface  
 Chrom plating cylindrical slide  
 Anodizing for anti-abrasion, anti-corrosion  
 Customized core components specialized for pro-racer



**PE 22 SPORTS FLANGE MODEL CARBURETOR**

**Features:** Flange mounting interface  
 Working made in CNC-machined and finishing  
 Chrom plating cylindrical slide  
 Carburetors die-cast in aluminum light alloy



**PE 24 SPORTS FLANGE MODEL CARBURETOR**

**Features:** Flange mounting interface  
 Working made in CNC-machined and finishing  
 Chrom plating cylindrical slide  
 Carburetors die-cast in aluminum light alloy



**PE 26 RACING FLANGE MODEL CARBURETOR**

**Features:** Flange mounting interface  
 Chrom plating cylindrical slide  
 Anodizing for anti-abrasion, anti-corrosion  
 Customized core components specialized for pro-racer



**PE 28 RACING FLANGE MODEL CARBURETOR**

**Features:** Flange mounting interface  
 Chrom plating cylindrical slide  
 Anodizing for anti-abrasion, anti-corrosion  
 Customized core components specialized for pro-racer



**PE 26 SPORTS FLANGE MODEL CARBURETOR**

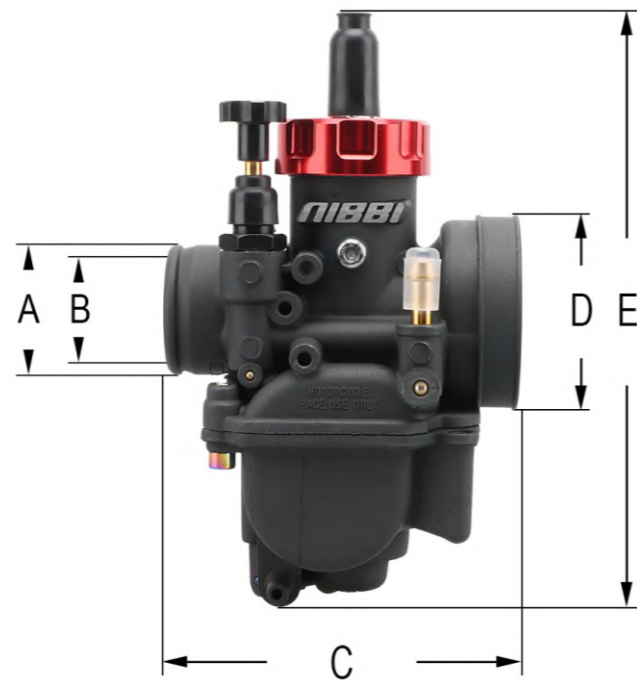
**Features:** Flange mounting interface  
 Working made in CNC-machined and finishing  
 Chrom plating cylindrical slide  
 Carburetors die-cast in aluminum light alloy



**PE 28 SPORTS FLANGE MODEL CARBURETOR**

**Features:** Flange mounting interface  
 Working made in CNC-machined and finishing  
 Chrom plating cylindrical slide  
 Carburetors die-cast in aluminum light alloy





## PE CARBURETOR

PE Carburetor features a cylindrical chute and is known for its stability in use. Moreover, it is made of aluminum alloy with anodic oxidation treatment on the surface, which greatly improves the corrosion resistance, wear resistance, insulation, heat resistance and hardness of the carburetor. Combined with NIBBI carburetor atomization technology, it allows for a responsive throttle, dramatically improving your motorcycle's performance and solving the problem of underpowered carburetors on the market.

### Features

1. Flange mounting interface
2. Working made in CNC centers
3. Chrom plating cylindrical slide
4. Anodizing for anti-abrasion, anti-corrosion
5. Customized core components specialized for pro-racer

<b>Carburetor</b>	24	26	28	30
<b>Stroke</b>	4T	4T	4T	4T
<b>Air Screw</b>	1½	1½	1½	1½
<b>Jet Needle</b>	3	3	3	3
<b>Main Jet</b>	#105	#110	#115	#128
<b>Pilot Jet</b>	#40	#40	#40	#40



Model	A Outer Diameter (Bore Diameter)	B Inner Diameter	C	D Intake Diameter	E	Displacement	Apply to Application
PE 24	31mm	24mm	82mm	46mm	138mm	100cc—125cc	GO-kart, motocross atv, motorcycle, pit bike
PE 26	33mm	26mm	82mm	48mm	142mm	150cc—200cc	GO-kart, motocross atv, motorcycle, pit bike
PE 28	35mm	28mm	82mm	49.5mm	150mm	200cc—250cc	GO-kart, motocross atv, motorcycle, pit bike
PE 30	35mm	30mm	82mm	49.5mm	150mm	250cc—300cc	GO-kart, motocross atv, motorcycle, pit bike





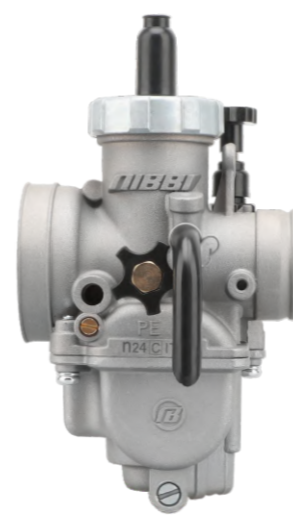
### PE 24 RACING CARBURETOR

**Features:** Binding hoops connector  
Chrom plating cylindrical slide  
Anodizing for anti-abrasion, anti-corrosion  
Ustomized core components specialized for pro-racer



### PE 26 RACING CARBURETOR

**Features:** Binding hoops connector  
Chrom plating cylindrical slide  
Anodizing for anti-abrasion, anti-corrosion  
Ustomized core components specialized for pro-racer



### PE 24 SPORTS CARBURETOR

**Features:** Binding hoops connector  
Chrom plating cylindrical slide  
Anodizing for anti-abrasion, anti-corrosion  
Ustomized core components specialized for pro-racer



### PE 26 SPORTS CARBURETOR

**Features:** Binding hoops connector  
Chrom plating cylindrical slide  
Anodizing for anti-abrasion, anti-corrosion  
Ustomized core components specialized for pro-racer



### PE 28 RACING CARBURETOR

**Features:** Binding hoops connector  
Chrom plating cylindrical slide  
Anodizing for anti-abrasion, anti-corrosion  
Ustomized core components specialized for pro-racer



### PE 30 RACING CARBURETOR

**Features:** Binding hoops connector  
Chrom plating cylindrical slide  
Anodizing for anti-abrasion, anti-corrosion  
Ustomized core components specialized for pro-racer



### PE 28 SPORTS CARBURETOR

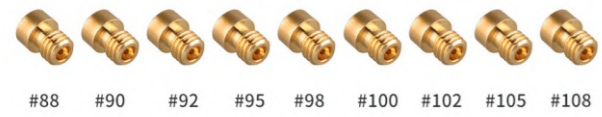
**Features:** Binding hoops connector  
Chrom plating cylindrical slide  
Anodizing for anti-abrasion, anti-corrosion  
Ustomized core components specialized for pro-racer



### PE 30 SPORTS CARBURETOR

**Features:** Binding hoops connector  
Chrom plating cylindrical slide  
Anodizing for anti-abrasion, anti-corrosion  
Ustomized core components specialized for pro-racer

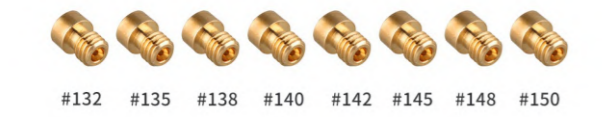




#88 #90 #92 #95 #98 #100 #102 #105 #108



#110 #112 #115 #118 #120 #122 #125 #128 #130



#132 #135 #138 #140 #142 #145 #148 #150

### MAIN JET FOR PE CARBURETOR

**Features:** Made to offer outstanding performance  
Complies with stringent industry standards to provide superior longevity  
Manufactured using state-of-the-art equipment and software

**Specifications:** #88 #90 #92 #95 #98 #100 #102 #105 #108 #110 #112 #115 #118 #120 #122 #125 #128 #130 #132 #135 #128 #130 #132 #135 #138 #140 #142 #145 #148 #150



#95 #98 #100 #102 #105 #108 #110 #112 #115



#120 #125 #128 #130 #132 #135 #138 #140 #142



#145 #148 #150 #152 #155 #158 #160 #165

### MAIN JET FOR PWK FCR CARBURETOR

**Features:** Made to offer outstanding performance  
Complies with stringent industry standards to provide superior longevity  
Manufactured using state-of-the-art equipment and software

**Specifications:** #95 #98 #100 #102 #105 #108 #110 #112 #115 #118 #120 #125 #128 #130 #132 #135 #138 #140 #142 #145 #148 #150 #152 #155 #158 #160 #165



### REBUILD KIT FOR PE CARBURETOR

**Features:** After years of trial and testing  
Quality materials  
Optimal performance  
Unique, reliable and practical  
Withstand harsh conditions

**Specifications:** Top Cover Assembly\*1, Fuel Mixture Screw\*1  
Float Bowl Gasket\*1, Silicone Sleeve\*1, Float Needle\*1  
Slide Spring\*1, Jet Needle\*1, Jet Holder\*1, Float Pin\*1  
Main Jet\*1, Pilot Jet\*1, O-ring\*1, Gasket\*1, Slide\*1  
Float\*1, Bolt\*2, Clip\*1



### REBUILD KIT FOR PWK CARBURETOR

**Features:** After years of trial and testing  
Quality materials  
Optimal performance  
Unique, reliable and practical  
Withstand harsh conditions

**Specifications:** High-speed Oil Refill Fuel Line\*1, Top Cover Assembly\*1  
Fuel Mixture Screw\*1, Float Bowl Gasket\*1, Bottom Cover\*1  
Silicone Sleeve\*1, Float Needle\*1, Slide Spring\*1, Jet Needle\*1  
Jet Holder\*1, Float Pin\*1, Main Jet\*1, Pilot Jet\*1, O-ring\*1, Collar\*1  
Slide\*1, Float\*1, Bolt\*4



### PILOT JET FOR CARBURETOR

**Features:** Made to offer outstanding performance  
Complies with stringent industry standards to provide superior longevity  
Manufactured using state-of-the-art equipment and software

**Specifications:** #30 #32 #35 #38 #40 #42 #45 #48



### FUEL BAFFLA-MAIN JET PLASTIC BAFFLE

**Features:** After years of trial and testing  
Quality materials  
Optimal performance  
Unique, reliable and practical  
Withstand harsh conditions

**Specifications:** high:16.7mm long:25.3mm Bottom inner diameter:18.5mm  
Top inner diameter:12.5mm



### SLIDE FOR PE CARBURETOR

**Features:** After years of trial and testing  
Quality materials  
Optimal performance  
Unique, reliable and pr  
Withstand harsh conditions



### SLIDE FOR PWK CARBURETOR

**Features:** After years of trial and testing  
Quality materials  
Optimal performance  
Unique, reliable and practical  
Withstand harsh conditions



### CHOKE PLUNGER

**Features:** Made to offer outstanding performance  
Complies with stringent industry standards to provide superior longevity  
Manufactured using state-of-the-art equipment and software



### CARBURETOR FLOAT

**Features:** Brand new fuel bowl float  
These replace old PWK or PE carbs



### JET BLOCK O-RING GASKET-PWK CARBURETOR

**Features:** Expert craftsmanship and superior longevity  
Expertly Crafted from the highest grade materials



### JET NEEDLE

**Features:** After years of trial and testing  
Quality materials  
Optimal performance  
Unique, reliable and practical  
Withstand harsh conditions





### AIR FILTER ADAPTER 48-37

**Features:** Expertly designed by industry-leading innovators in the motorcycle industry  
Expert craftsmanship and superior longevity  
Expertly Crafted from the highest grade materials  
**Material:** silicone , aluminum alloy  
**Size:** 48mm-37mm



### AIR FILTER ADAPTER 48-44

**Features:** Expertly designed by industry-leading innovators in the motorcycle industry  
Expert craftsmanship and superior longevity  
Expertly Crafted from the highest grade materials  
**Specifications:** silicone , aluminum alloy  
**Size:** 48mm-44mm



### CARBURETOR CONVERSION HOLDER 33 MM

**Features:** Expertly designed by industry-leading innovators in the motorcycle industry  
Expert craftsmanship and superior longevity  
Expertly Crafted from the highest grade materials  
**Material:** metal,rubber  
**Size:** High: 28mm, Flange bolt center: 46.5mm, Flange bore: 28mm  
Rubber boots bore: 33mm



### CARBURETOR HOLDER KIT

**Features:** Expertly designed by industry-leading innovators in the motorcycle industry  
Expert craftsmanship and superior longevity  
Expertly Crafted from the highest grade materials  
**Specifications:** silicone , aluminum alloy  
**Size:** Full length: 68mm, Flange bolt center: 61mm, Flange bore: 30mm  
Rubber boots bore: 32mm



### AIR FILTER ADAPTER 54-48

**Features:** Expertly designed by industry-leading innovators in the motorcycle industry  
Expert craftsmanship and superior longevity  
Expertly Crafted from the highest grade materials  
**Material:** silicone , aluminum alloy  
**Size:** 54mm-48mm



### CARBURETOR INTAKE RUBBER BOOTS 33-38

**Features:** Expert craftsmanship and superior longevity  
Expertly Crafted from the highest grade materials  
**Material:** silicone  
**Size:** 33mm-38mm



### CG CARBURETOR UNIVERSAL HOLDER KIT

**Features:** Expertly designed by industry-leading innovators in the motorcycle industry  
Expert craftsmanship and superior longevity  
Expertly Crafted from the highest grade materials  
**Material:** silicone , aluminum alloy  
**Size:** Full length: 40mm, Flange bolt center: 48mm, Flange bore: 28mm  
Rubber boots bore: 32mm



### GY6 CARBURETOR HOLDER KIT

**Features:** Expertly designed by industry-leading innovators in the motorcycle industry  
Expert craftsmanship and superior longevity  
Expertly Crafted from the highest grade materials  
**Material:** metal,rubber  
**Size:** Full length: 85mm, Flange bolt center: 44.5mm, Flange bore: 26mm  
Rubber boots bore: 32mm



### CARBURETOR INTAKE RUBBER BOOTS 33MM

**Features:** Expert craftsmanship and superior longevity  
Expertly Crafted from the highest grade materials  
**Material:** silicone  
**Size:** 33mm



### CARBURETOR INTAKE RUBBER BOOTS 38MM

**Features:** Expert craftsmanship and superior longevity  
Expertly Crafted from the highest grade materials  
**Material:** silicone  
**Size:** 38mm



### UNIVERSAL CARBURETOR HOLDER 33MM

**Features:** Expertly designed by industry-leading innovators in the motorcycle industry  
Expert craftsmanship and superior longevity  
Expertly Crafted from the highest grade materials  
**Material:** metal,rubber  
**Size:** High: 45mm, Flange bolt center: 60.5mm, Flange bore: 30mm  
Rubber boots bore: 30mm





### FACTORY RACING THROTTLE TWIST GRIP TUBE

- Elegant anodized surface
- Visual highlight with technical and ergonomic added value
- The brake or clutch fitting rotates in the event of a fall
- Suitable for all hydraulic BREMBO® brake systems



### GRIP SET

- Developed according to the requirements of our Factory Riders
- Less stress when riding
- Objective: comfort AND safety
- Ergonomic contour adapted to the shape of the hand for maximum comfort
- Half waffle grip - For a secure grip
- Three areas for the metal wire locking



### LOCK-ON GRIP SET

- Right grip permanently glued to the throttle grip
- Left grip with aluminum clamping ring for fixing on the handlebar
- Inconvenient gluing and securing with wire no longer necessary







### CB CLUTCH CABLE

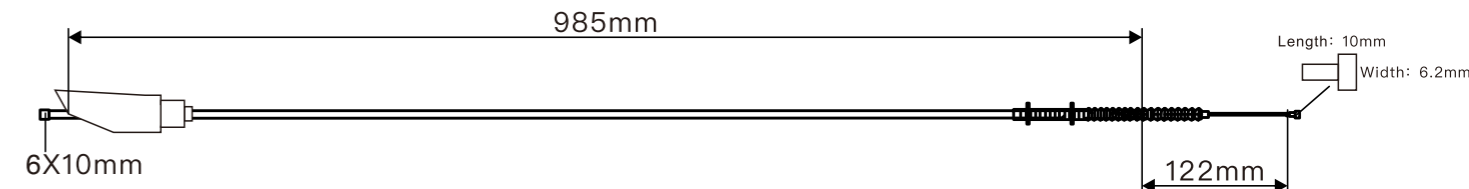
**Features:** Multi-color personalization options  
 High quality material, UV protection, no discoloration  
 Precisely engineered to ensure ultimate efficiency  
 Absolute quality, great durability, and solid workmanship

**Color:** Red, yellow, green, orange, black

**Housing Length:** 985mm/38.8"

**Free Length:** 122mm/4.8"

**Material:** PVC skin tube, 316 wire core, Teflon lining



### CB THROTTLE CABLE

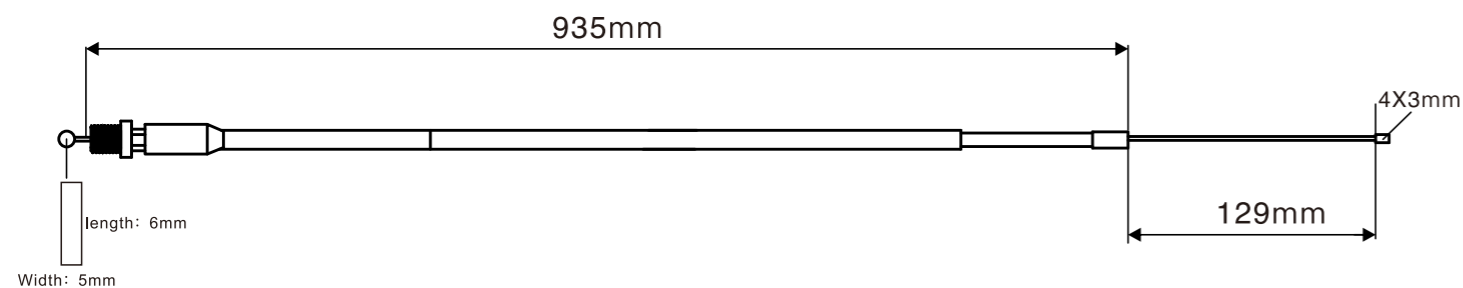
**Features:** Multi-color personalization options  
 High quality material, UV protection, no discoloration  
 Precisely engineered to ensure ultimate efficiency  
 Absolute quality, great durability, and solid workmanship

**Color:** red, yellow, orange, green, black

**Housing Length:** 935mm/36.8"

**Free Length:** 129mm/5.1"

**Material:** PVC skin tube, 316 wire core, Teflon lining



### NC DIRT BIKE THROTTLE CABLE

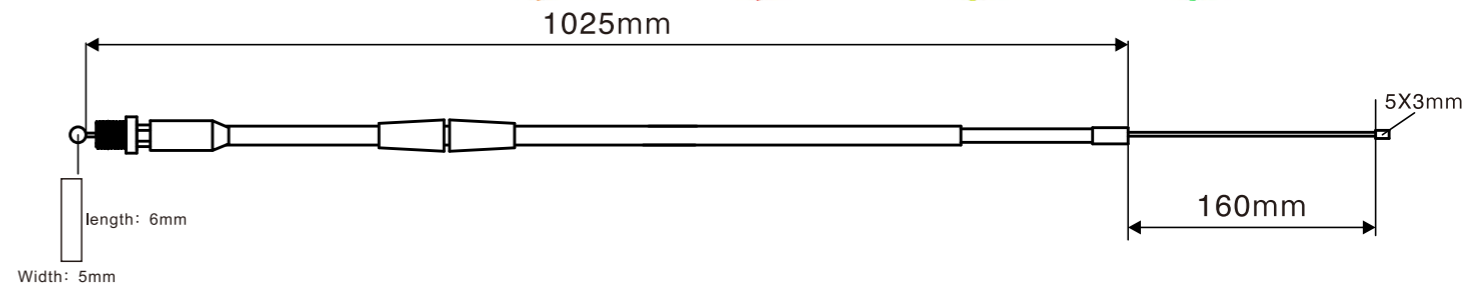
**Features:** Multi-color personalization options  
 High quality material, UV protection, no discoloration  
 Precisely engineered to ensure ultimate efficiency  
 Absolute quality, great durability, and solid workmanship

**Color:** red, yellow, orange, green, black

**Housing Length:** 1025mm/40.3"

**Free Length:** 160mm/6.3"

**Material:** PVC skin tube, 316 wire core, Teflon lining





### NC DIRT BIKE CLUTCH CABLE

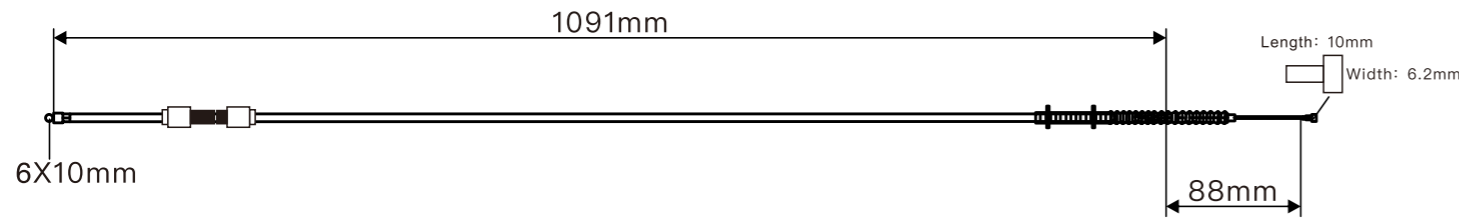
**Features:** Multi-color personalization options  
High quality material, UV protection, no discoloration  
Precisely engineered to ensure ultimate efficiency  
Absolute quality, great durability, and solid workmanship

**Color:** Red, yellow, green, orange, black

**Housing Length:** 1091mm/42.9"

**Free Length:** 88mm/3.5"

**Material:** PVC skin tube, 316 wire core, Teflon lining



### FCR THROTTLE CABLE

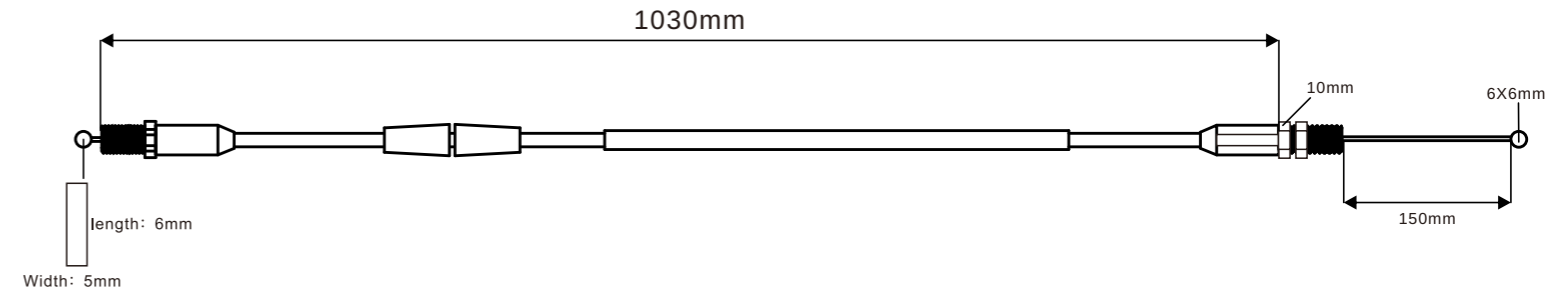
**Features:** Multi-color personalization options  
High quality material, UV protection, no discoloration  
Precisely engineered to ensure ultimate efficiency  
Absolute quality, great durability, and solid workmanship

**Color:** black

**Housing Length:** 1030mm/40.5"

**Free Length:** 150mm/5.9"

**Material:** PVC skin tube, 316 wire core, Teflon lining



### NB THROTTLE CABLE

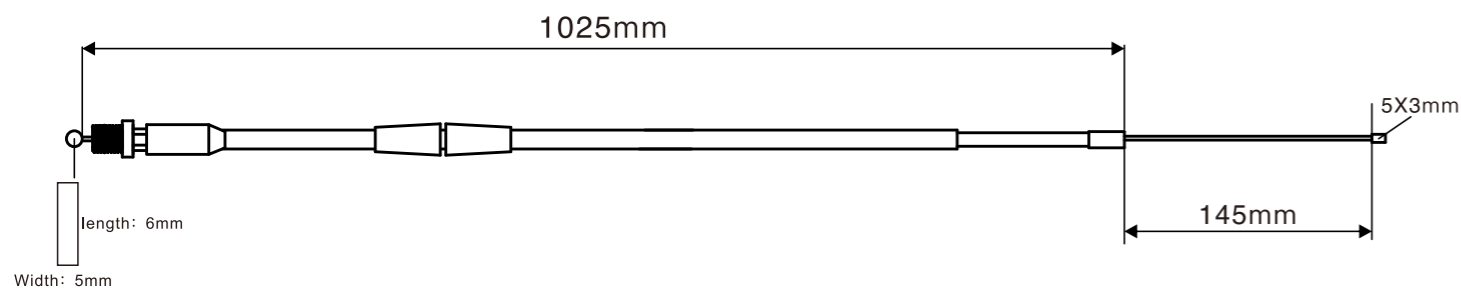
**Features:** Multi-color personalization options  
High quality material, UV protection, no discoloration  
Precisely engineered to ensure ultimate efficiency  
Absolute quality, great durability, and solid workmanship

**Color:** red, yellow, orange, green, black

**Housing Length:** 1025mm/40.3"

**Free Length:** 145mm/5.7"

**Material:** PVC skin tube, 316 wire core, Teflon lining



### PE THROTTLE CABLE

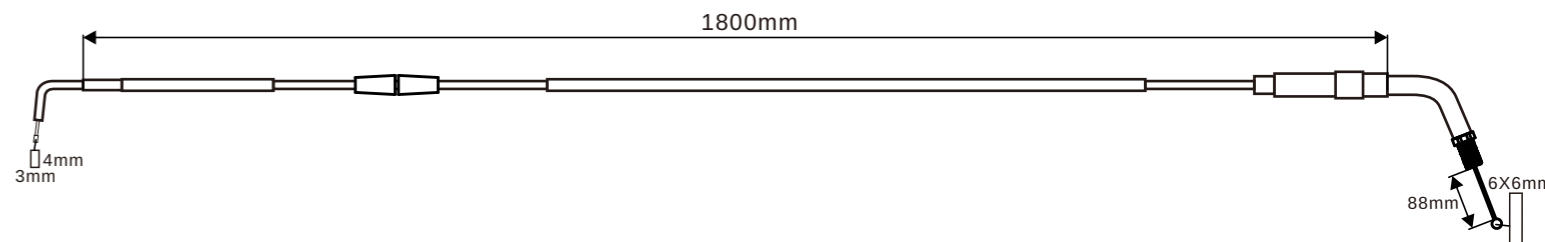
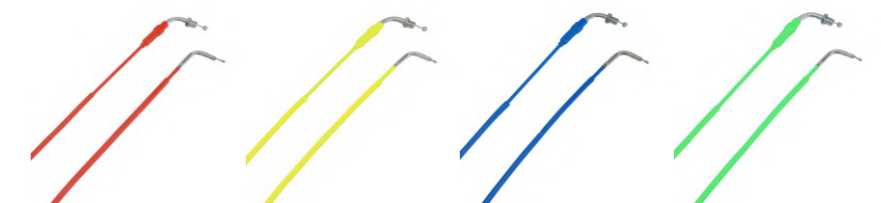
**Features:** Multi-color personalization options  
High quality material, UV protection, no discoloration  
Precisely engineered to ensure ultimate efficiency  
Absolute quality, great durability, and solid workmanship

**Color:** red, yellow, orange, green, black

**Housing Length:** 1025mm/40.3"

**Free Length:** 145mm/5.7"

**Material:** PVC skin tube, 316 wire core, Teflon lining







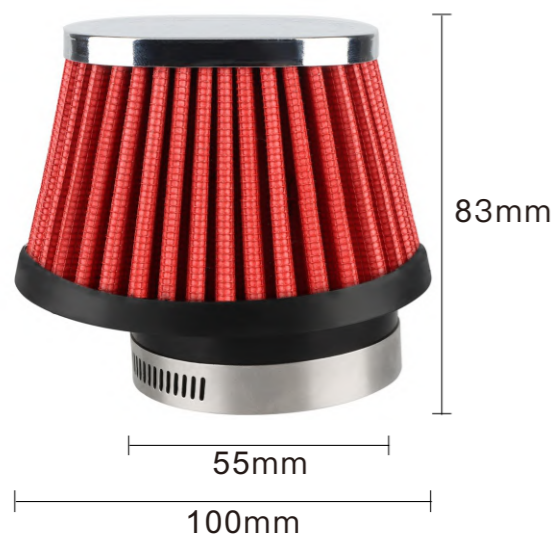
## HIGH PERFORMANCE AIR FILTER

**Features:** ABS material  
Polyurethane foam  
Bar-shaped air intake grille to increase the flow rate

**Color:** red, black  
**Type:** Straight, Coned  
**Size:** 42mm, 48mm







## HIGH FLOW AIR FILTER

**Features:** Three-layer filter protection  
Can be reused after water cleaned  
Lead-in air inlet design  
Increase flow rate

**Color:** red, black

**Type:** Straight, Coned

**Size:** 35mm, 42mm, 48mm, 55mm





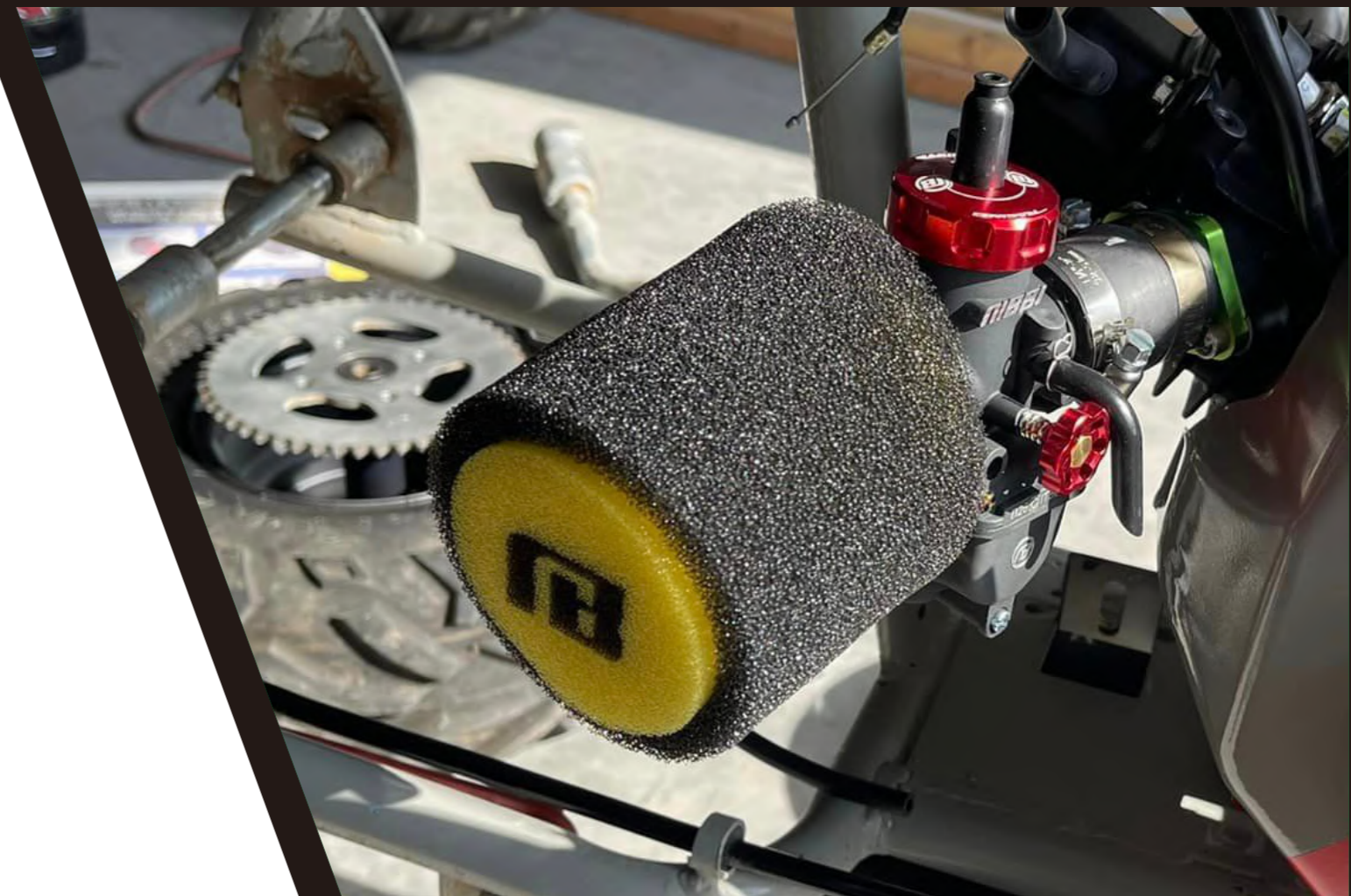


## HIGH FLOW SPONGE AIR FILTER

**Features:** Polyurethane flame retardant material  
fireproof function

**Type:** Coned

**Size:** 35mm、45mm、49mm







### SINGLE-DENSITY POLYURETHANE FOAM

Easy To Clean, Can Still Maintain Its Original Shape After Multiple Washings. Compared With Traditional Foam Filters, It Has Better Anti-fouling And Prolonged Service Life. It Can Still Maintain A Higher Intake Air Flow Rate When Dirty

### CONTOUR CUTTING

Contour Cutting, Single-layer, Single-density Sponge, Which Can Double The Outer Surface Area Of The Filter Without Increasing The Original Size. The Larger Area Captures Dust, Sand And Mud To Prevent Air From Entering The Engine, Thereby Damaging The Engine

10mm Inner Filter Sponge Captures Fine Particles Of Sand And Powder

The 5 Mm Outer Foam Sponge Captures The Larger Dust Particles

The Pu Glue Adhesion Is Not Easy To Fall Off



A 14 Mm Sealed Foam Sponge







### AIR FILTER NB 152218

**Applicable Brand:** YAMAHA  
**Motorcycle Models:** YZ 250F (2014-2018) WR 250F (2015-2019)  
 WR 450F (2015-2018) YZ 450F (2014-2017)  
 YZ 450FX (2017-2018)



### AIR FILTER NB 152213

**Applicable Brand:** YAMAHA  
**Motorcycle Models:** WR 400F (1998-2000) WR 426F (2001-2002)  
 YZ 250F (2001-2013) YZ 400F (1998-1999)  
 YZ 426F (2000-2002) WR 250F (2001-2002)  
 YZ 450F (2003-2009) YZ 125 (1997-2018)  
 YZ 250 (1997-2018)



### AIR FILTER NB 151119

**Applicable Brand:** KAWASAKI  
**Motorcycle Models:** KX 450F (2006-2015) KX 250F (2006-2016)



### AIR FILTER NB 151121

**Applicable Brand:** KAWASAKI  
**Motorcycle Models:** KX 450F (2016-2018) KX 250F (2017-2019)



### AIR FILTER NB 152221

**Applicable Brand:** YAMAHA  
**Motorcycle Models:** YZ 250F (2019-2020) WR 450F (2019-2019)  
 YZ 450F (2018-2020) YZ 450FX (2019-2019)



### AIR FILTER NB 152012

**Applicable Brand:** YAMAHA  
**Motorcycle Models:** YZ 85 (2002-2019)



### AIR FILTER NB 7801

**Applicable Brand:** KAWASAKI  
**Motorcycle Models:** KX450F (2019)



### AIR FILTER NB 154116

**Applicable Brand:** KTM Husqvarna  
**Motorcycle Models:** 250 EXC-F (2017-2020) 250 SX-F (2016-2020)  
 250 XC-F (2016-2020) 250 XCF-W (2017-2020)  
 350 EXC-F (2017-2020) 350 SX-F (2016-2020)  
 350 XC-F (2016-2020) 350 XCF-W (2017-2020)  
 FC 250 (2016-2020) FC 350 (2016-2020)  
 FC 450 (2016-2020) FE 250 (2017-2020)  
 FE 350 (2017-2020) FE 450 (2017-2020)  
 TE 350 (2017-2020) FE 501 (2017-2020)



### AIR FILTER NB 150224

**Applicable Brand:** HONDA  
**Motorcycle Models:** CRF 250 R (2018-2019) CRF 450 R (2017-2019)  
 CRF 450 RX (2017-2019)



### AIR FILTER NB 150221

**Applicable Brand:** HONDA  
**Motorcycle Models:** CRF 250 R (2014-2017) CRF 450 R (2013-2016)



### AIR FILTER NB 154115

**Applicable Brand:** KTM Husqvarna  
**Motorcycle Models:** 450 EXC (2011-2016) 450 KCF-W (2011-2016)  
 500 EXC-F (2012-2016) 520 EXC-F (2012-2016)  
 530 EXC-F (2012-2016) 550 EXC-F (2012-2016)  
 250 SX-F (2011-2015) 250 XCF-F (2011-2015)  
 250 KCF-W (2012-2016) 250 EXC-F (2011-2016)  
 350 SX-F (2011-2015) 350 XCF-F (2011-2015)  
 350 KCF-W (2011-2016) 400 SX-F (2011-2015)  
 450 KCF-F (2011-2015) 125 SX (2011-2015)  
 125 EXC (2012-2016) 250 SX (2012-2016)  
 250 XC (2011-2016) 300 EXC (2012-2016)  
 300 KCF-W (2012-2016) 200 EXC (2012-2016)  
 200 KCF-W (2012-2016) 200 EXC (2012-2016)  
 250 KCF-W (2012-2016) 250 EXC (2012-2016)  
 250 KCF-W (2012-2016) 85 SX (2013-2017)  
 150 SX (2011-2015) 150 XC (2011-2015)



### AIR FILTER NB 153156

**Applicable Brand:** SUZUKI  
**Motorcycle Models:** FC 250 (2014-2015) FC 350 (2013-2015)  
 FC 450 (2014-2015) FE 250 (2014-2016)  
 FE 350 (2013-2016) FE 450 (2013-2016)  
 FS 450 (2014-2015) FE 501 (2014-2016)  
 TC 125 (2014-2015) TC 250 (2014-2015)  
 ET 8 (2014-2017) AT 125 (2014-2016)  
 TE 250 (2014-2016) TE 300 (2014-2016)





**AIR FILTER NB 153220**

**Applicable Brand:** SUZUKI  
**Motorcycle Models:** RMZ 250 (2019-2020) RMZ 450 (2018-2020)



**AIR FILTER NB1 53215**

**Applicable Brand:** KAWASAKI  
**Motorcycle Models:** RMZ 250 (2007-2018) RMZ 450 (2005-2017)  
 RM 125 (2004-2010) RM 250 (2003-2008)



**AIR FILTER NB 158033**

**Applicable Brand:** BEAT  
**Motorcycle Models:** RR 2502T (2013-2019) RR 300 2T (2013-2019)  
 RR 3504T (2013-2019) RR 390 4T (2013-2019)  
 RR 430 4T (2015-2019) RR 4804T (2015-2019)  
 RR 4004T (2013-2019) RR 450 4T (2013-2019)  
 RR 498 4T (2013-2019) RS 3904T (2015-2019)  
 RS 4304T (2015-2019) RS 5004T (2015-2019)



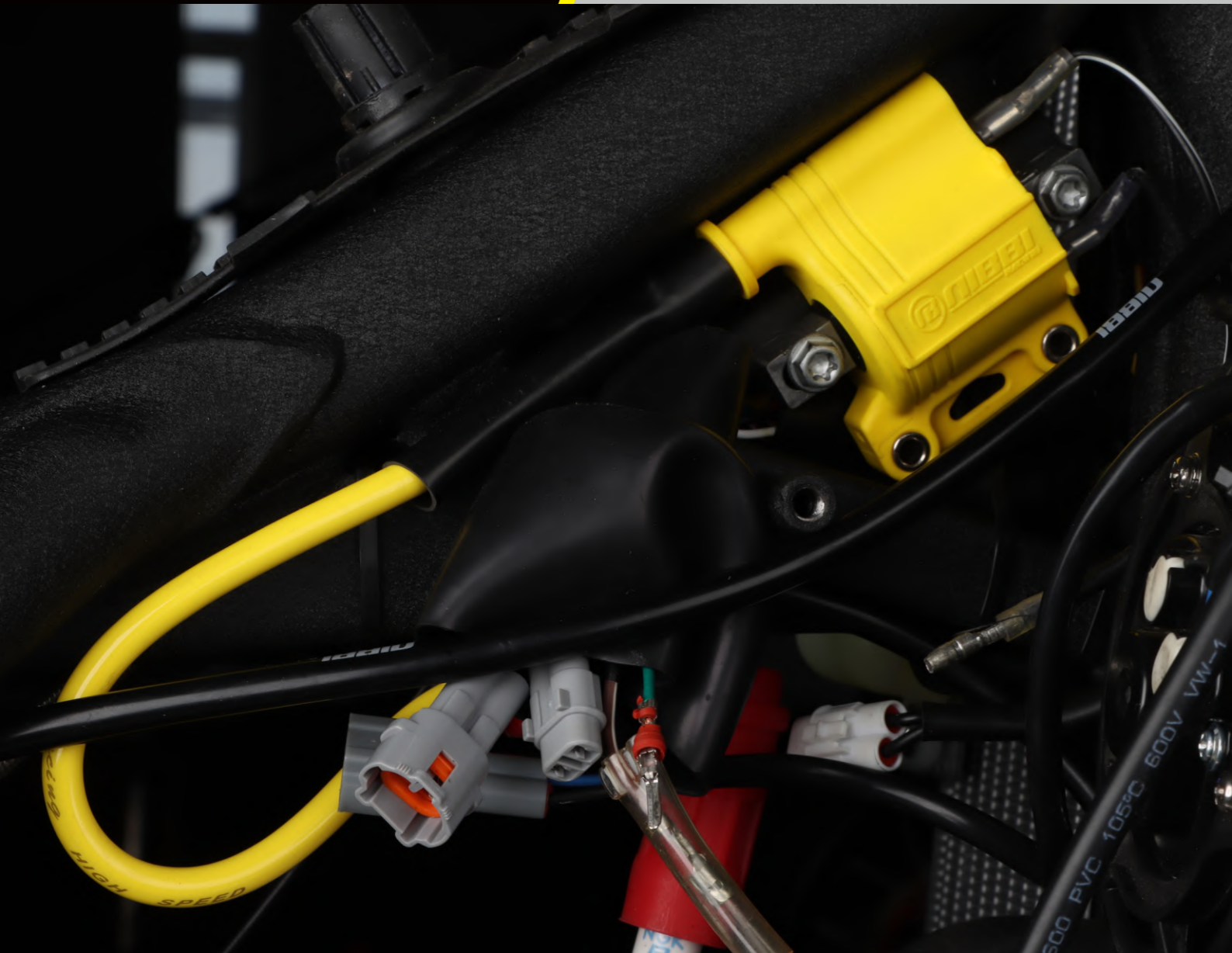
**AIR FILTER NB 158089**

**Applicable Brand:** BEAT  
**Motorcycle Models:** RR 125 2T (2020-2020) RR 200 2T (2020-2020)  
 RR 250 2T (2020-2020) RR 300 2T (2020-2020)  
 RR 350 4T (2020-2020) RR 390 4T (2020-2020)  
 RR 430 4T (2020-2020) RR 480 4T (2020-2020)





# IGNITION SYSTEM



## NIBBI RACING CDI

### Features:

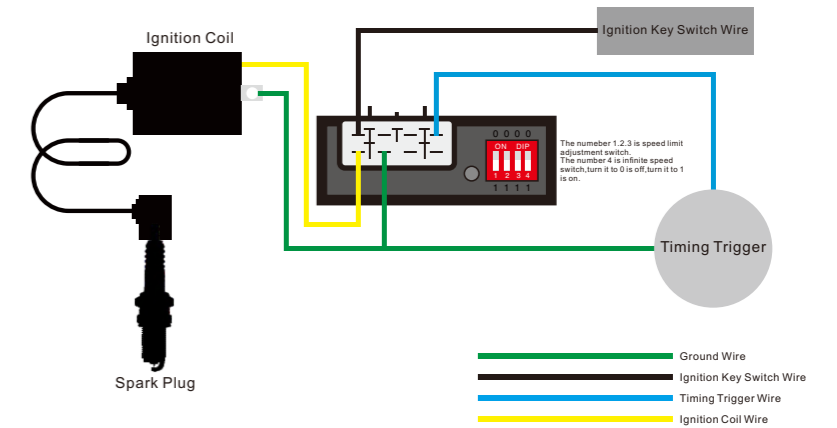
Multi-stage Mode Adjustable  
Imported Chips, Low Energy Consumption, Anti-jamming  
Soft Rubber Wraps The Inner Core, Stable And Durable

Size: 63mm X 26mm X 30mm

Suitable: NC250、NC300



NIBBI 8 Pin DC CDI Wiring Diagram



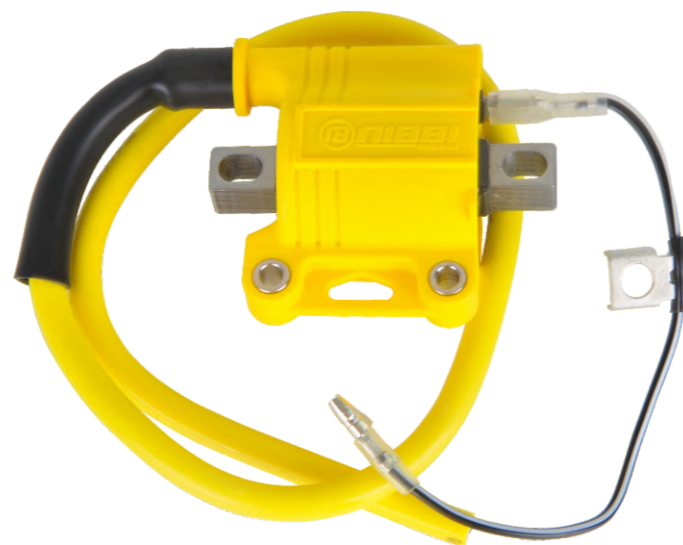
## NIBBI RACING IGNITION COIL

### Features:

High Pressure And High Temperature Resistance  
Soft Rubber Wrapped Inner Core  
Quick Response To Ignition

Type: Carburetor model

Suitable: All 4-stroke model



## NIBBI IRIIDIUM SPARK PLUGS

### Features:

Iridium alloy has an extremely high melting point  
Fine wire center electrode ensures high durability and a consistently stable spark  
Ultra-small diameter center electrode reduces voltage requirement and extends ignition system life  
Triple seals prevent leakage

#### R91VD

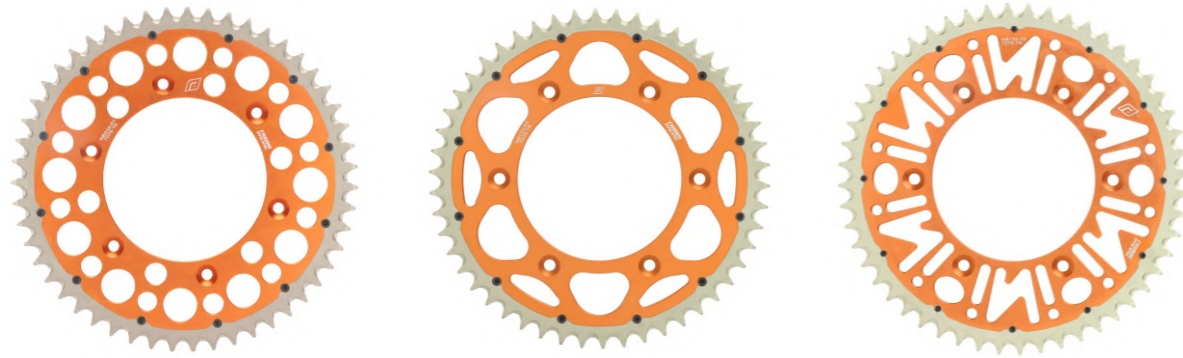
Diameter of thread: 10mm  
Length of thread: 19mm  
Six side size: 16mm  
Calorific value: 9

#### D8R1VD

Diameter of thread: 12mm  
Length of thread: 19mm  
Six side size: 17.5mm  
Calorific value: 8







### STEALTH REAR SPROCKET FOR KTM

**Features:** Steel outer ring + aluminum inner ring combination Precision CNC machining  
 Nickel-plated steel outer ring Special riveting process

**Type:** 49Tooth、50Tooth、51Tooth、52Tooth

**Weight:** 388.5g

**Size:** Inner diameter 125mm,Center Hole Distance 150mm



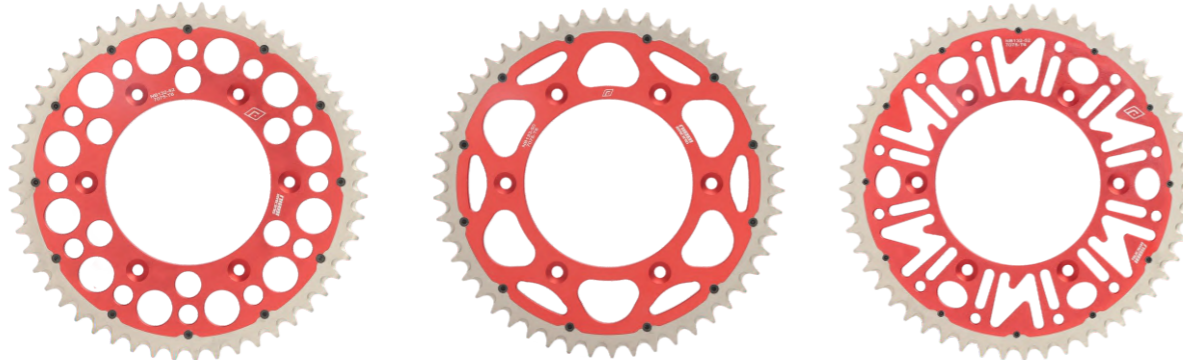
### MADE OF HIGH-STRENGTH ALUMINUM FOR KTM

**Features:** Lightweight 7075-t6 Aluminum Alloy Material, precision Cnc Processing, Minimal Tolerance  
 Groove Prevents Mud Accumulation And Extends The Service Life Groove

**Type:** 49Tooth、50Tooth、51Tooth、52Tooth

**Weight:** 388.5g

**Size:** Inner diameter 125mm,Center Hole Distance 150mm



### STEALTH REAR SPROCKET FOR HONDA

**Features:** Steel outer ring + aluminum inner ring combination Precision CNC machining  
 Nickel-plated steel outer ring Special riveting process

**Type:** 49Tooth、50Tooth、51Tooth、52Tooth

**Weight:** 388.5g

**Size:** Inner diameter 125mm,Center Hole Distance 153mm



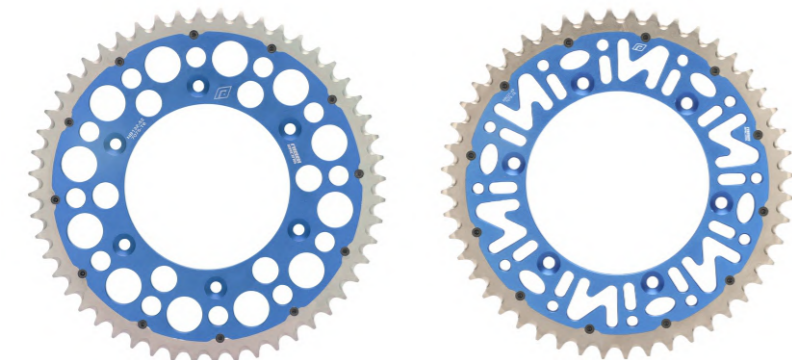
### MADE OF HIGH-STRENGTH ALUMINUM FOR HONDA

**Features:** Lightweight 7075-t6 Aluminum Alloy Material, precision Cnc Processing, Minimal Tolerance  
 Groove Prevents Mud Accumulation And Extends The Service Life Groove

**Type:** 49Tooth、50Tooth、51Tooth、52Tooth

**Weight:** 388.5g

**Size:** Inner diameter 125mm,Center Hole Distance 153mm



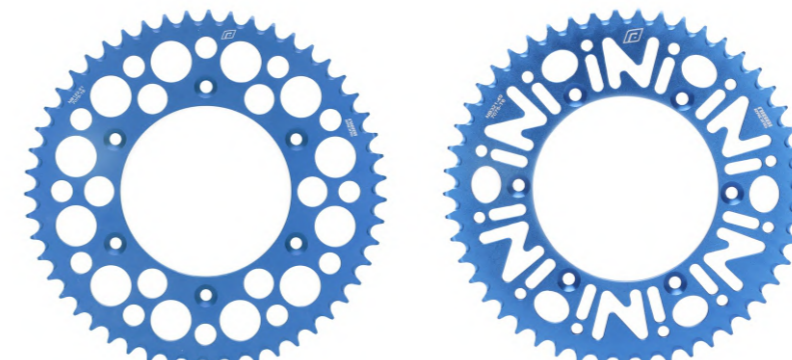
### STEALTH REAR SPROCKET FOR YAMAHA

**Features:** Steel outer ring + aluminum inner ring combination Precision CNC machining  
 Nickel-plated steel outer ring Special riveting process

**Type:** 49Tooth、50Tooth、51Tooth、52Tooth

**Weight:** 388.5g

**Size:** Inner diameter 130mm,Center Hole Distance 150mm



### MADE OF HIGH-STRENGTH ALUMINUM FOR YAMAHA

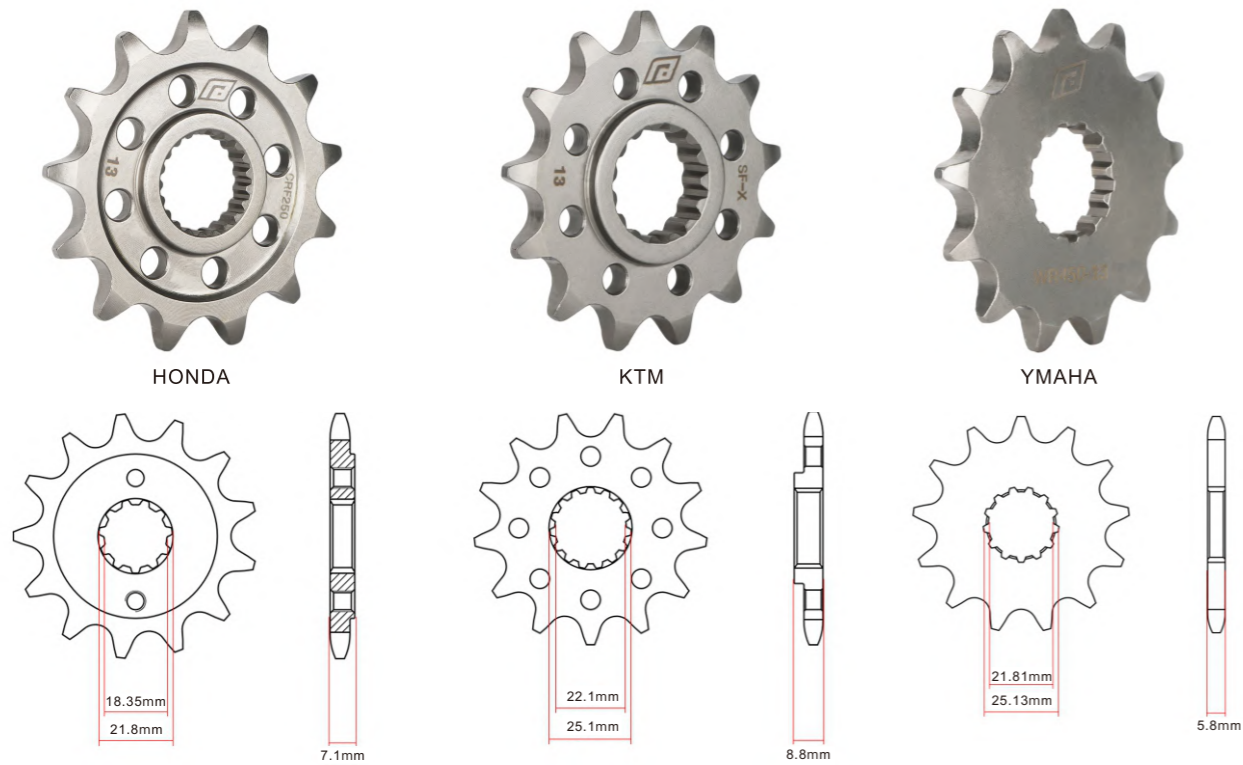
**Features:** Lightweight 7075-t6 Aluminum Alloy Material, precision Cnc Processing, Minimal Tolerance  
 Groove Prevents Mud Accumulation And Extends The Service Life Groove

**Type:** 49Tooth、50Tooth、51Tooth、52Tooth

**Weight:** 388.5g

**Size:** Inner diameter 130mm,Center Hole Distance 150mm





## FRONT CHAINWHEELS

**Features:** Using advanced computer engineering alongside CNC machining, consistently achieves perfect concentricity, fitment, load dispersion and uncompromising strength whilst ensuring maximum power delivery from each and every motocross front sprocket we produce.

**Type:** 13Tooth

**Weight:** 388.5g

**Applicable Brand:** YMAHA, HONDA, KTM







### NIBBI 520 120-L CHAIN

**Features:** 1.4kg Super Lightweight Design  
The Chain Plate Is Toughened  
And The Chain Is Not Easy To Be Broken

**Type:** 520PRO, 520MXR

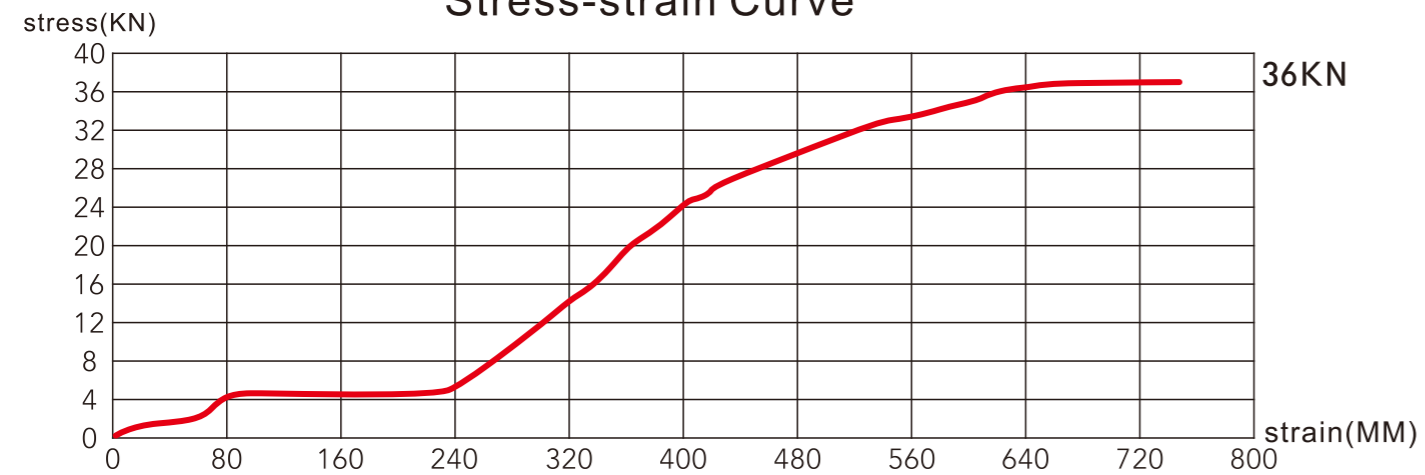
**Applicable Brand:** YAMAHA, HONDA, KTM

**Weight:** 1400g



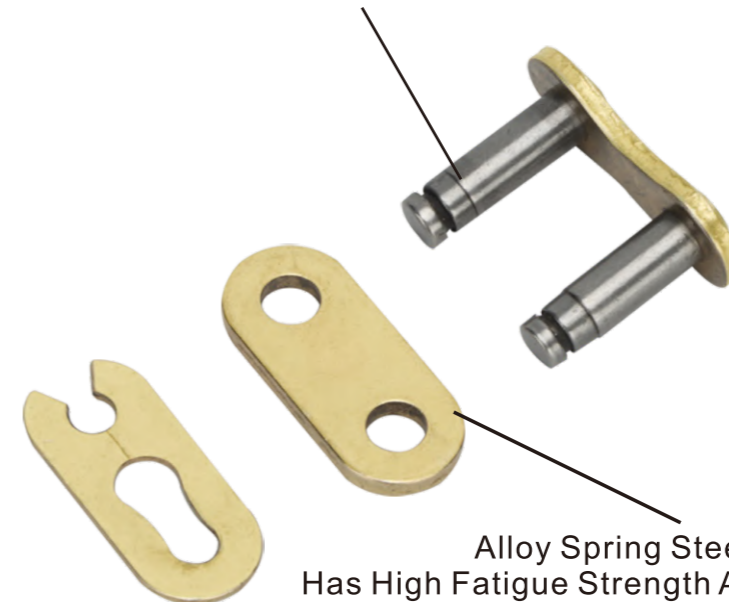
### HIGH-STRENGTH STRUCTURE

Stress-strain Curve



The Tensile Strength Is 3.6 Tons, Which Is Safer To Use

Hard Alloyed Pin, Hardness Up To Hv1600



Alloy Spring Steel Plate Chain  
Has High Fatigue Strength And Sufficient Toughness



**BOOST YOUR PERFORMANCE**



**CONTACTS:**

5901 Christie Ave Suite 406,  
Emeryville, CA 94608

Email: [help@nibbiracing.com](mailto:help@nibbiracing.com)

Phone: +1 (510) 230-7223