

ROOM AIR CONDITIONER OPERATION MANUAL

P/N 9386269025

ENGLISH

Refer to the rating label with the serial number.
MADE IN THAILAND

Before using this product, read these instructions thoroughly and keep this manual for future reference.

Safety Precautions

To prevent personal injury, injury to others, or property damage, read this section carefully before you use this product, and be sure to comply following safety precautions.

Incorrect operation due to failure to follow the instructions may cause harm or damage, the seriousness of which is classified as follows:



WARNING

This mark warns of death or serious injury.



CAUTION

This mark warns of injury or damage to property.



WARNING

- Do not attempt to install this air conditioner by yourself.
- This unit contains no user-serviceable parts. Always consult authorized service personnel for repairs.
- When moving, consult authorized service personnel for disconnection and installation of the unit.
- Do not become over-exposed to cold air by staying in the direct path of the air flow of the air conditioner for extended periods of time.
- Do not insert fingers or objects into the outlet port or intake grille.
- Do not start and stop air conditioner operation by turning off the electrical breaker or disconnecting the power supply plug and so on.
- Take care not to damage the power supply cord.
- Do not modify the power cables, use extension cables, or use any branches in the wiring. Improper connections, insufficient insulation, or exceeding the allowable current can cause electric shock or fire.
- Do not bundle the power supply cable.

- In the event of a malfunction (burning smell, etc.), immediately stop operation, turn off the electrical breaker or disconnect the power supply plug, and consult authorized service personnel.
- Always turn off the electrical breaker or disconnect the power supply plug whenever cleaning the air conditioner or the air filter.
- This appliance is not intended for use by persons (including children) with reduced physical, sensory or mental capabilities, or lack of experience and knowledge, unless they have been given supervision or instruction concerning use of the appliance by a person responsible for their safety. Children should be supervised to ensure that they do not play with the appliance.
- If you see lightning or hear thunder, there might be a lightning strike. To prevent electric shock hazard, stop the operation of the air conditioner, and do not touch the unit or the power plug during thunderstorm.



CAUTION

- Provide occasional ventilation during use.
- Do not direct airflow at fireplaces or heating apparatus.
- Do not climb on, or place objects on the air conditioner.
- Do not hang objects from the unit.
- Do not set flower vases or water containers on top of air conditioners.
- Do not expose the air conditioner directly to water.
- Do not operate the air conditioner with wet hands.
- Do not pull power supply cord.
- Turn off power source when not using the unit for extended periods.
- Check the condition of the installation stand for damage.
- Do not place animals or plants in the direct path of the airflow.
- Do not drink the water drained from the air conditioner.
- Do not touch the aluminum fins of heat exchanger built-in the indoor or outdoor unit to avoid personal injury when you install or maintain the unit.

- Do not use in applications involving the storage of foods, plants or animals, precision equipment, or art works.
- Do not apply any heavy pressure to radiator fins.
- Operate only with air filter installed.
- Do not block or cover the intake grille and outlet port.
- Ensure that any electronic equipment is at least 1 m away from the unit.
- Avoid installing the air conditioner near a fireplace or other heating apparatus.
- When installing the unit, take precautions to prevent access by infants.
- Do not use inflammable gases near the air conditioner.
- Always turn off the electrical breaker or disconnect the power supply plug whenever cleaning the air conditioner or the air filter.

Power Supply



WARNING

- In order to enable efficient and trouble-free operation of your air conditioner, connect the power plug of your air conditioner through an exclusive circuit, having a time delay fuse, to the correct power supply described on the rating plate.
- The circuit breaker with all pole disconnection must be incorporated in permanent wiring.
- If the power supply cord is damaged, it must be replaced by the manufacturer, its service agent, or similarly qualified persons in order to avoid a hazard.
- This appliance shall be installed in accordance with national wiring regulations.

Connect BROWN line of the power supply cable to the "Live" terminal of the power outlet, and the earth (ground) line (GREEN and YELLOW) to the earth (ground) terminal.

Remaining line should be connected to the neutral terminal of the power outlet.

Care and Maintenance



CAUTION

- During maintenance, be sure to place the removed components in a safe place to avoid damage to them.
- Do not touch the aluminum fins of heat exchanger built-in the indoor or outdoor unit to avoid personal injury when you install or maintain the unit. Also, pay attention not to be scratched or pinched your hand by inner parts.
- Never use water hotter than 40 °C. The unit body may warp or change color.
- Do not use inflammable sprays such as lacquer or hair spray near the air conditioner. The unit can be damaged by gasoline, benzene, thinners, insecticides and other chemical agents.
- Before cleaning the unit, be sure to turn it off and all the power supply has been disconnected.

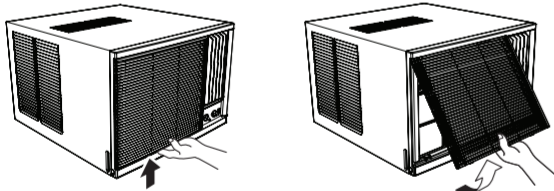
Cleaning the Air Filter

If dirt is allowed to collect in the air filter, the airflow will be reduced, leading to reduced performance, and increased operating noise. Be sure to clean the filters at the beginning of the operating season, and about every 2 weeks during periods of frequent operation.

The air filter is attached to the front panel, and you need to remove the intake grille first, when you get access to the air filter.

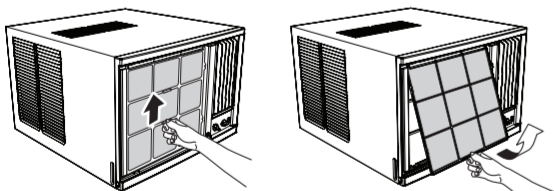
Intake grille removal

Push the bottom of the intake grille up with your hand, and pull it toward you.



Air filter removal

With lifting up small tabs on the air filter, pull the filter toward you.

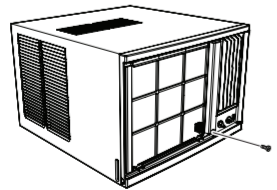


Cleaning the unit

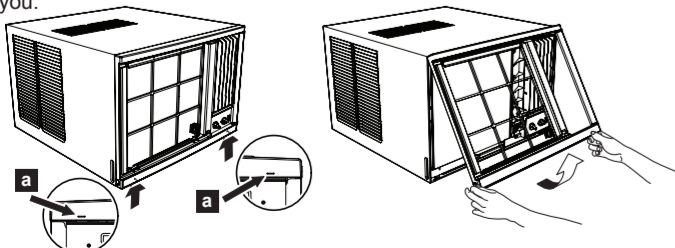
Clean the unit by wiping with a cloth moisten with cool or warm water, then wipe with another soft, clean, and dry cloth.

Front panel removal

- Remove one screw securing the front panel.



- Push the small projections **1** on the bottom side of the front panel upward to unlatch the lower side. Then with holding up the front panel with your hands, remove it toward you.



When not using the unit for extended periods (1 month or more)

Operate the unit on fan mode for about one-half day on a day with clear weather, to assure that the internal parts are dry. When not using the unit for extended periods, disconnect the power plug for safety.

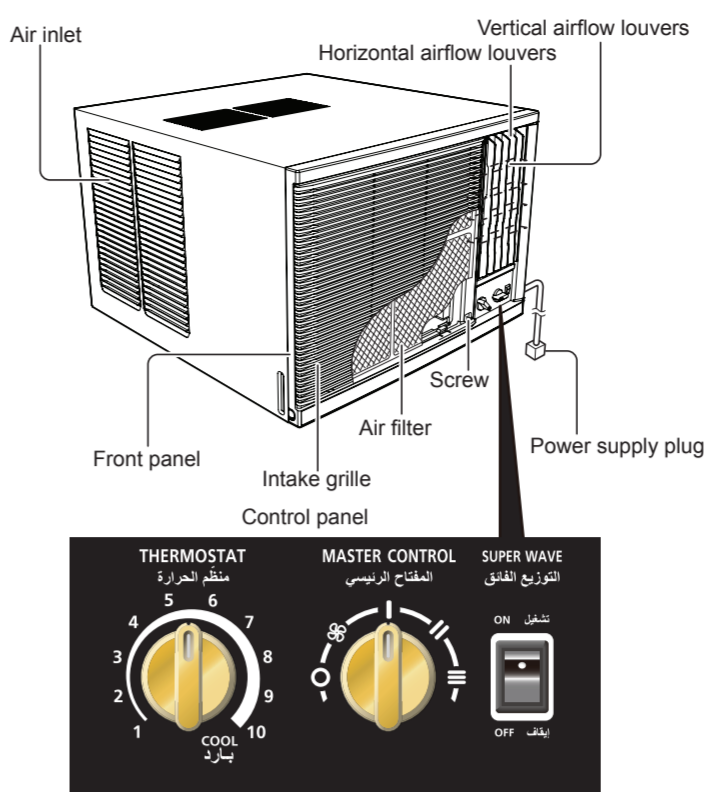
Check the power cord

- Remove the built-up dirt and dust on the power plug and the electrical outlet periodically.
- Check the power cord occasionally to confirm that it is not damaged by cuts or abrasions. If you discover damage to the cord, consult authorized service personnel.

Inspections and repairs:

Depending on the conditions of use, the internal parts of an air conditioner will become dirty after about two or three season of use, and performance may be affected. For this reason, regular professional maintenance is recommended. Consult authorized service personnel.

Unit Overview



Controller	Position	Description
THERMOSTAT	1-10	As the knob is turned clockwise the higher numbers on the dial indicate lower temperature.
MASTER CONTROL	○ (OFF)	The air conditioner is switched off.
	⚙️ (FAN)	Fan only operates at MED speed, without cooling room air is circulated and cleaned.
	I (SUPER QUIET)	Fan (Low speed) and compressor operate at quiet cooling.
	II (NORMAL)	Fan (Medium speed) and compressor operate at intermediate cooling.
SUPER WAVE	III (HIGH POWER)	Fan (High speed) and compressor operate at rapid cooling.
	ON	Horizontal airflow louvers continuously change the direction of airflow. When the master control knob is set to "OFF", the SUPER WAVE does not operate.
	OFF	Horizontal airflow louvers stop enabling airflow to be directed in any desired direction.

Operation

Cooling

To obtain maximum cooling effect in the hot summer select position HIGH POWER on the master control. Maximum moisture removal, air circulation and dust removal are effected at the same time.

Selection of SUPER QUIET reduces operating noise.

Air Circulation

An adequate flow of air is very important for comfort. When the master control knob is set at "FAN" position, the fan only is actuated so that the air is filtered and circulated without cooling effect.

Air circulation only without cooling effect may also be achieved with the thermostat knob turned counterclockwise to "1" position and with the master control at either "HIGH POWER" or "SUPER QUIET" position.

Thermostat Control

The thermostat is set by means of the thermostat control. When the room temperature is higher than the thermostat setting, the compressor is automatically switched on to provide a cooling effect. When the room temperature is lower than the thermostat setting, the compressor is automatically switched off to stop cooling.

It can be seen therefore, that the thermostat serves to keep the room temperature constant by causing the compressor to start and stop automatically.

- When you wish to lower the temperature, turn the thermostat control clockwise in the direction of the higher numbers on the dial.
- When you wish to increase the temperature, turn the thermostat control counterclockwise in the direction of the lower numbers.
- When the thermostat is set at positions "5", "6", or "7", comfortable room temperatures can usually be obtained. Note that it is unhealthy for the room temperature to be lower than approximately 22 °C.
- When the thermostat control is positioned at "10", the room-side fin coil may freeze up due to excessively low room temperature (for example, below 18°C) caused by low outdoor temperature at night. Once the fin coil becomes frozen, the airflow from the air conditioner is restricted by the frost, and the room temperature may rise due to the resultant weak cooling performance of the air conditioner.
- The thermostat positions "8", "9", and "10" can be used when the room temperature does not become sufficiently low. This condition may occur when the thermostat switches off automatically because cooled air, when it passes through the vertical airflow louvers positioned downwards and the horizontal airflow louvers positioned to the left, makes a short circuit and the recirculated air touches the sensor of the thermostat.

Note: The thermostat controls the compressor only and accordingly the fan is constantly circulating air even during the period when the compressor is off.

Important: When restarting the cooling operation after it has been turned off by either master control of thermostat, be sure to allow at least 3 minutes. If cooling operation is restarted immediately after it is turned off, an over current will flow through the compressor motor and the safety device will be actuated. If the safety device is actuated it will not be possible to restart the compressor motor for about 20 minutes.

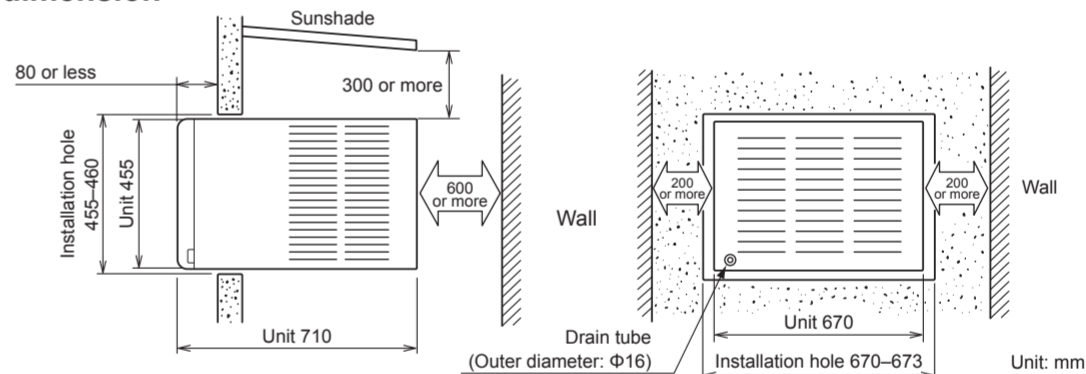
Air Direction Control

When the SUPER WAVE switch is turned to "ON" position, the horizontal airflow louvers is automatically actuated and sweeps the jet of air alternately, left and right and thus more effective cooling will be obtained.

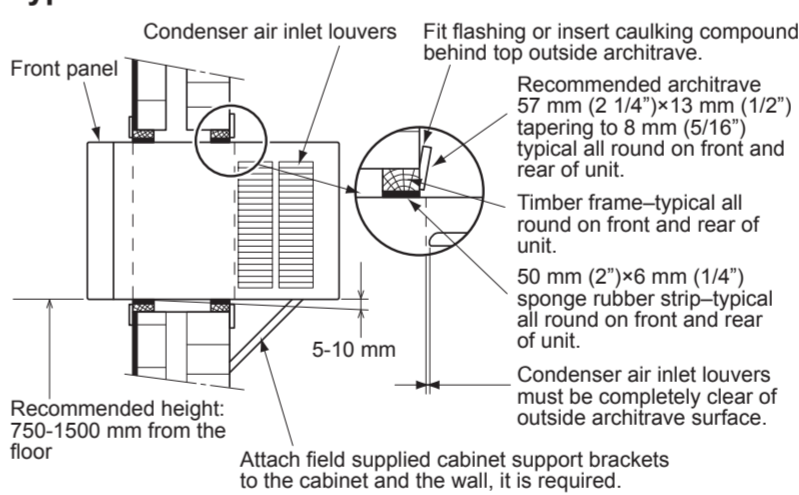
The louvers may be stopped at any position when SUPER WAVE switch is turned off.

Installation

Installation dimension



Typical installation



In the event of a malfunction (burning smell, etc.), immediately stop operation, disconnect the power plug, and consult authorized service personnel.

In the place where bears sufficient to the weight of the air conditioner concerning installation, noise and vibration choose such place without increasing.

- For installation, avoid any places in direct sunlight. Combined installation with a sunshade is recommended; installing the unit under direct sunlight may cause low cooling performance or increasing of the electricity consumption.
- Consult the installation in a special place to a selling agent. Because sea breeze sometimes becomes to a cause of malfunction by corrosion etc., in the case that the place become use with machine oil, the place of many place etc., that occur, sulfuration gas such as a hot spring area that hits in a seashore area it buys and give consultation to that selling agent.
- It is place where do not give neighbours trouble about removal water or a wind or noise.
- Where practicable, locate the air conditioner with the lower edge of the cabinet approximately 0.75 m (29.5") to 1.5 m (59") from the floor. This usually gives the optimum air circulation pattern within the room for cooling and heating.
- When installing the attached insulation (620 mm x 40 mm, t12), insert it from the inside of the room so that the insulation fills up the gap between the rails on the inner bottom of the cabinet and bottom side of the base.

Troubleshooting

Before requesting service, perform the following checks:

	Symptom	Problem
NORMAL FUNCTIONS	Noise is heard:	<ul style="list-style-type: none"> During operation and immediately after stopping the unit, the sound of water flowing in the air conditioner's piping may be heard. Also, noise may be particularly noticeable for about 2 to 3 minutes after starting operation (sound of coolant flowing). During operation, a slight squeaking sound may be heard. This is the result of minute expansion and contraction of the front cover due to temperature changes.
	Smells:	<ul style="list-style-type: none"> Some smell may be emitted from the unit. This smell is the result of room smells (furniture, tobacco, etc.) which have been taken into the air conditioner.
	Mist or steam are emitted:	<ul style="list-style-type: none"> During cooling operation, a thin mist may be seen emitted from the unit. This results from the sudden cooling of room air by the air emitted from the air conditioner, resulting in condensation and misting.
CHECK ONCE MORE	Does not operate at all:	<ul style="list-style-type: none"> Is the power plug disconnected from its outlet? Has there been a power failure? Has a fuse blown out, or a circuit breaker been tripped?
	Poor cooling performance:	<ul style="list-style-type: none"> Is the air filter dirty? Are the air conditioner's intake grille or outlet port blocked? Did you adjust the room temperature settings (thermostat) correctly? Is there a window or door open? In the case of cooling operation, is a window allowing bright sunlight to enter? (Close the curtains.) In the case of cooling operation, are there heating apparatus or computers inside the room, or are there too many people in the room?

If the problem persists after performing these checks, immediately stop operation, disconnect the power plug, and consult authorized service personnel.