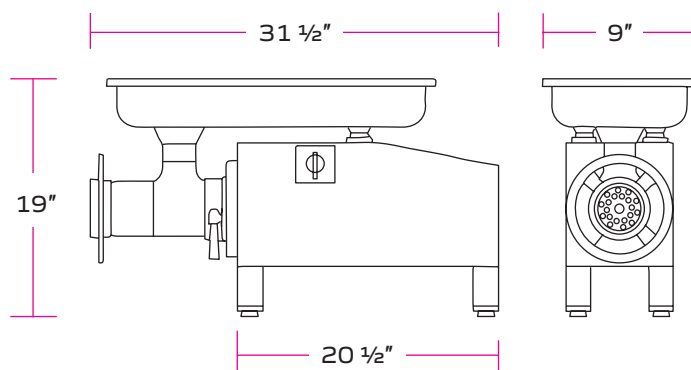


Stainless Steel Meat Grinder

CT 100-32 220-1



Model	CT100-32 220-1
Power	2 HP Motor 1 Phase 208-240 Volts 9.4 Amps 1.5 KW 60 Hz
Design	Compact, Countertop
Construction	Stainless Steel No. 32 Head Stainless Steel Feed Pan Polished Stainless Steel Case, Ring and Auger 4" Stainless Steel Legs & Solid Stomper
Feed Pan Capacity	Approximately 16 kg
Grinding Capacity	Up to 17 kg per Minute with 4.5 mm Plate First Grind
Drive System	Gearbox Driven & Oil Bath Transmission
Safety	Safety Guard Safety Electrical Switch (machine will not operate when feed pan with welded bowl guard is removed or when power is restored)
Standard Features	1 Hard Steel Plate 1 Hard Steel Knife None-removable Safety Guard Stainless Steel Feed Pan, Operating and Safety Manuals Equipped with 6" Cord and Plug
Weight	Uncrated: 66 kg / Crated: 86 Kg
Dimensions	Width 9", Depth 31 1/2", Height 19"



6-15P