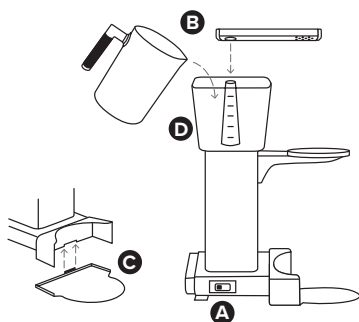


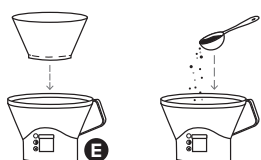
KBT

1.25L / 40 oz. / 10 cups



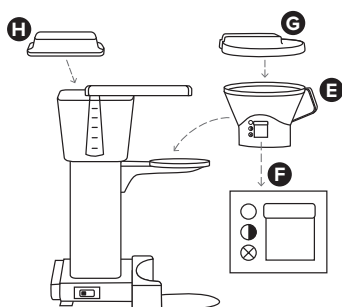
Step 1.

Set **Power Switch** to OFF (A)
Attach **9-Hole Outlet Arm** (B)
Affix **Footplate (optional)** (C)
Fill **Cool Water Reservoir** (D) with fresh, cool water



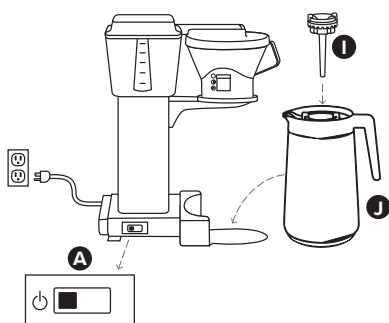
Step 2.

Place a **No. 4 filter** in **Brew Basket** (E)
Rinse filter with water
Add coffee (refer to the formula under "Water-to-Coffee Ratio")



Step 3.

Set **Adjustable Drip-Stop** (F)
○ to brew 8 to 10 cups
● to brew 4 to 6 cups
Place **Brew Basket** in position (E)
Place **Brew Basket Lid** (G)
Place **Cool Water Reservoir Lid** (H)



Step 4.

Screw **Brew-Thru Lid** (I) into **Thermal Carafe** (J)
Slide **Thermal Carafe** (J) into position
Plug into grounded outlet and turn **Power Switch** to ON (A)

Pour yourself a great cup of coffee in about 4 to 6 minutes!



ATTENTION

- Outlet Arm is **HOT** while brewing.
- Power switch will **NOT** illuminate if water is not present in the water reservoir.
- Always ensure Adjustable Drip-Stop is set to ○ or ● before starting to brew.
- Light on power switch will remain illuminated after brewing is complete;

however, the boiling element turns off as soon as the water reservoir is empty.

- Auto-Off Power Switch will switch OFF after 12 minutes.
- If intending to hold coffee in carafe for longer than an hour, switch to the Travel Lid for best results.