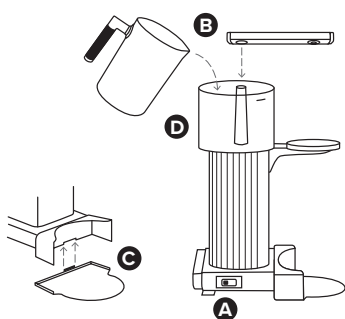


# CDT Grand

1.8L / 60 oz. / 15 cups



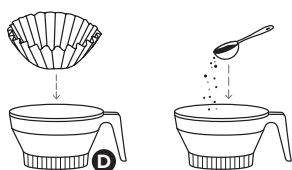
## Step 1.

Set **Power Switch** to OFF (A)

Attach **9-Hole Outlet Arm** (B)

Affix **Footplate (optional)** (C)

Fill **Cool Water Reservoir** (D) with fresh, cool water

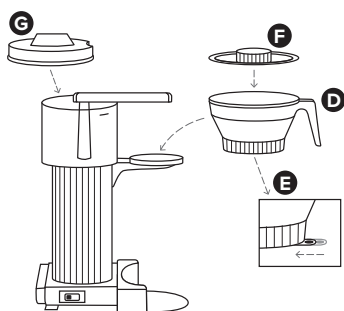


## Step 2.

Place a **110mm filter** in **Brew Basket** (D)

Rinse filter with water

Add coffee (refer to the formula under "Water-to-Coffee Ratio")



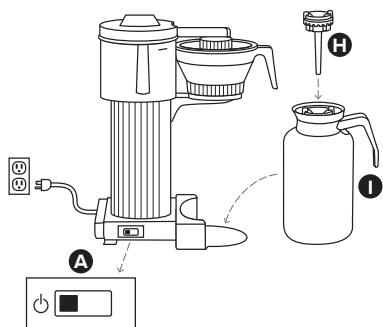
## Step 3.

Carefully push in **Drip-Stop Tab** (E) on **Brew Basket** (D) to ensure drip-stop is open

Place **Brew Basket** in position (D)

Place **Brew Basket Lid** (F)

Place **Cool Water Reservoir Lid** (G)



## Step 4.

Screw **Brew-Thru Lid** (H) into **Thermal Carafe** (I)

Slide **Thermal Carafe** (I) into position

Plug into grounded outlet and turn **Power Switch** to ON (A)

Pour yourself a great cup of coffee in about 8 minutes!



## ATTENTION

- Outlet Arm is **HOT** while brewing.
- Power switch will **NOT** illuminate if water is not present in the water reservoir.
- Light on power switch will remain illuminated after brewing is complete; however, the boiling element turns off as soon as the water reservoir is empty.

- Auto-Off Power Switch will switch OFF after 12 minutes.
- For the best coffee quality, always brew full carafes; partial pots will result in under-extracted coffee.
- Brew basket features a manual drip-stop mechanism; press in to open the drip-stop, and pull out to close it.
- If intending to hold coffee in carafe for longer than an hour, switch to the Travel Lid for best results.