

# WTA



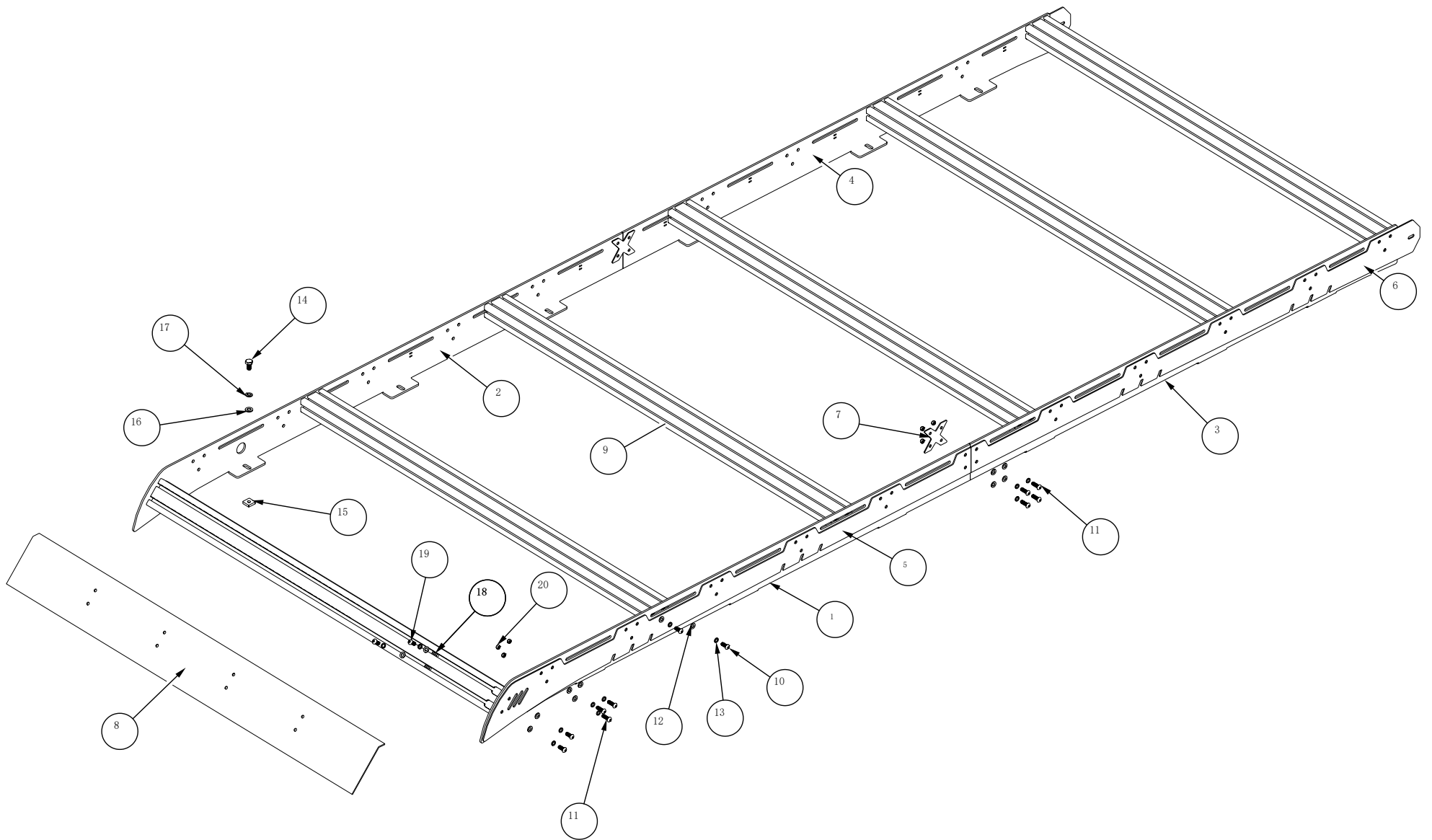
## Installation Guide

# Sprinter 144 High Roof Strata Roof Rack

## SPRR144-J

**Ensuring the proper assembly and secure attachment of all WTA products to your vehicle is of utmost importance. Failure to adhere to these guidelines may lead to automobile accidents, presenting a substantial risk of bodily harm or even fatality to yourself and others. As the owner, it is incumbent upon you to meticulously assemble and secure WTA products, conducting a thorough examination of the mounting points and attachments before use, and routinely checking for any indications of wear or damage.**

**To ensure optimal safety, we strongly recommend enlisting the services of a qualified installer for the installation of any aftermarket accessories on your vehicle. If you lack mechanical expertise or are unfamiliar with the installation procedures, it is crucial to have the product installed by a certified professional or individuals with the requisite skills. Remember, the responsibility rests with you, and it must be approached with seriousness to safeguard the well-being of all individuals involved.**



描述	BOM	QTY
RIVER FRONT RAIL	1	1
PASSENGER FRONT RAIL	2	1
RIVER REAR RAIL	3	1
PASSENGER REAR RAIL	4	1
FRONT ARMOR PLATE	5	2
REAR ARMOR PLATE	6	2

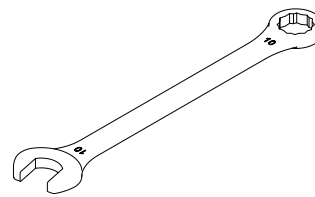
描述	BOM	数量
JOINT PLATE	7	2
FAIRING PLATE	8	1
CROSSBAR	9	6
M8-20 HEXAGON SOCKET BUTTON HEAD SCREW	10	1
M8-25 HESGON SOCKET BUTTON HEAD SCREW	11	24
M8*16 FLAT WASHER	12	82

描述	BOM	数量
M8 SPRRING LOCK WASHER	13	82
M10-22 HEXGON HEAD SCERW	14	12
SQUARE NUT	15	12
M10 FLAT WASHER	16	12
M10 SPRING LOCK WASHER	17	12
T SLIDE NUT	18	10
M8-12 HEXGON SOCKET BUTTON HEAD SCREW	19	10
LOCK NUT	20	20

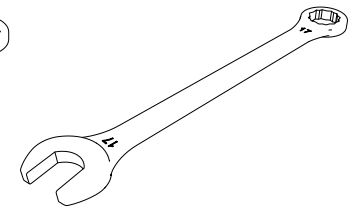
# THANK YOU!

- PLEASE INSPECT THE PRODUCT TO ENSURE THERE WAS NO DAMAGE INCURRED DURING SHIPPING.
- IF THERE IS DAMAGE TO REPORT, PLEASE CONTACT OUR CUSTOMER SERVICE DEPARTMENT AS SOON AS POSSIBLE.
- NEXT, USING THE “PACKAGE CONTENTS” PAGE, CHECK INVENTORY AND FAMILIARIZE YOURSELF WITH THE PARTS AND HARDWARE.
- GATHER ALL TOOLS REQUIRED FOR INSTALL.
  - 10 mm WRENCH
  - 17 mm WRENCH

## TOOLS

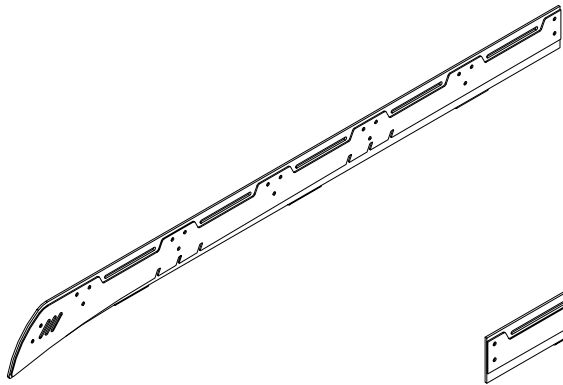


10 mm Wrench

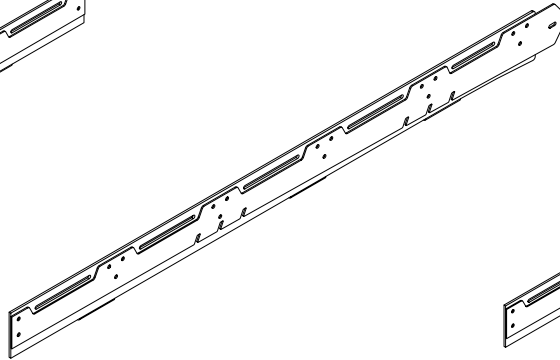


17 mm Wrench

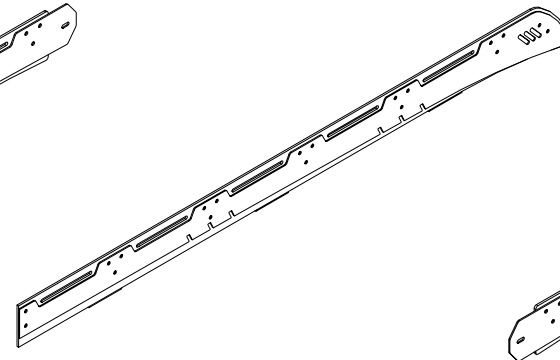
# PACKAGE CONTENTS



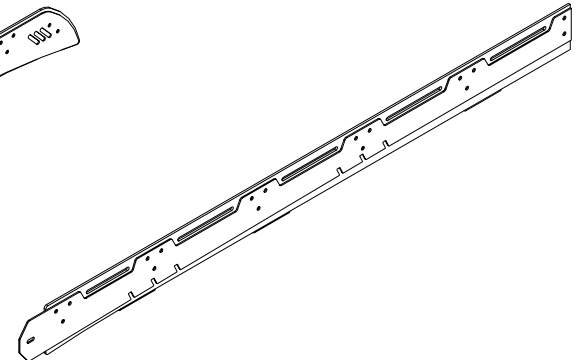
DRIVER FRONT RAIL  
QTY-1



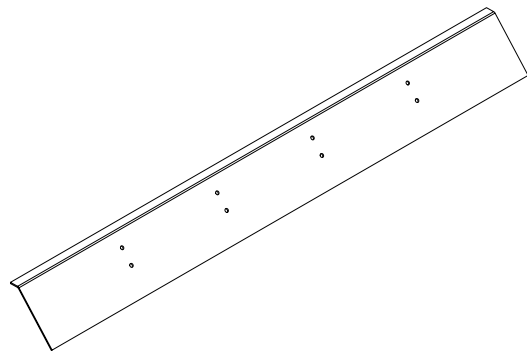
DRIVER REAR RAIL  
QTY-1



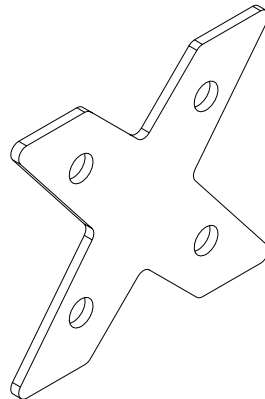
PASSENGER FRONT RAIL  
QTY-1



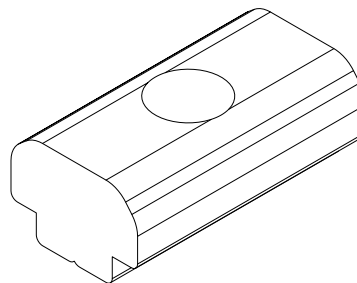
PASSENGER REAR RAIL  
QTY-1



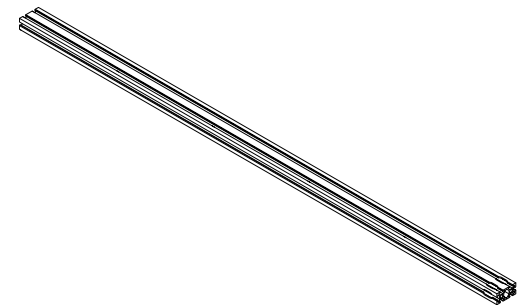
FAIRING  
QTY-1



JOINT PLATE  
QTY-2

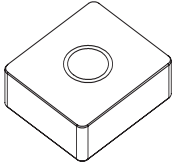
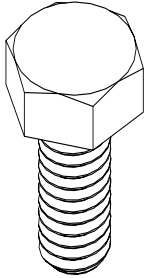
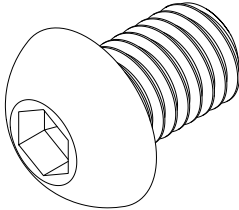
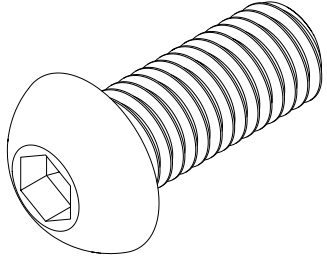
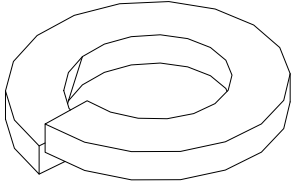
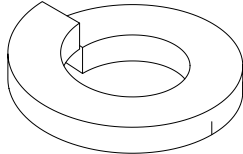
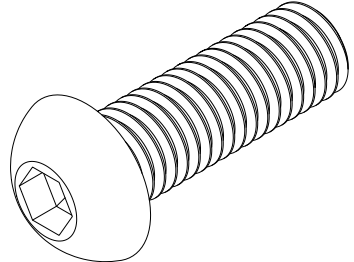
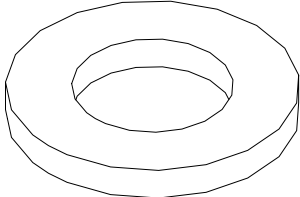
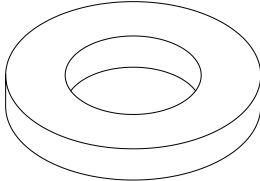


T BLOCK  
QTY-8



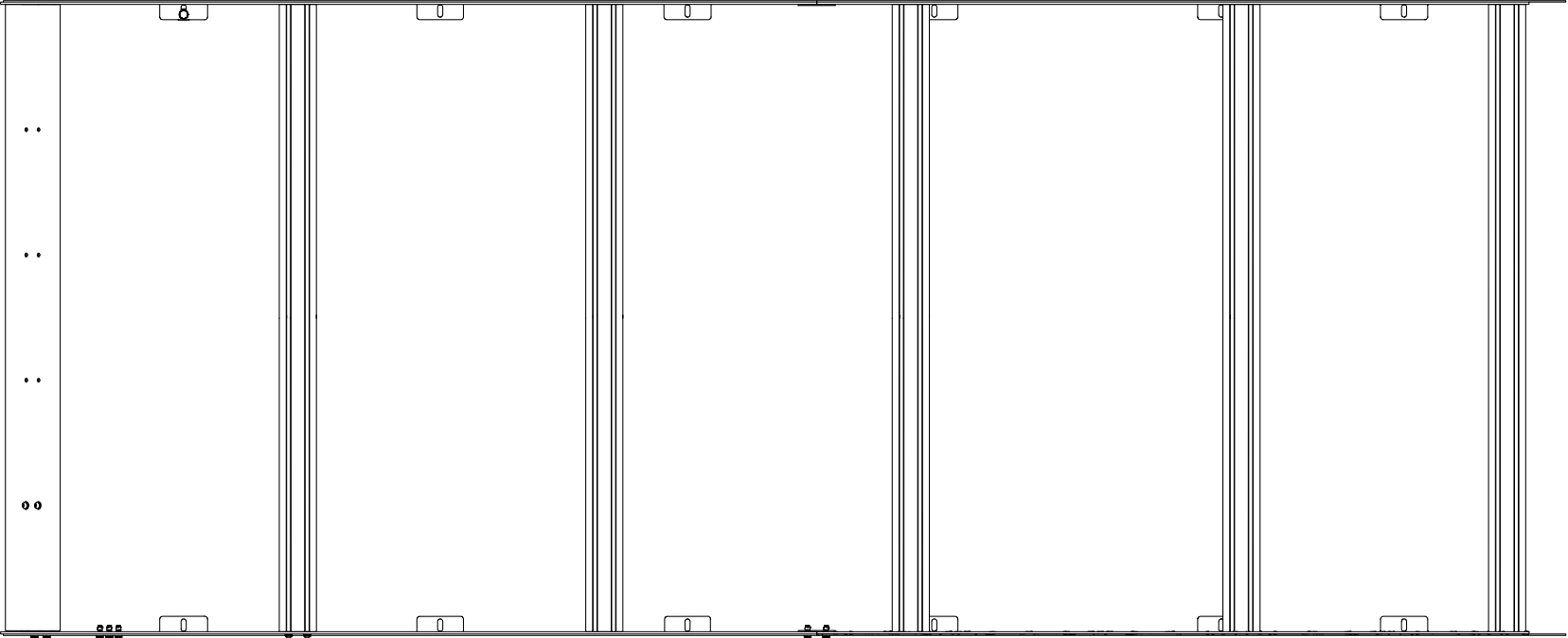
CROSSBAR  
QTY-6

# HARDWARE PACK

AADP144	 <p>RAIL NUT QTY-12</p>	 <p>M10-22 HEXAGON HEAD SCREW QTY-12</p>	 <p>M8-12 HEXAGON SOCKET BUTTON HEAD SCREW QTY-10</p>	 <p>M8-20 HEXAGON SOCKET BUTTON HEAD SCREW QTY-48</p>
		 <p>M10 SPRING LOCK WASHER QTY-12</p>	 <p>M8 SPRING LOCK WASHER QTY-82</p>	 <p>M8-25 HEXAGON SOCKET BUTTON HEAD SCREW QTY-24</p>
		 <p>M10 WASHER QTY-12</p>	 <p>M8 WASHER QTY-82</p>	

# LET'S GET STARTED!

- 1. SLIDE HALF OF THE RAIL NUTS INTO THE PASSENGER SIDE FACTORY ROOF RAIL, AND HALF OF THEM INTO THE DRIVER SIDE RAIL.
- 2. SPACE OUT THE RAIL NUTS CLOSE TO THE FINAL POSITION (GROUPS OF 2) SEE **FIGURE 1** FOR ROUGH REFERENCE DIMENSIONS.

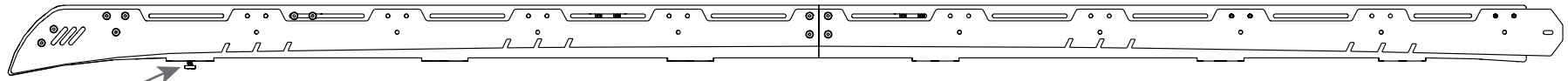


FRONT OF ROOF RAIL  
ON DRIVER SIDE OF VAN

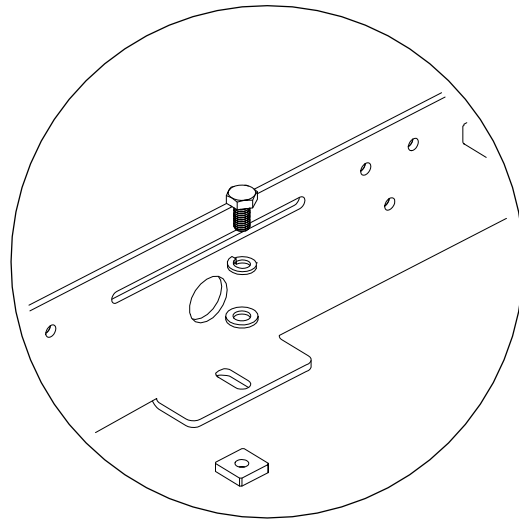
0 525 1195 1455 2125 2650

USE THESE DIMENSIONS FOR ROUGH REFERENCE ONLY (UNIT: mm)

START *LOOSELY* ATTACHING THE SIDE RAILS TO THE ROOF RAILS  
USING THE **M10-22 HEXAGON HEAD SCREW & M10 SPRING LOCK WASHERS**  
& **M10 WASHERS**, BUT DO NOT TIGHTEN ALL THE WAY DOWN.  
(SEE **FIGURE 3** FOR DETAIL)



**NOTE-** FRONT "FOOT" OF  
RACK SHOULD BE AS  
FAR FORWARD IN ROOF  
RAIL AS IT CAN GO.



**FIGURE 3**

4. PLACE YOUR CROSSBARS IN DESIRED LOCATION, LOOSELY BOLTING THE M8-20 HEXAGON HEAD SCREWS & M8 SPRING LOCK WASHERS & M8 WASHERS IN PLACE.

FIGURE 4

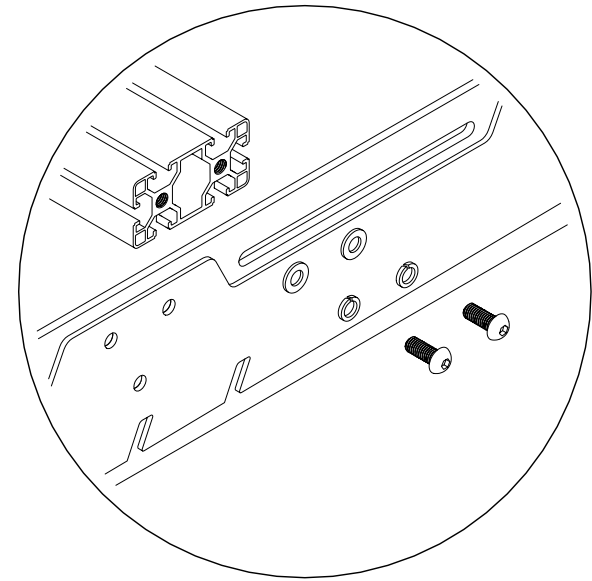
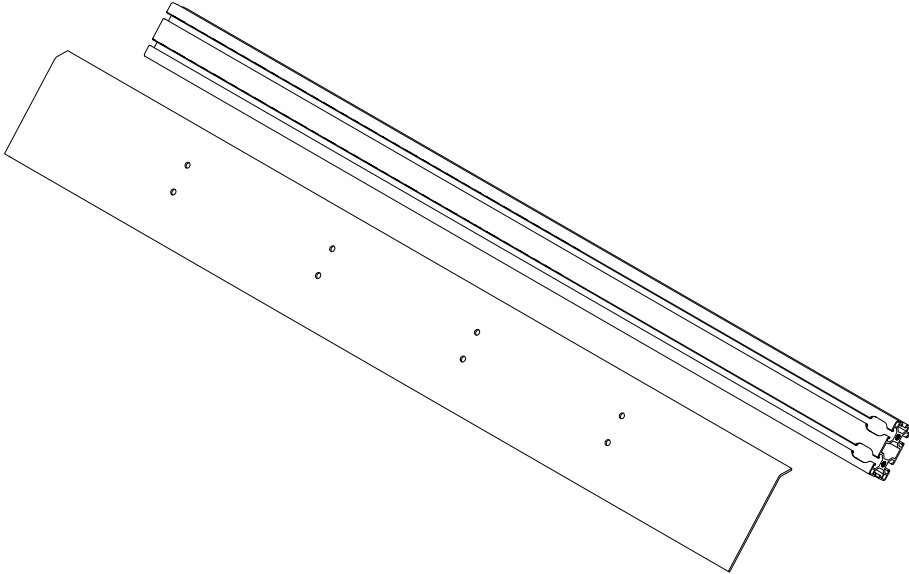
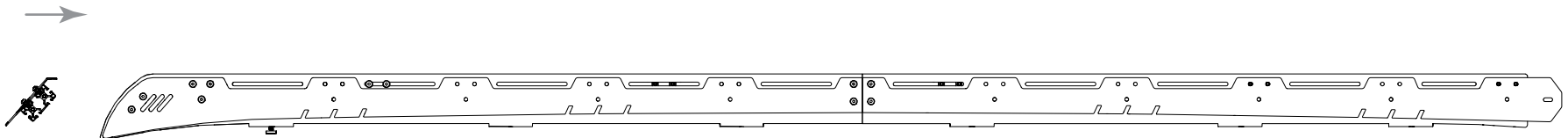


FIGURE 5



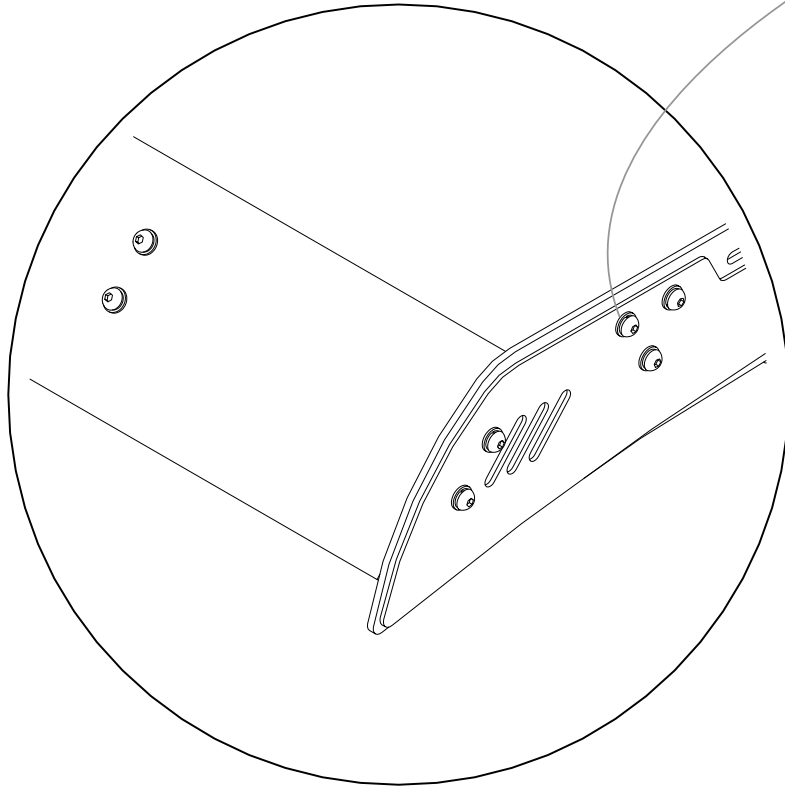
**NOTE-** IF INSTALLING OUR FRONT FAIRING; IT IS SUGGESTED TO BOLT THE FAIRING TO THE CROSSBAR FIRST (SEE FIGURE 5), THEN ATTACH THAT ASSEMBLY TO THE ROOF RACK (SEE FIGURE 6)

FIGURE 6

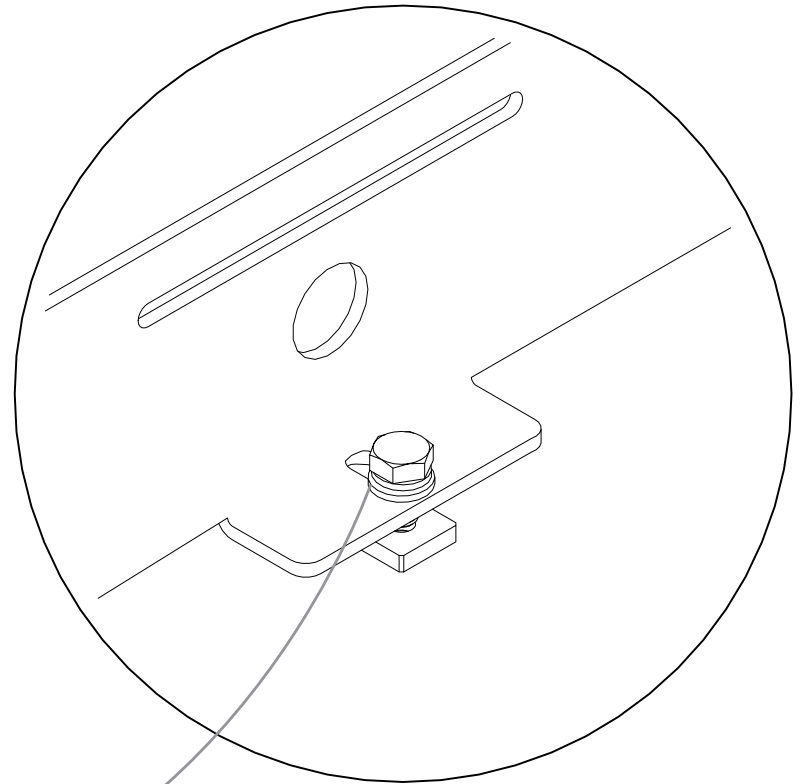




5. TIGHTEN ALL CROSSBAR BOLTS USING THE 10 mm WRENCH  
**NOTE- DO NOT OVERTIGHTEN!** IF YOU ARE CONCERNED ABOUT THE BOLTS BACKING OUT, YOU CAN PUT A DAB OF BLUE LOCTITE ON THE BOLTS BEFORE TIGHTENING DOWN COMPLETELY.



6. NOW TIGHTEN SIDE RAILS TO ROOF RAIL USING THE 17 mm WRENCH



# GET THERE WITH WHITE TOP ADVENTURES



thanks!



[info@whitetopadventures.com](mailto:info@whitetopadventures.com)