

ODE PLUS SMART OUTLET OSWDE for home appliances



GLASS TOUCH, BACKLIGHT AND MULTIFUNCTION

ODE PLUS Smart Outlet use tempered glass touch screen technology and have an adjustable backlight. Combined with the ability to choose a variety of colours makes iotty a state-of-the-art smart switch for your home or building. The ODE PLUS Smart Outlet are the answer to the need for easy installation, flexibility, integration with the world's leading Smart Home assistants like Google Home, Amazon Echo, SmartThings and Siri Shortcuts. The ODE PLUS Smart Outlet connects directly to the Wi-Fi without the need of a Hub, central control unit or special cabling.



KEY FEATURES AND BENEFITS

- Replaces flush-mounted outlet in E503 wall boxes
- Neutral wire required
- Easy to install
- Works manually with and without Wi-Fi.
- Settable backlight
- On-off switch, no need of unplugging the appliance.
- Built-in Wi-Fi, it connects to your home internet Wi-Fi and allows you to easily monitor your devices from your smartphone.
- Set features based on location, sunrise, specific time, brightness or room temperature, activate away mode to keep burglars away, and monitor your energy consumption.
- Compatible with Amazon Alexa, Google Assistant, Siri Shortcuts and Samsung SmartThings
- Free apps and cloud services.



AVAILABLE COLORS



white

black

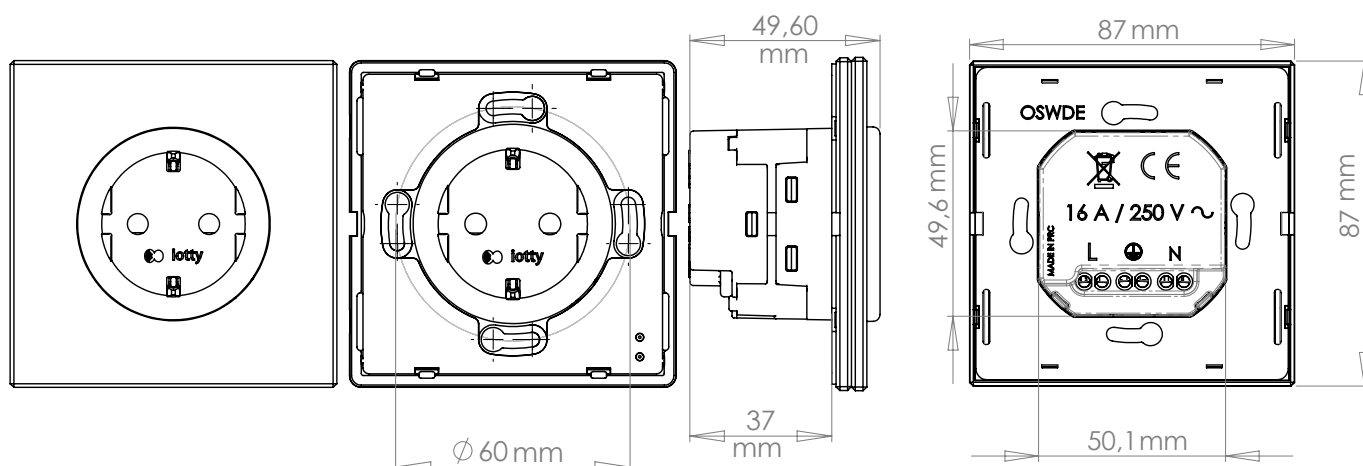
grey

tan




blue

* The yield of the color depends on many factors, including the choice of material on which it is applied. For this iotty cannot guarantee that the products have a colour which completely correspond to how they appear on the site, or printed on the list.

TECHNICAL DATA



GENERAL

Product name	ODE PLUS Smart Switch
Model	ODE PLUS
Outlet type	Type F
Compliance	  
Manufacturer	Designed by iotty srl in Italy, Assembled in China

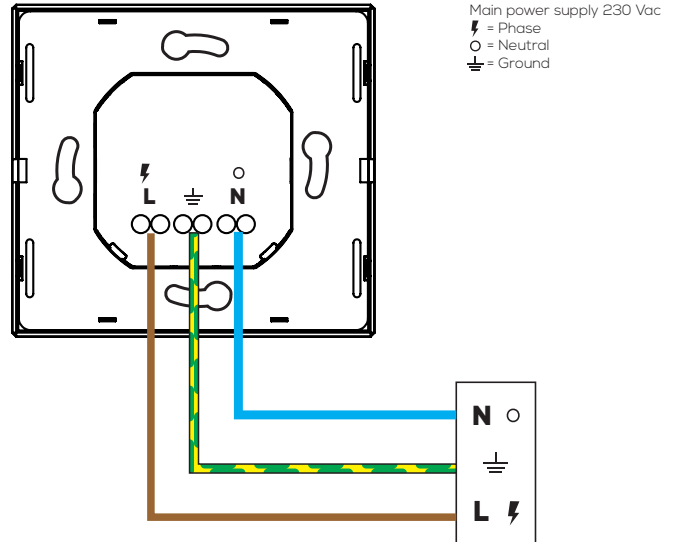
WIFI

Product compatibility	Wi-Fi 802.11 b/g/n/e/i, Wi-Fi direct (P2P)
Radio power	20dBm max
Wi-Fi version	WiFi 802.11
Wi-Fi	2.4GHz band

MECHANICAL

Input	230 Vac
Frequency	50 Hz
Current	Max 16A per output
Stand by power	<0.5W
Working temperature	from 0°C to +40°C
Neutral wire required	

ELECTRICAL CONNECTION SCHEME



SUPPORTS

Install the iotty flush-mounted socket and control wirelessly your household appliances and electronics up to 16A.

AUTOMATIONS



BACKLIGHT. Program iotty backlight to turn on, off, or change its brightness.



GEOFENCING. Set automations when you enter a specific geographical area.



SUN and TIME. Set automations based on sunrise or sunset or a specific time.



CHAIN REACTION. Use Wi-Fi to create a central control button for all your iotty devices.



WEATHER. Set automations based on weather conditions.



CHILD PROTECTION. Protect children from electric hazard switching the outlet completely off from the app.



AWAY MODE. Turn on iotty randomly so it'll seem you're at home.



SCENARIO. Send multiple commands with just one tap.



STATISTICS and REAL TIME ENERGY CONSUMPTION. To keep energy consumption under control.



ACTIVITY NOTIFICATIONS. You can receive a notification when an automation is executed.



WIRELESS CONTROL

Connect your device to the iotty socket and control it from anywhere.



MANUAL OR AUTOMATIC ACTIVATION

Turn it on or off to have it follow your life schedule.



SMART FEATURES

Change backlight, set automatic timers, weather control, away mode and much more.