

GRATZ™ PILATES

WUNDA CHAIR

ASSEMBLY INSTRUCTIONS

MADE IN THE U.S.A. | PILATES-GRATZ.COM



GRATZ INDUSTRIES, LLC

1108 SHACKAMAXON STREET
PHILADELPHIA, PENNSYLVANIA, 19125
215.739.7373 or 1.800.930.9900

Assembling Your Wunda Chair

These instructions will show you how to assemble and set up your Wunda Chair. Please make sure you have all the items out of the box listed below and you will need the items listed on the following page to complete assembly.

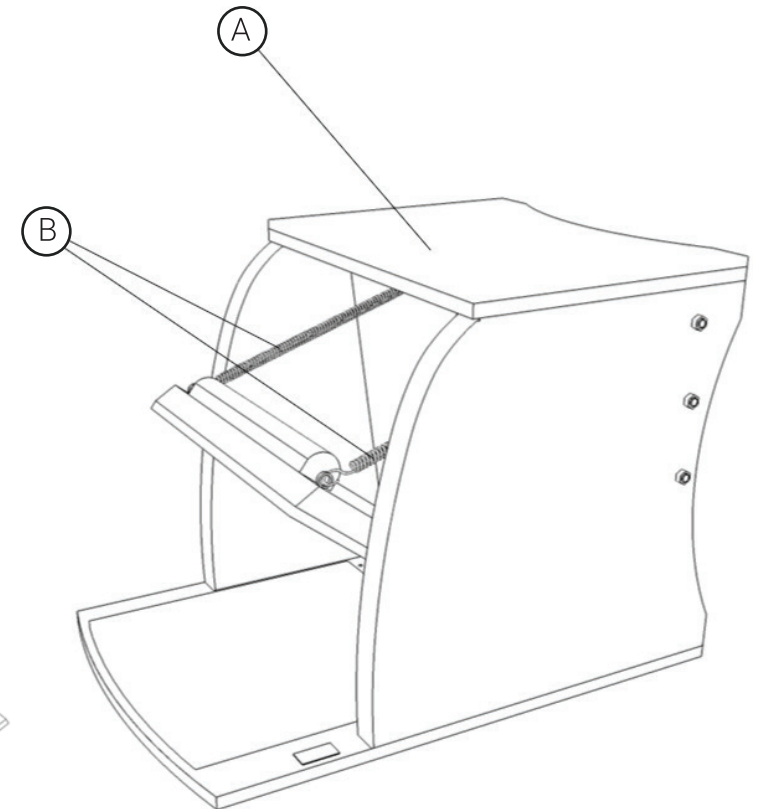
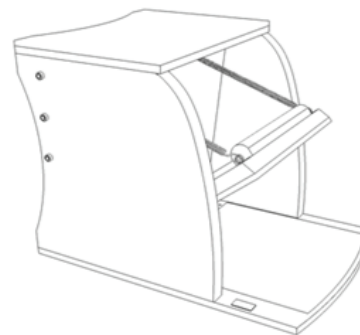
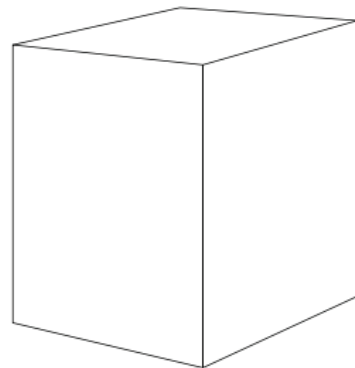
What Comes In The Box

- (A) 1 Wunda Chair
- (B) 2 Wunda Chair Springs

What You Will Need



Scissors



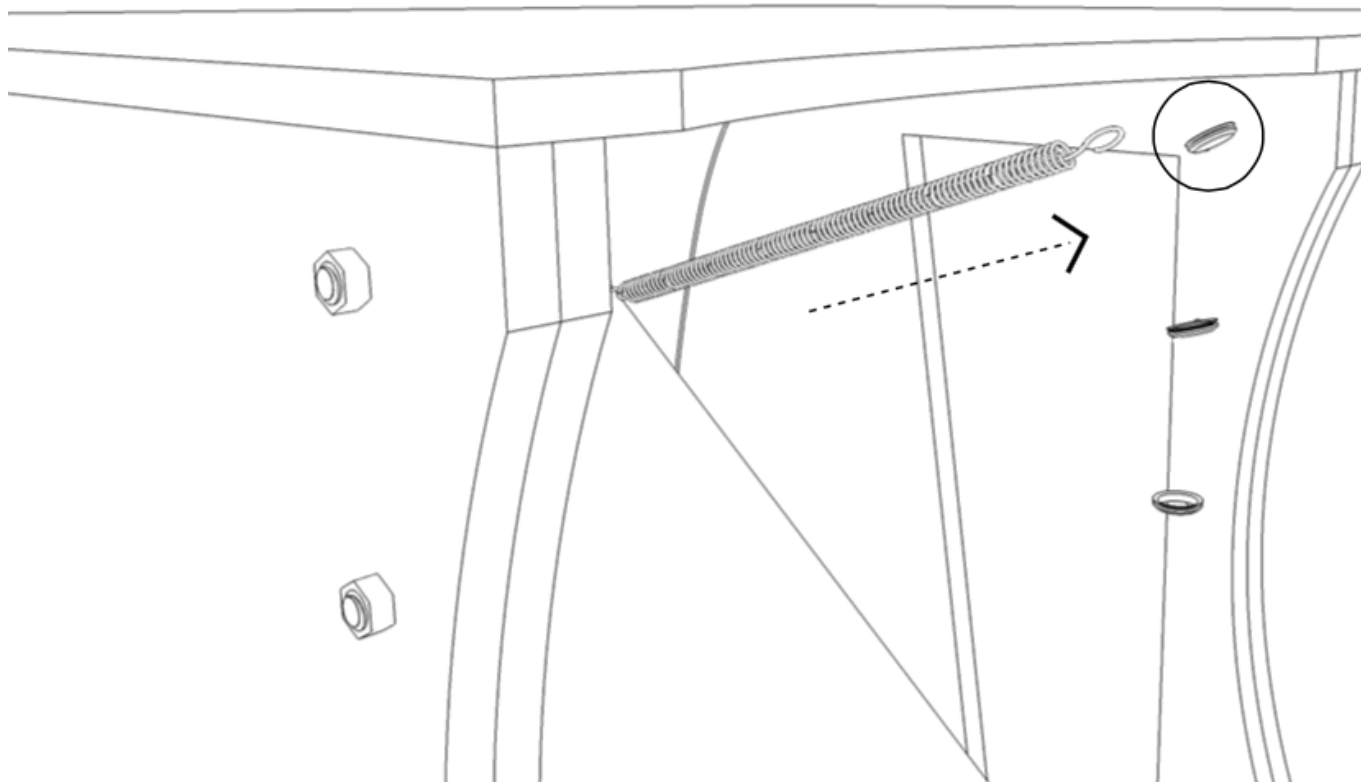
STEP 1 - Remove Contents From Box

Place the box its side. Use the scissors to carefully cut the ties and open the box. One the packed bundle with everything shown in **Figure A**.

STEP 2 - Place The Springs On The Eye-Hooks

Locate the springs on the wunda chair and unwrap the springs. Then place the springs on the preferred hook.

(Note: make sure the angle of eye-hooks are as shown below)



STEP 3 - Prep For Use

Prior to using make sure all the springs are in place to your liking and are properly attached.

Enjoy Your Gratz Wunda Chair!

