

GRATZ™ PILATES

REFORMER JUMP BOARD

BRACKET ATTACHMENT

ASSEMBLY INSTRUCTIONS

MADE IN THE U.S.A. | PILATES-GRATZ.COM



GRATZ INDUSTRIES, LLC

1108 SHACKAMAXON STREET
PHILADELPHIA, PENNSYLVANIA, 19125
215.739.7373 or 1.800.930.9900

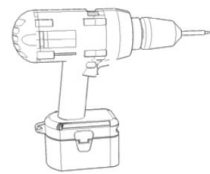
Installing Your Jump Board Bracket Attachment

These instructions will show you how to install a jump board bracket to your Gratz Reformer. Please make sure you have all the items out of the box listed below and you will need the additional items listed on the this page to complete the assembly.

What Comes In The Box

- (1) Steel Template
- (1) Drill Bit
- (6) Screws
- (6) Nuts

What You Will Need



Electric
Drill



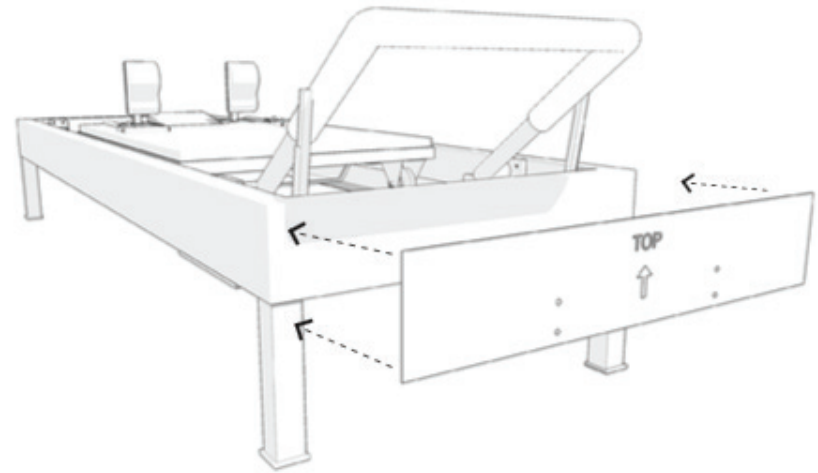
7/16th wrench
or
adjustable wrench



Pencil

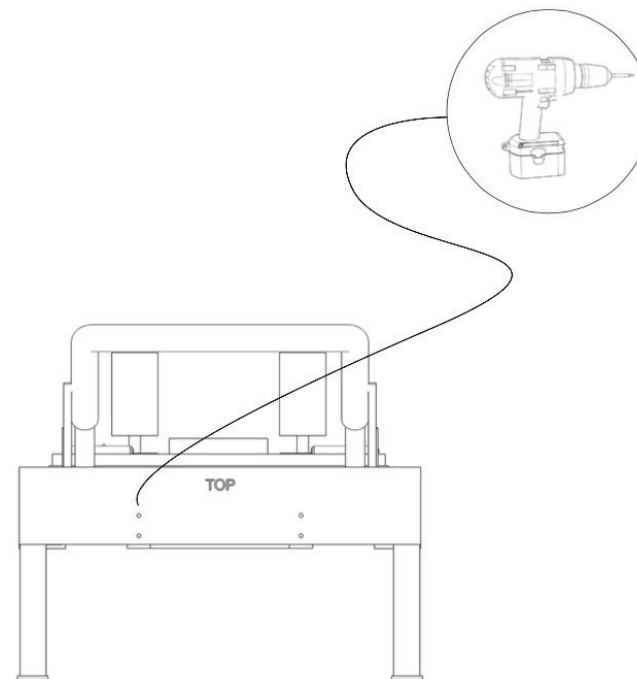
STEP 1 - Place Template

Align the provided steel template to the top of the reformer frame. See where the arrows are pointing up for proper orientation of the holes. Then mark the center-points of the holes to prepare for drill.



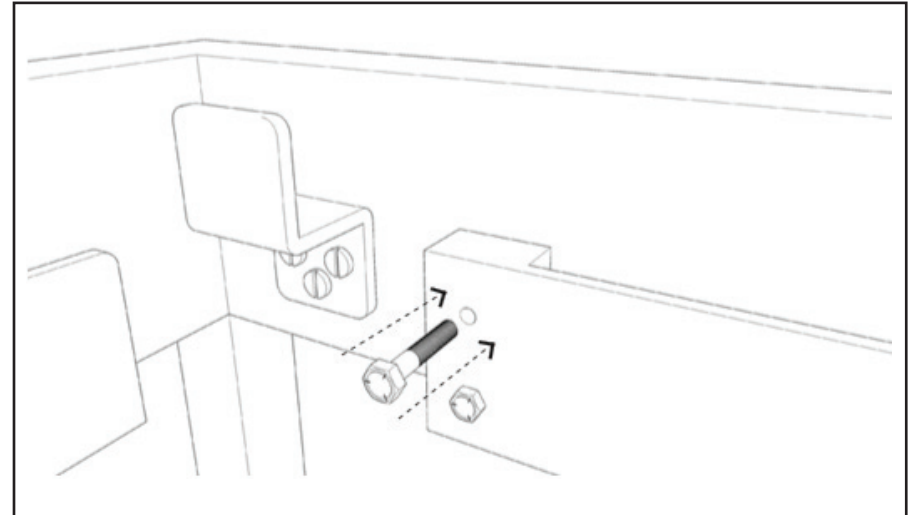
STEP 2 - Drill Holes

Use the place marks from the template to drill thru-holes. Then use your drill with the provided drill bit.



STEP 2 - Insert Screw

Place the provided screws thru the jump board bracket attachment. Then place the provided screws through the drilled holes as well.



STEP 4 - Secure Nuts

Tighten nuts on the screws.

