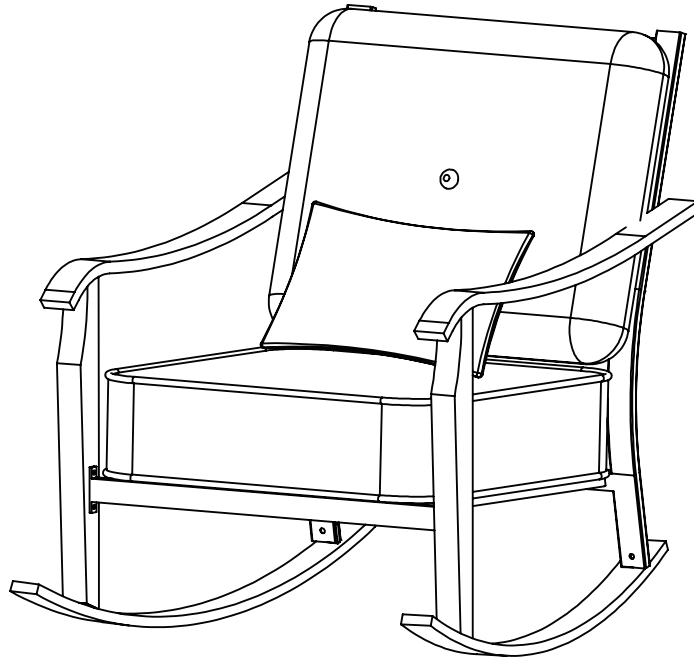


Extra Wide All Weather Rocking Chair - Red

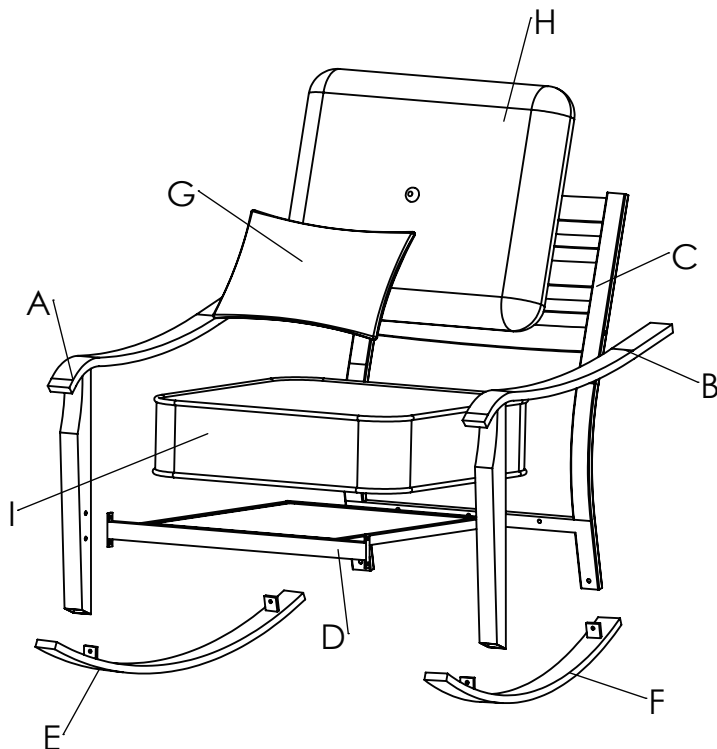
ASSEMBLY INSTRUCTIONS

SC-K-313SFRC-R



Parts

| | | |
|---|--------------|---|
| A | right arm | 1 |
| B | left arm | 1 |
| C | back | 1 |
| D | seat | 1 |
| E | right leg | 1 |
| F | left leg | 1 |
| G | throw Pillow | 1 |
| H | back cushion | 1 |
| I | seat cushion | 1 |



Hardware

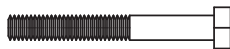
J1 x 7
Short bolt



J2 x 4
Medium bolt



J3 x 2
Long bolt



J4 x 13
Metal washer



J5 x 1
Allen wrench



CUSHION CARE INSTRUCTIONS

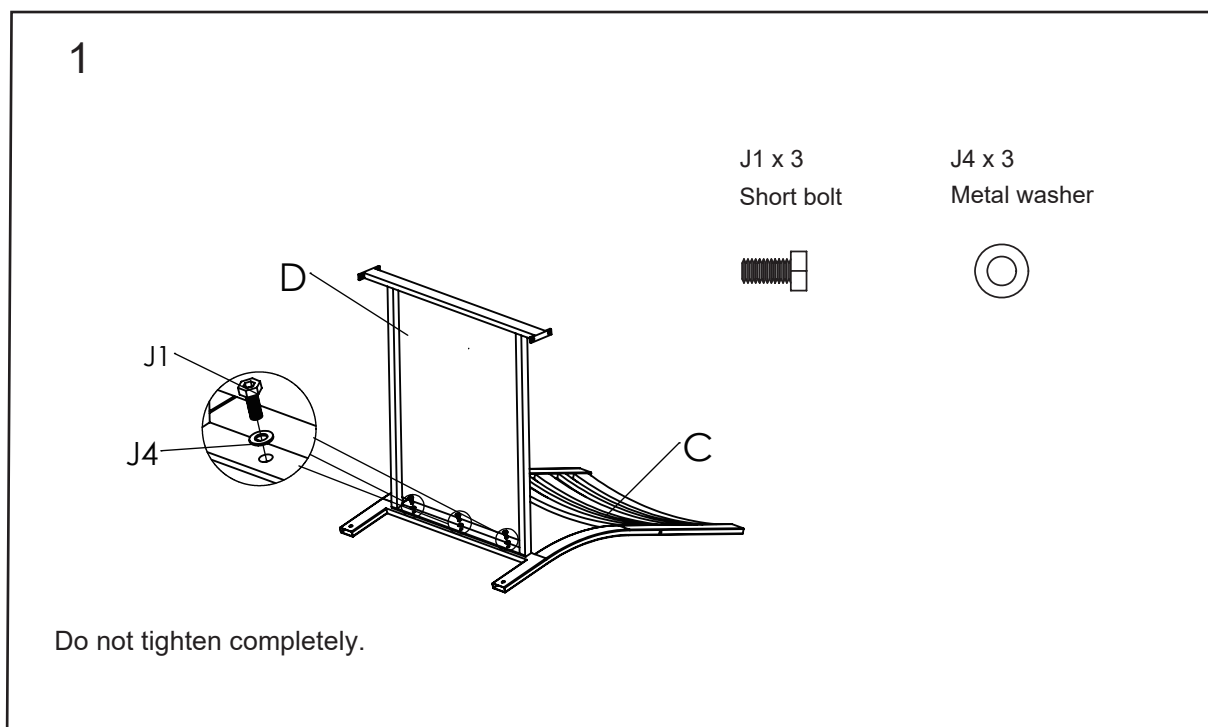
Wash frames and cushions with a mild solution of soap and water; rinse thoroughly. Dry completely and drip-dry cushions. Do not use bleach or solvents.

OBSERVE WEIGHT LIMITS

The recommended weight limits for the following products are listed below:

Chair : 225 lbs

Assembly instruction

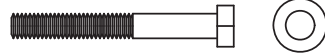
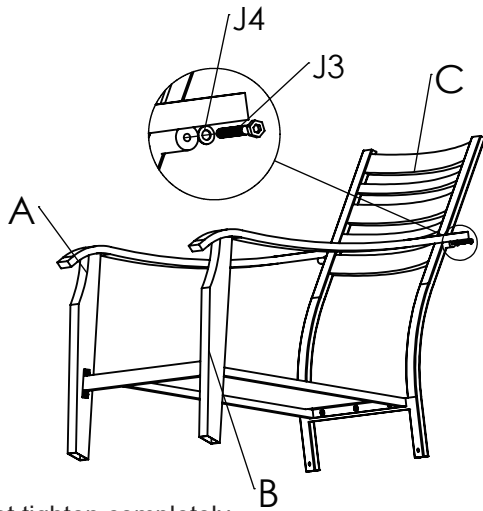


Assembly instruction

2

J3 x 2
Long bolt

J4 x 2
Metal washer

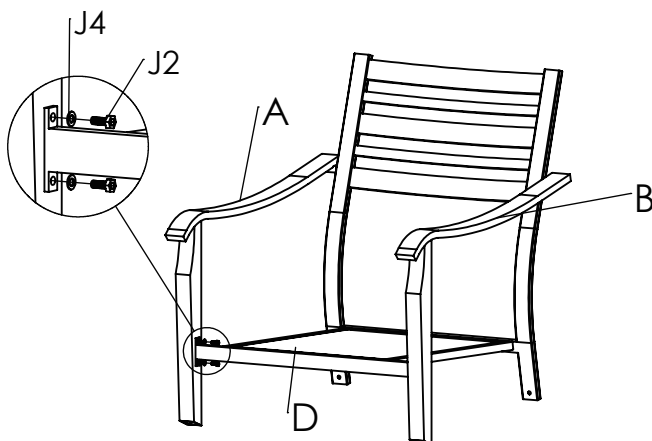


Do not tighten completely.
Repeat procedure for the other side.

3

J2 x 4
Medium bolt

J4 x 4
Metal washer



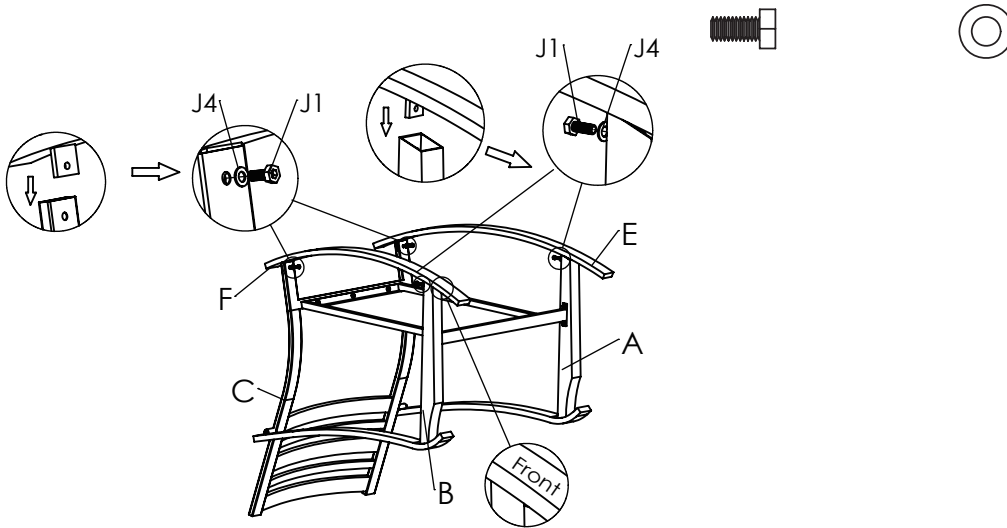
Do not tighten completely.
Repeat procedure for the other side.

Assembly instruction

4

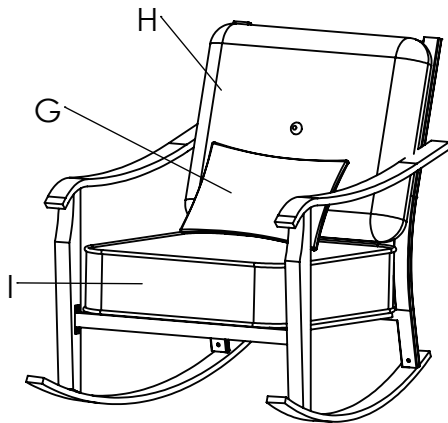
J1 x 4
Short bolt

J4 x 4
Metal washer



Once all bolts are in place, go back and tighten them by using Allen wrench (J5).

5



Now your chair is ready for use.