

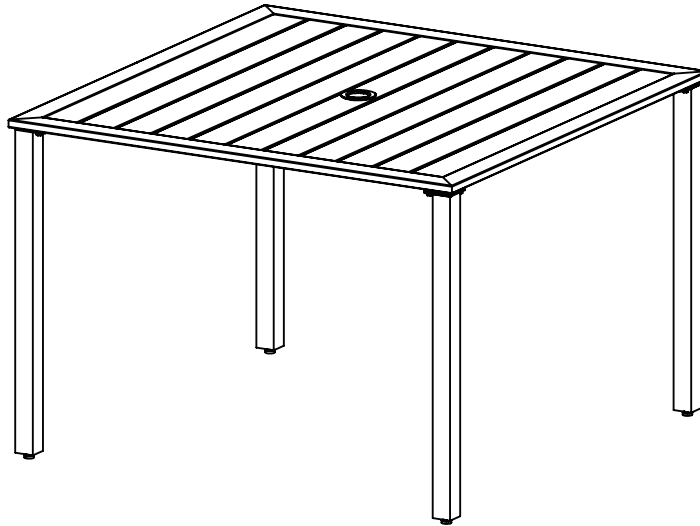
OWNER'S MANUAL

GRAMMERCY SQUARE DINING TABLE

Vendor Item:SS-K-629NTS2

SKU#:124287452

Questions, problems, missing parts with this product? Please contact us at www.numarkcustomerservice.com



ACCESSORIES

Ca (1 spare)
M6 x 15L Bolt
(16pcs remove from table top)



M6 Metal Washer
(16pcs remove from table top)



Cb (1)
Allen Wrench

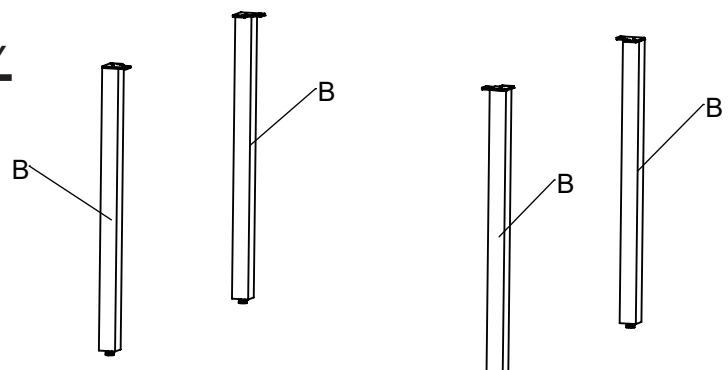
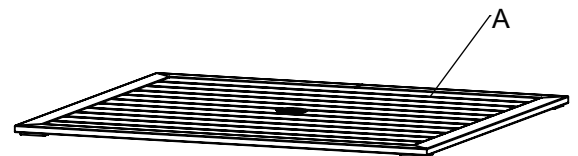


PARTS

Read through all the instructions before beginning assembly. Unpack and identify all the parts. Place them on a flat, non-abrasive surface. Assembly by two people is recommended.

- Estimated Assembly Time: 20 minutes
- Weight Limit: 100lbs
- DO NOT use power tools. Use only the tools provided.
- Periodically check all hardware and re-tighten as necessary.

| ITEM | DESCRIPTION | QUANTITY |
|------|--|----------|
| A | Table top (With attached 16 Bolts and 16 Metal Washers) | 1 |
| B | Metal Legs | 4 |

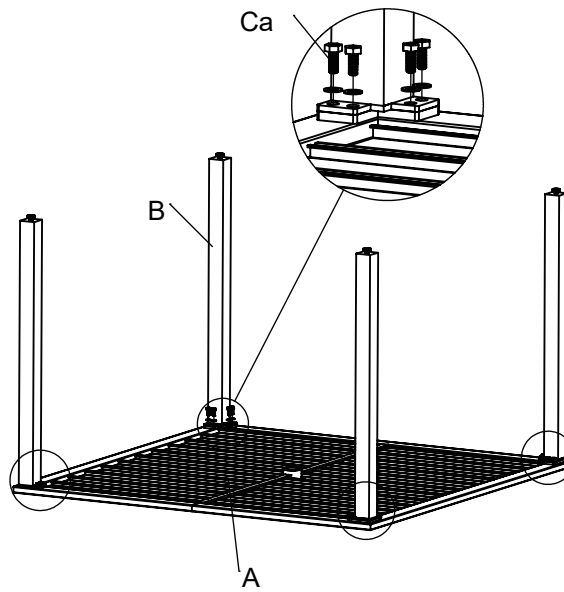


ASSEMBLY INSTRUCTIONS

- 1** Ca x 16
M6 x 15L Bolt
(Remove from table top)



- M6 Metal Washer x 16
(Remove from table top)



- Repeat procedure for the other three legs.
- Securely tighten all bolts.
- Adjust the table top level by twisting the knobs under the leg bottom.
- Your table is now ready for use. Enjoy!

Printed in China