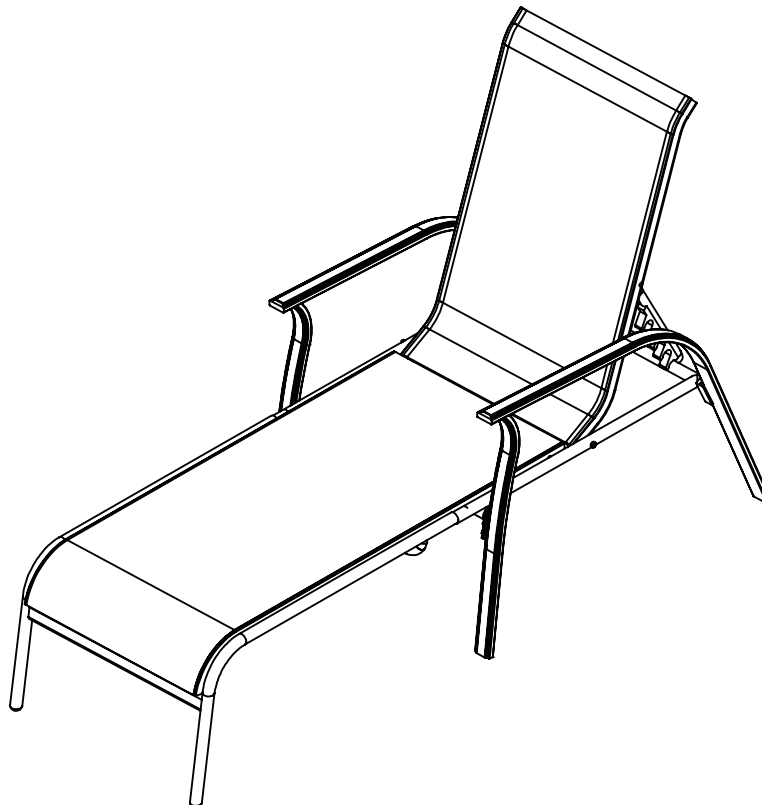


**Harrington padded sling chaise lounge**  
**ASSEMBLY INSTRUCTIONS**  
**SP-I-139NEL-BK & SP-I-139NEL-BN**



Questions, problems, missing parts with this product? Please contact us at [www.numarkcustomerservice.com](http://www.numarkcustomerservice.com)



**Care and Maintenance**

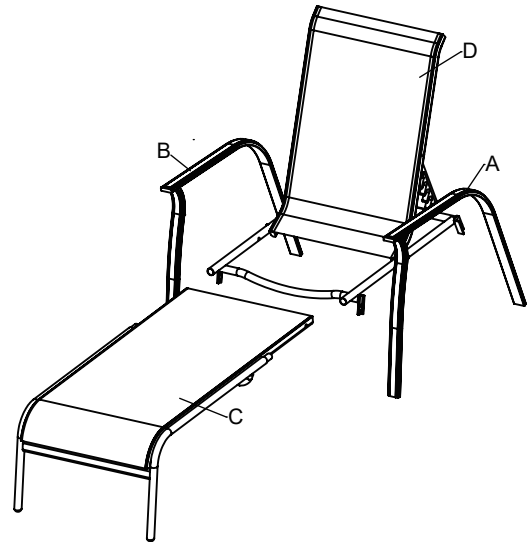
Though its powder-coated finish is rust-resistant, steel is prone to rust over time with exposure to the elements. In case of rust or scratches, lightly sand the affected area and apply touch-up paint. To maintain the finish periodically apply wax with a soft cloth.

Wash frames with a mild solution of soap and water; rinse thoroughly. Do not use bleach or solvents.

Do not store anything on tabletop. Use furniture covers or store indoors during cold or inclement weather.

# Parts

A	Left Arm	1
B	Right Arm	1
C	Front Seat	1
D	Rear Seat and Back	1



## Hardware

Ea x 8 +1 spare  
Short Bolt



Eb x 2  
Long Bolt




Ec x 10  
Metal Washer




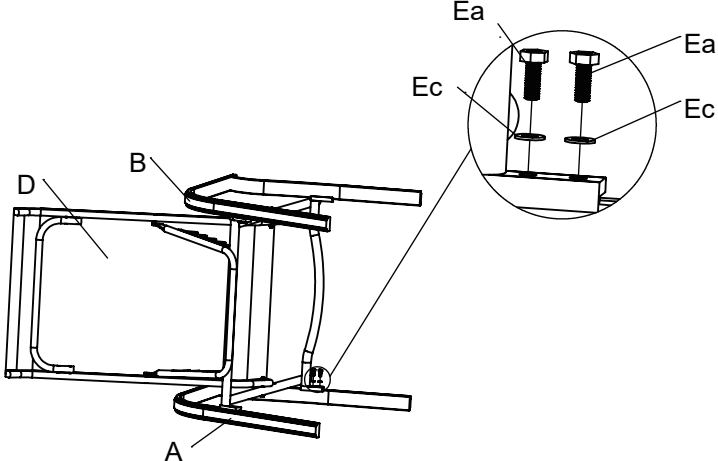
Ed x 1  
Allen Wrench



## Assembly instruction

**1** Ea x 4  
Short Bolt 

Ec x 4  
Metal Washer 



Do not tighten completely.  
Repeat procedure for the other side.

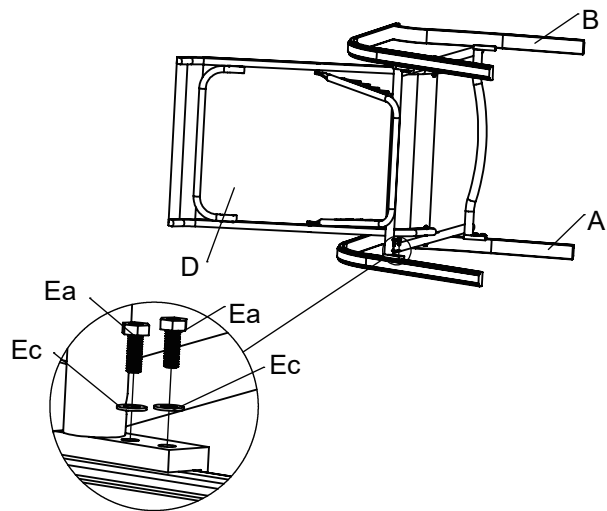
# Assembly instruction

2

Ea x 4  
Short Bolt

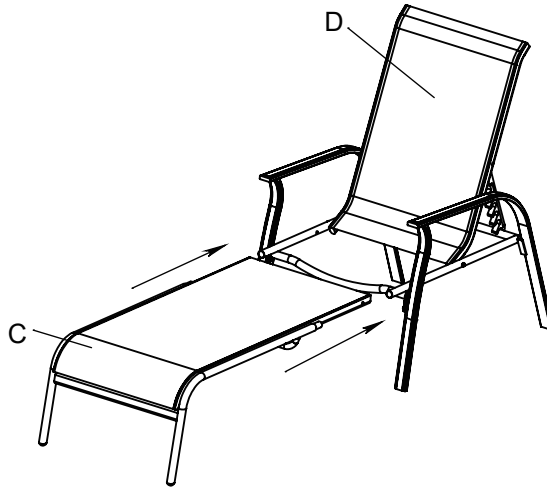


Ec x 4  
Metal Washer



Don't tighten completely.  
Repeat Step 1 & 2 for the right arm.

3

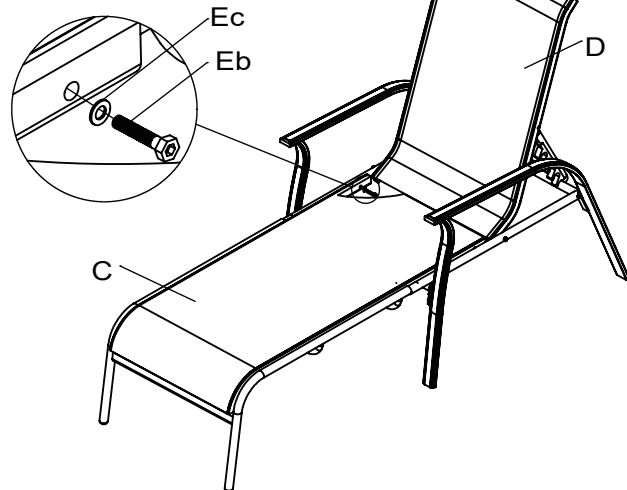


4

Eb x 2  
Long Bolt



Ec x 2  
Metal Washer



Don't tighten completely.  
Repeat procedure for other side.  
Once all bolts are in place, go back and tighten all bolts by using Allen wrench (Ed).  
Now your chaise lounge is ready for use.