

SAVANNAH POLYWOOD PARK BENCH

ASSEMBLY INSTRUCTION

ITEM#: SR-K-620PBD

SKU# 810557333

Big Lots Stores, Inc. P.O. Box 28523; Columbus, OH 43228-0523 / Made In China

Need help? We are here for you!
Please contact 1-800-457-4652 or contact us at
www.numarkcustomerservice.com for assistance

GENERAL BEST PRACTICES FOR ASSEMBLY:

- * Determine you have adequate space for assembly from any obstruction, including buildings, tree limbs, and electrical wires.
- * Assembly by two adults is recommended
- * Keep children away during assembly. This item contains small parts which can be swallowed by children. Children should always be under adult supervision while using this product.
- * Always inspect the bench during each use for any obstructions.
- * Do not discard any of the packaging until you have checked that you have all the parts and fittings.
- * Retain the assembly instructions for future reference.
- * The manufacturer will not accept responsibility for unauthorized repairs or modifications to this product.

WARNINGS:

Weight limit: 400lbs

This product is for residential use only, not for commercial use.

Do not stand on product or use as a step ladder.

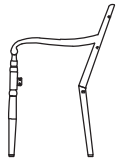
For optimum safety, use on even surface only!

Improper use of this product or failure to use as directed may result in injury.

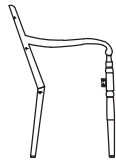
MAINTENANCE:

- * Annually:
 - * Check all nuts and bolts for tightness each season and more often if used frequently.
 - * Oil all metal moving parts with a general purpose lubricating oil to ensure proper performance and safety.
- * To clean, wash frame with mild soap and water; rinse thoroughly. Dry frame completely.
- * Do not use bleach, acid, or other solvents on the frame parts.
- * To prolong the life of your bench we recommend storage in a dry area when not in use or during austere weather conditions.

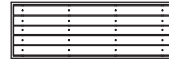
PARTS LIST



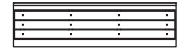
A
x 1
Right Arm



B
x 1
Left Arm



C
x 1
Seat



D
x 1
Back

HARDWARE LIST



Ea
x 6
Bolt



Eb
x 4
Sunk Screw



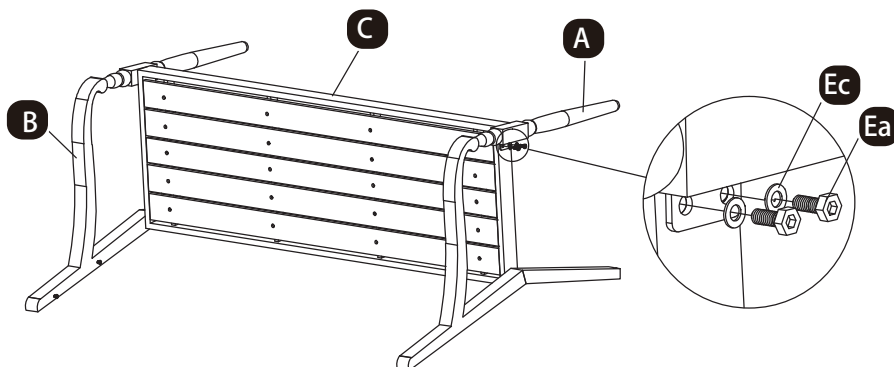
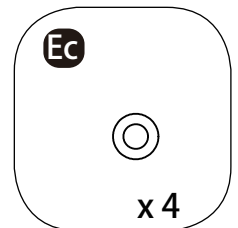
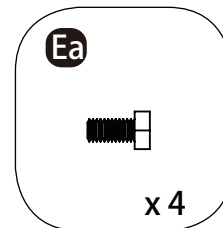
Ec
x 6
Metal Washer



Ed
x 1
Allen Wrench

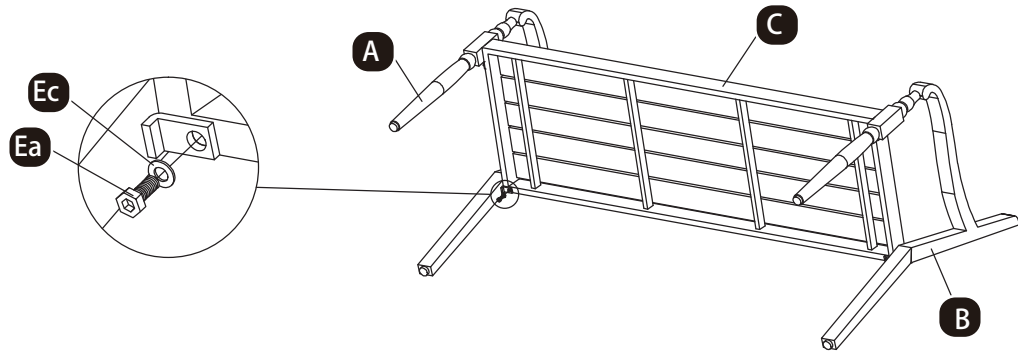
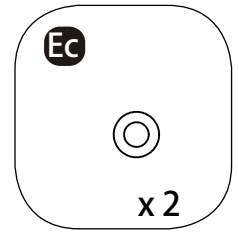
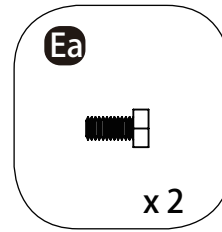
STEP 1

Attach the arms (A&B) to the seat (C) with 2 bolts (Ea) and 2 metal washers (Ec).
Do not tighten completely.
Repeat procedure for the other side.



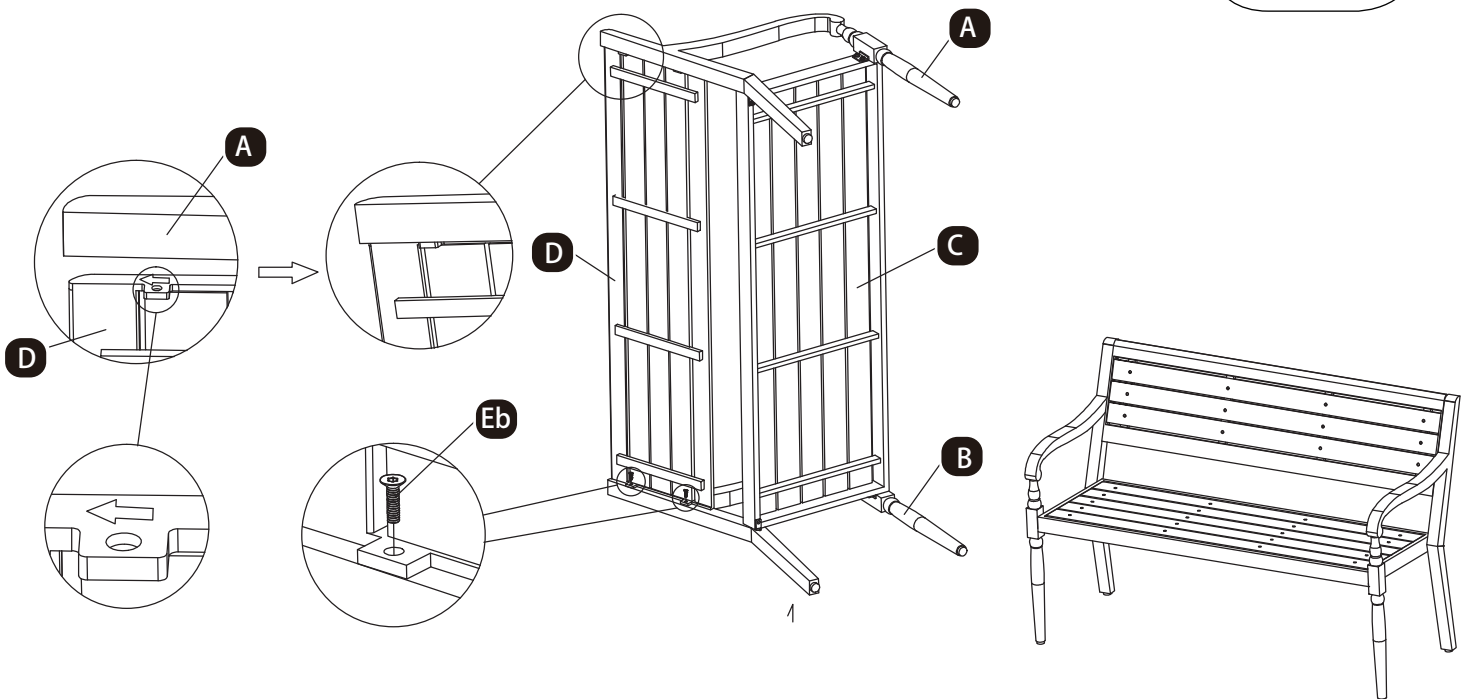
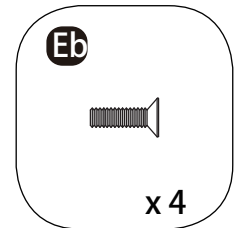
STEP 2

Attach the arms (A&B) to the seat (C) with 1 bolt (Ea) and 1 metal washer (Ec).
Do not tighten completely.
Repeat procedure for the other side.



STEP 3

Attach the back (D) to the arm (B) with 2 sunk screws (Eb). Note: the arrow points per drawing when assemble.
Do not tighten completely.
Repeat procedure for the other side.



Turn the bench over. Securely tighten all bolts.