

ASSEMBLY INSTRUCTION

ITEM#: SC-K-454PGS2

SKU# 810547502

Broyhill, LLC P.O. Box 236; Summit Station, OH 43073 / Made In China

Pergola Daybed Swing

Need help? We are here for you!

**Please contact 1-800-457-4652 or contact us at
www.numarkcustomerservice.com for assistance**

GENERAL BEST PRACTICES FOR ASSEMBLY:

- * Determine you have adequate space for assembly (1.83m or 6ft.) from any obstruction, including buildings, tree limbs, and electrical wires.
- * Assembly by four adults is recommended
- * Keep children away during assembly. This item contains small parts which can be swallowed by children. Children should always be under adult supervision while using this product.
- * Always inspect the swing during each use for any obstructions.
- * Remove the canopy in heavy wind conditions to avoid tipping over and damage to the swing.
- * Do not discard any of the packaging until you have checked that you have all the parts and fittings.
- * Retain the assembly instructions for future reference.
- * The manufacturer will not accept responsibility for unauthorized repairs or modifications to this product.

WARNINGS:

KEEP ALL FLAME AND HEAT SOURCES AWAY FROM CANOPY FABRIC

The canopy is made with flame-resistant fabric which meets CPAI-84 specifications. It is not fireproof. The canopy fabric will burn if left in continuous contact with flame source. The application of any foreign substance to the canopy fabric may render the flame-resistant properties ineffective.

Weight limit is 750lbs.

This product is for residential use only, not for commercial use.

Do not stand on product or use as a step ladder.

Do not pull or hang on the spreading rod/bar.

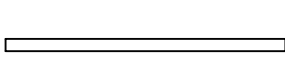
For optimum safety, use on even surface only!

Improper use of this product or failure to use as directed may result in injury.

MAINTENANCE:

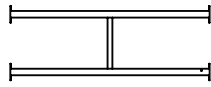
- * Annually:
 - * Check all nuts and bolts for tightness each season and more often if used frequently.
 - * Oil all metal moving parts with a general purpose lubricating oil to ensure proper performance and safety.
- * To clean, wash frame and fabric with mild soap and water; rinse thoroughly. Dry frame completely and allow the fabric to drip dry away from direct sunlight.
- * Do not use bleach, acid, or other solvents on the fabric or frame parts.
- * To prolong the life of your swing we recommend storage in a dry area when not in use or during austere weather conditions.

PARTS LIST



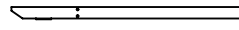
A

x 4
Leg Post



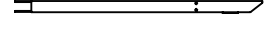
B

x 2
Side Panel



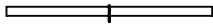
C

x 2
Top Crossbar



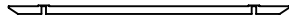
D

x 2
Top Crossbar



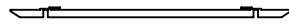
E

x 2
Top Crossbar



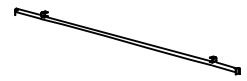
F1

x 3
Inside Canopy Crossbar



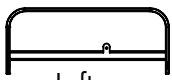
F2

x 2
Outside Canopy Crossbar



G

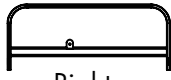
x 1
Leg Support Bar



Left

H

x 1
Left Arm



Right

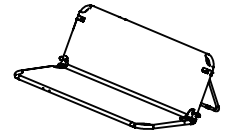
I

x 1
Right Arm



J

x 2
Rear and Front Connector Bar



K

x 1
Seat and Back



Long

L

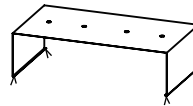
x 4
Long Hanging Bar



Short

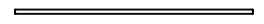
M

x 2
Short Hanging Bar



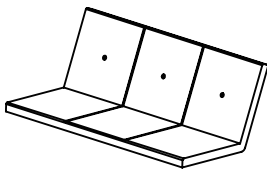
N

x 1
Canopy



O

x 2
Canopy Side Bar



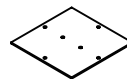
P

x 1
Cushion



Q

x 4
Post Base



R

x 4
Base Plate

HARDWARE LIST



Sa

x 8 + 1 spare
M6 x 12L Bolt



Sb

x 12 + 1 spare
M6 x 18L Bolt



Sc

x 2
M6 x 55L Bolt



Sd

x 16 + 1 spare
M8 x 15L Bolt



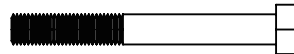
Se

x 16 + 1 spare
M8 x 20L Bolt



Sf

x 8 + 1 spare
M8 x 45L Bolt



Sg

x 2
M8 x 77L Bolt



Sh

x 14
Small Metal Washer



Si

x 42
Large Metal Washer



Sj

x 2
Nut



Sk

x 2
Plastic Washer



Sl

x 2
Hook



Sm

x 16
Lawn Stake



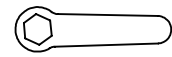
So

x 1
Open Hex Wrench



Sp

x 1
Allen Wrench



Sq

x 1
Hex Wrench



Sr

x 14
Small Locker Washer



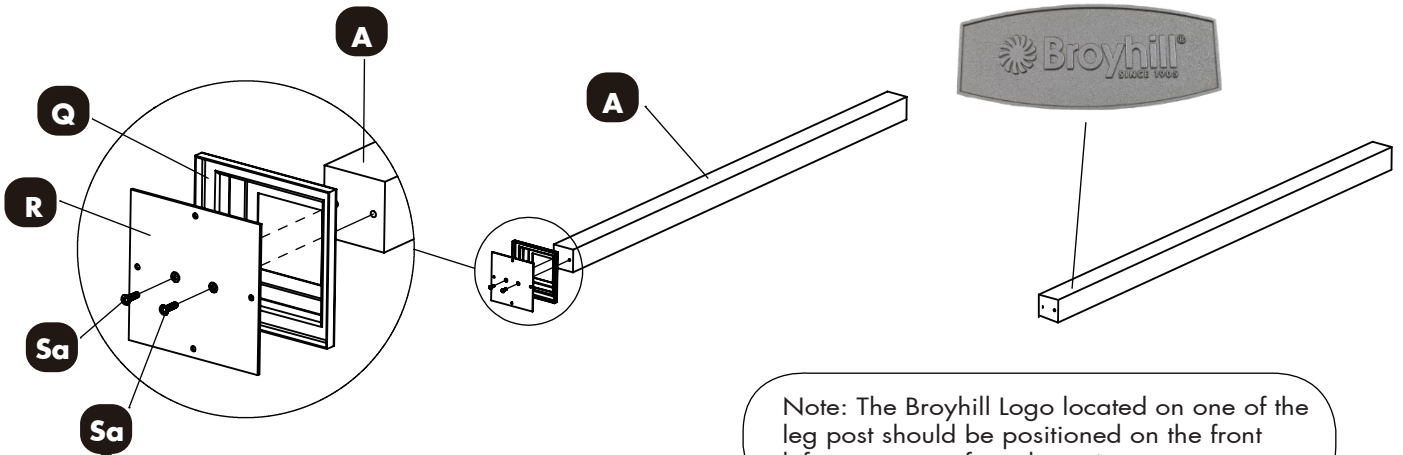
Ss

x 40
Large Locker Washer

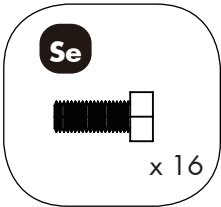
STEP 1



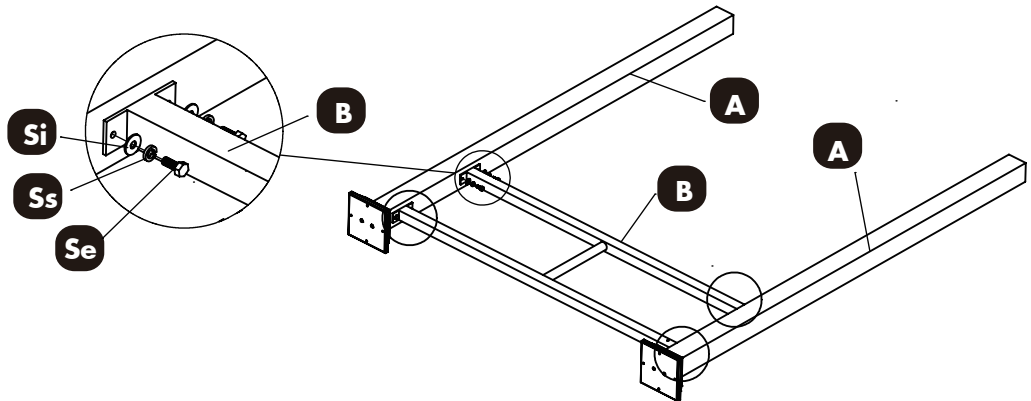
Attach 1 leg post (A) to the post base (Q) and base plate (R) with 2 bolts (Sa). Note: The side with sunk hole on the base plate should be towards outside and keep the base plate and bolts level. Securely tighten all bolts. Repeat procedure for the other remaining three leg posts.



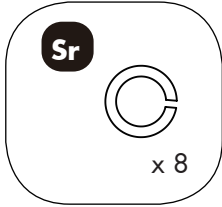
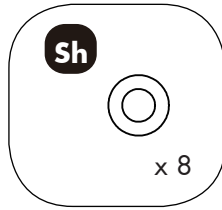
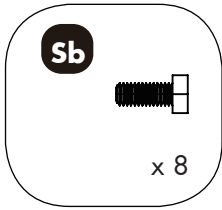
STEP 2



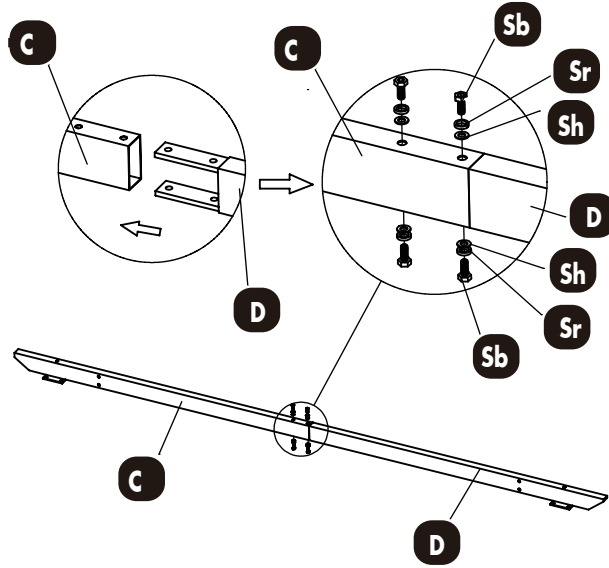
Attach 1 side panel (B) to the leg posts (A) with 8 bolts (Se), 8 large locker washers (Ss) and 8 large metal washers (Si). Do not tighten completely. Repeat procedure for the other pair of leg posts.



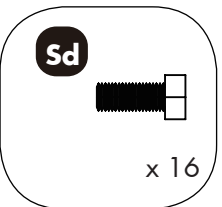
STEP 3



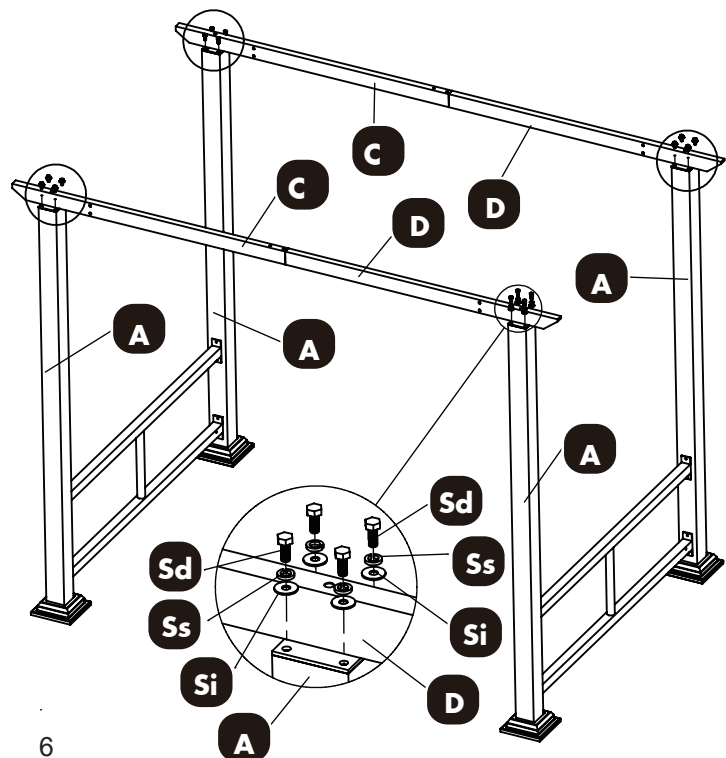
Assemble 1 top crossbar (C) and 1 top crossbar (D) with 4 bolts (Sb), 4 small locker washers (Sr) and 4 small metal washers (Sh). Do not tighten completely. Repeat procedure for the other pair of top crossbars.



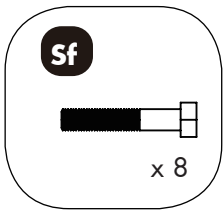
STEP 4



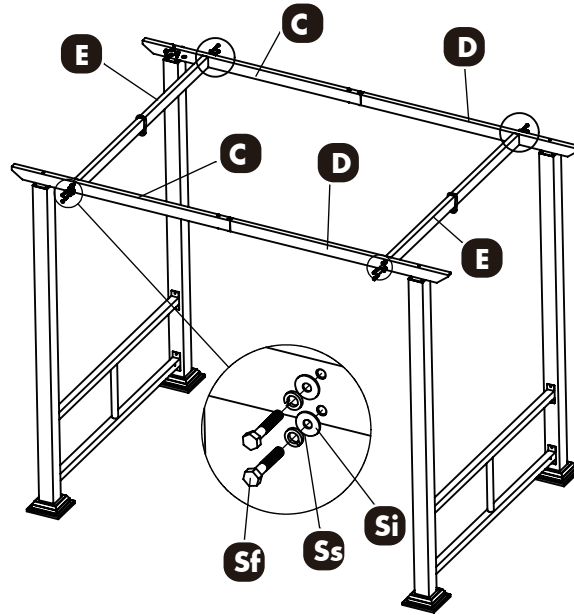
Attach 2 pairs of assembled top crossbars (C & D) to leg posts (A) with 16 bolts (Sd), 16 large locker washers (Ss) and 16 large metal washers (Si). Do not tighten completely.



STEP 5

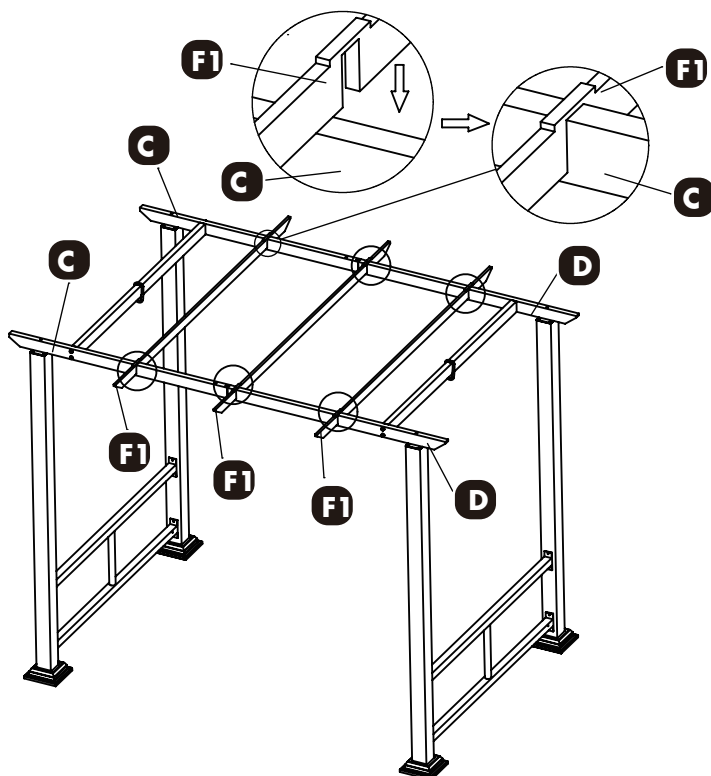


Attach 2 top crossbars (E) to top crossbars (C & D) with 8 bolts (Sf), 8 large locker washers (Ss) and 8 large metal washers (Si). Do not tighten completely.

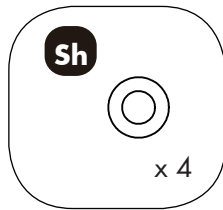
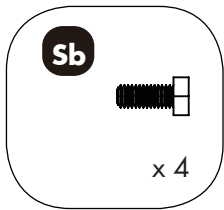


STEP 6

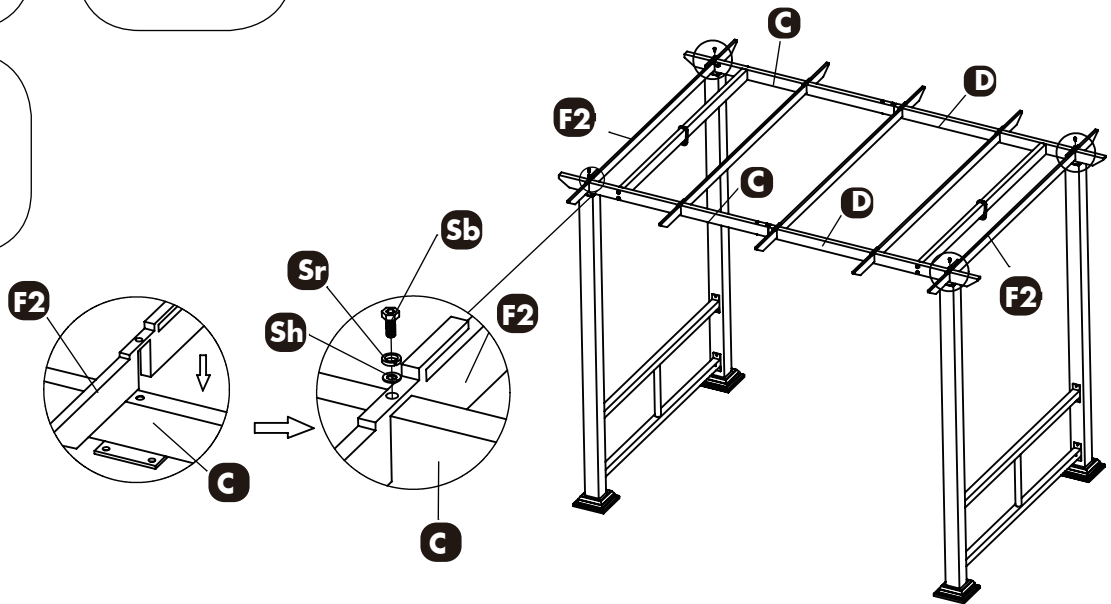
Insert 3 inside canopy crossbars (F1) into top crossbars (C & D). Insert both ends of the inside canopy crossbar into top crossbar at the same time.



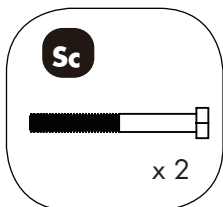
STEP 7



Insert 2 outside canopy crossbars (F2) into top crossbars (C & D) with 4 bolts (Sb), 4 small locker washers (Sr) and 4 small metal washers (Sh). Do not tighten completely.

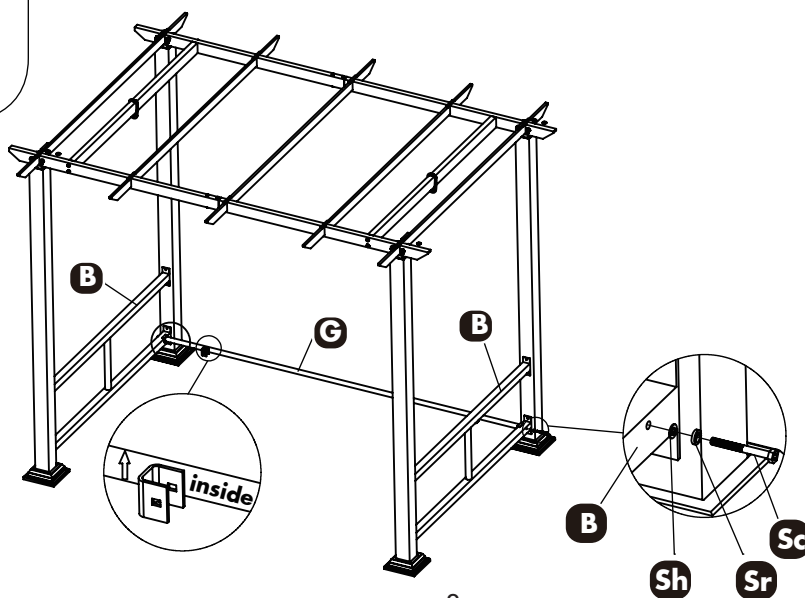


STEP 8



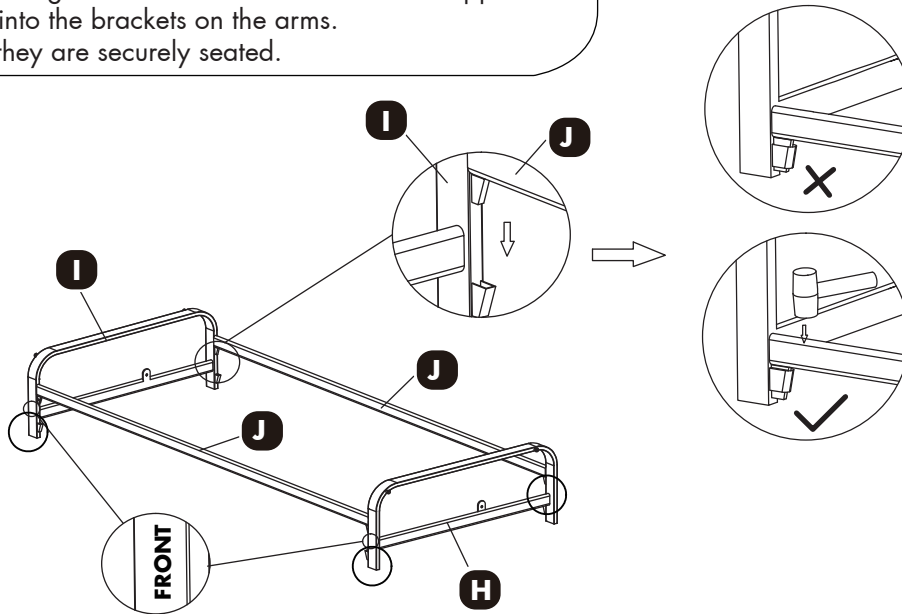
Attach 1 leg support bar (G) to side panels (B) with 2 bolts (Sc), 2 small locker washers (Sr) and 2 small metal washers (Sh).
Note: The side with "inside" label and "U" shaped bracket should be towards inside.

The distance between two assembled side panel with leg posts can be adjusted when assemble the leg support bar (G).
The side with the connected bracket out should be facing upwards.
TIGHTEN ALL BOLTS FOR STEPS 2, 3, 4, 5, 7, 8.



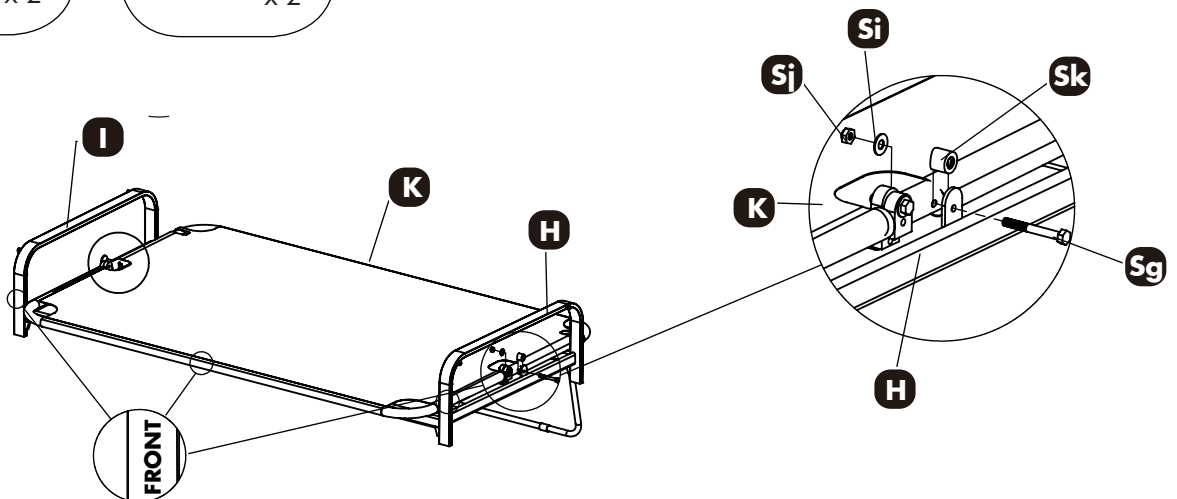
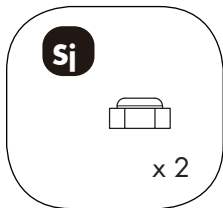
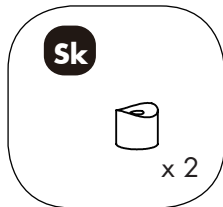
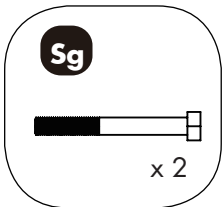
STEP 9

Connect 2 rear and front connector bars (J) to left and right arms (I & H). Attach the seat support bars to the arms by pressing the tabs on the ends of the seat support bars down into the brackets on the arms. Make sure they are securely seated.

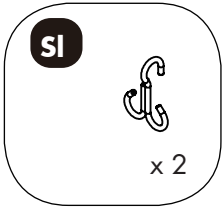


STEP 10

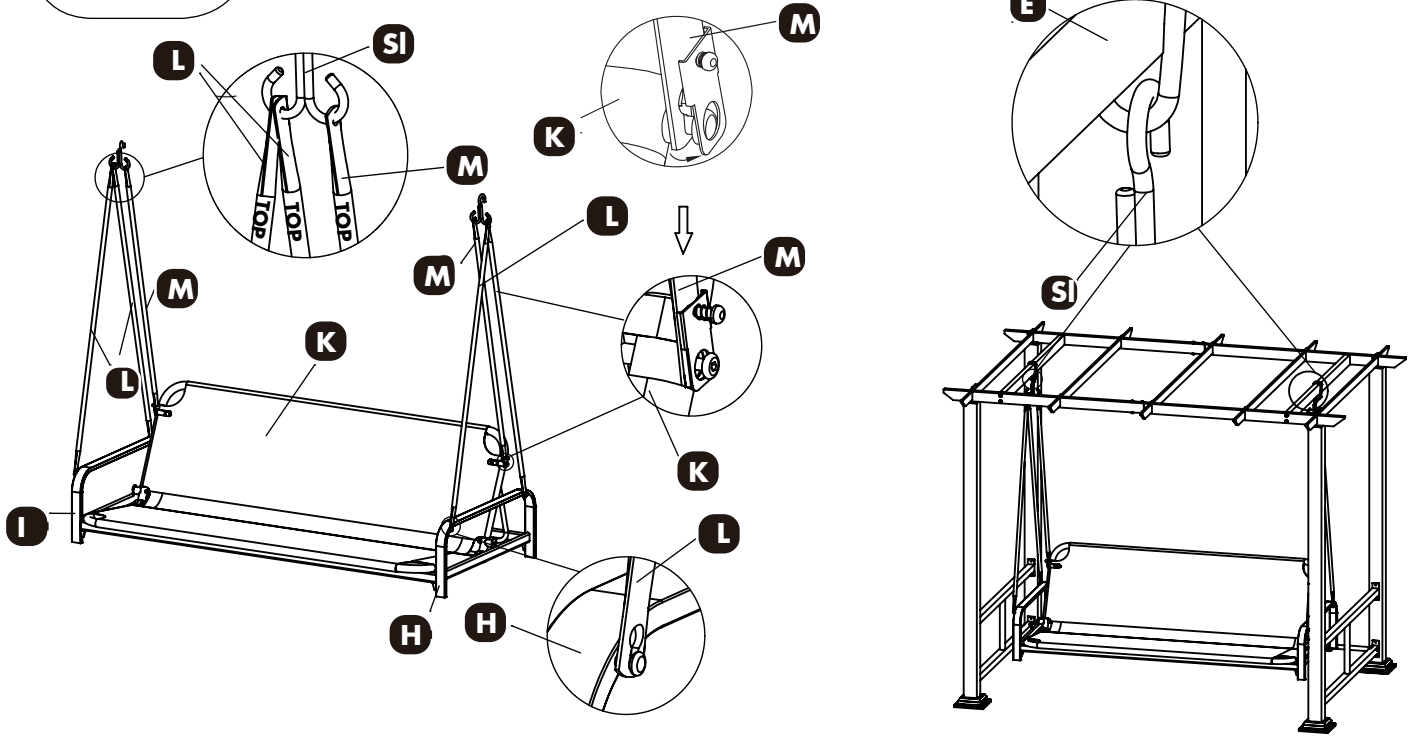
Attach 1 seat and back (K) to left and right arms (H & I) with 2 bolts (Sg), 2 plastic washers (Sk), 2 large metal washers (Si) and 2 nuts (Sj). Note: the side of the seat with "front" label should be in accordance with the side with label of the arm. Securely tighten all bolts for this step.



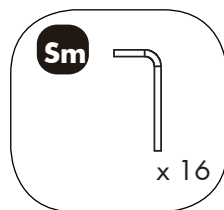
STEP 11



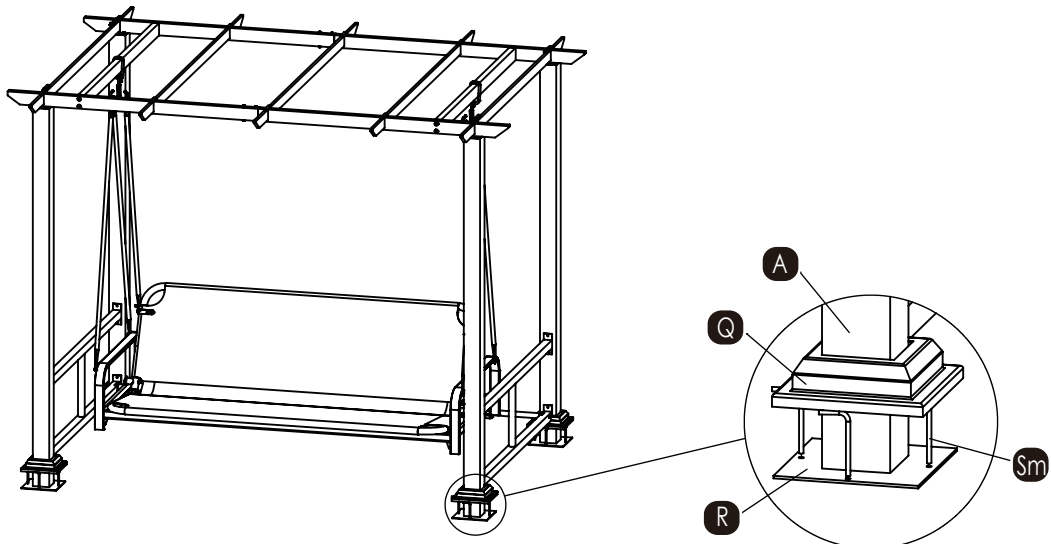
Attach 4 hanging bars (L) and 2 hanging bars (M) to the arms (I & H) and top crossbars (E) with hooks (SI).
Note: Hanging bars with top sticker should be on top.



STEP 12

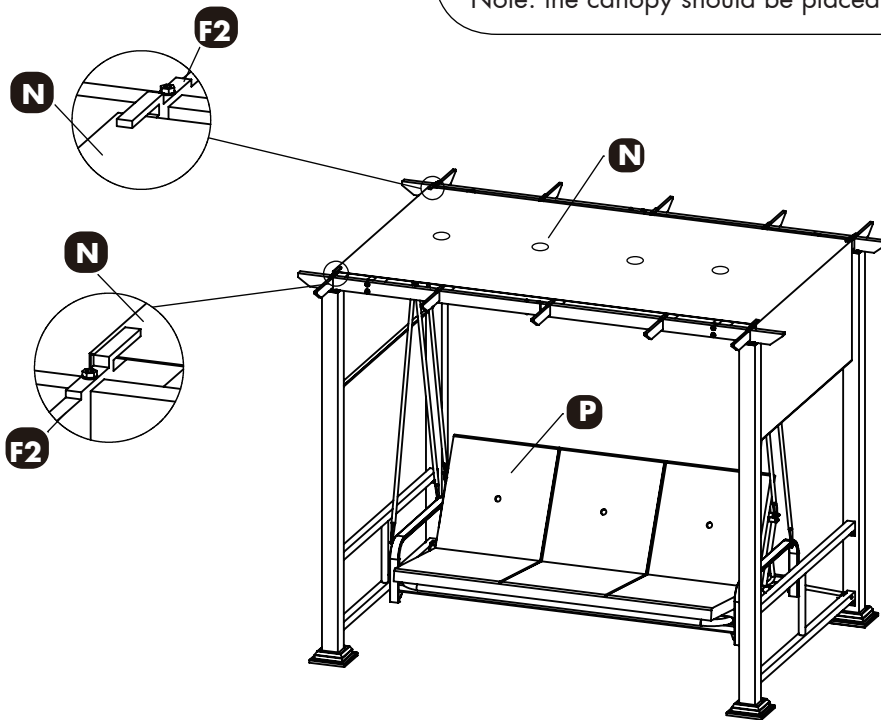


Attach 16 lawn stakes (Sm) to base plate (R).



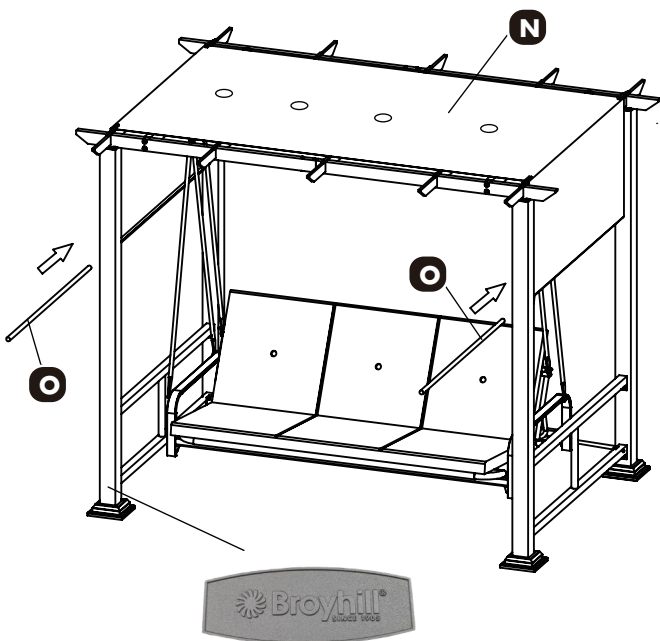
STEP 13

Attach 1 canopy (N) to canopy cross bars.
Note: the canopy should be placed under the brackets.

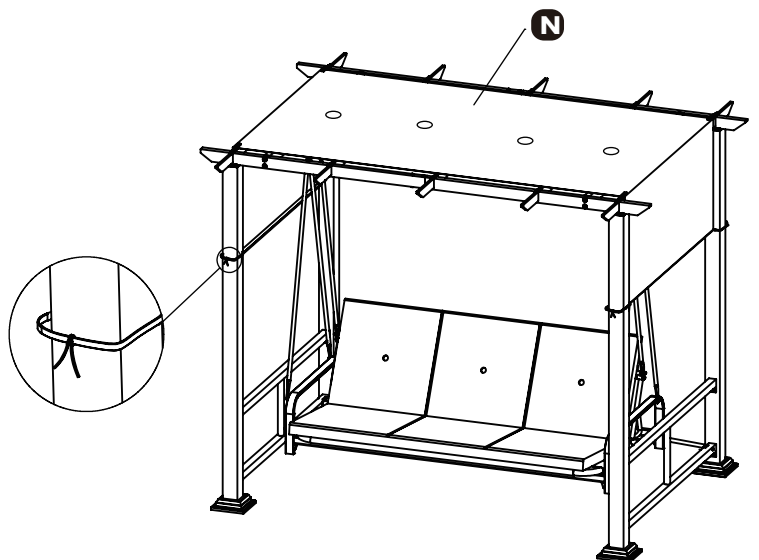


STEP 14

Insert 2 canopy side bars (O) into canopy (N) and attach cushion (Swing is ready for use).

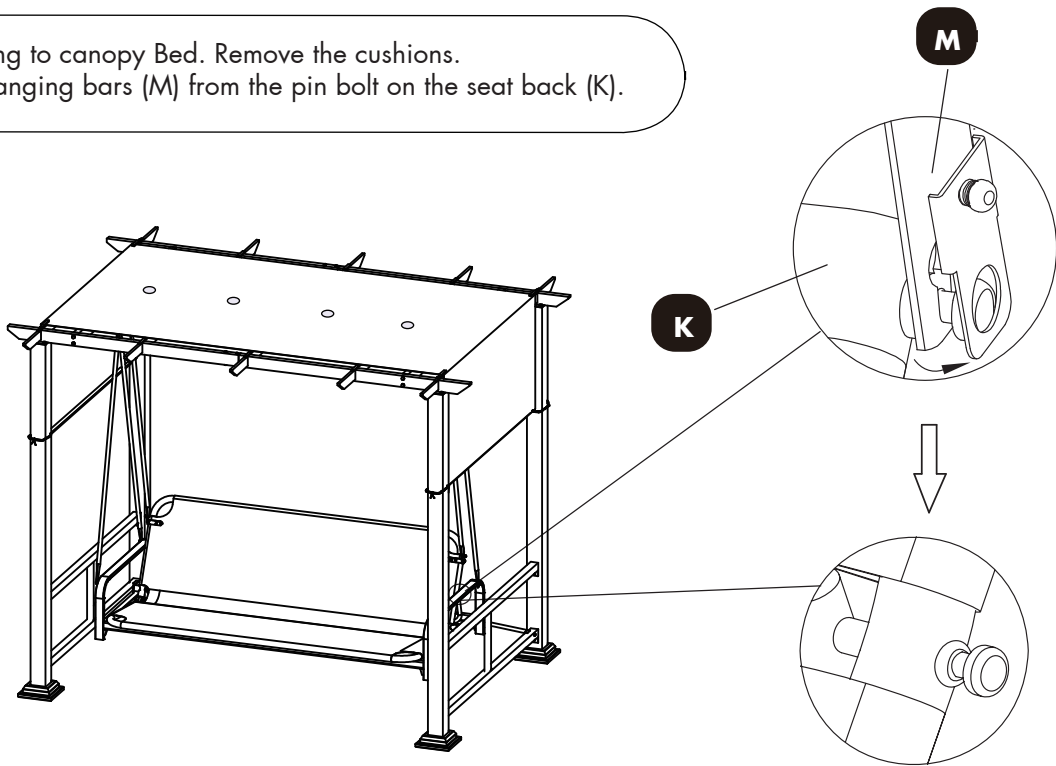


Note: The Broyhill Logo located on one of the leg post should be positioned on the front left post as you face the swing.



STEP 15

Convert swing to canopy Bed. Remove the cushions.
Remove 2 hanging bars (M) from the pin bolt on the seat back (K).



STEP 16

The support bar on the back of seat and back (K) should be inserted into the U-shaped brackets at the same time by 2 people and firmly pressed into place keeping the bed steady. Replace cushions. Lock canopy bed in place.

