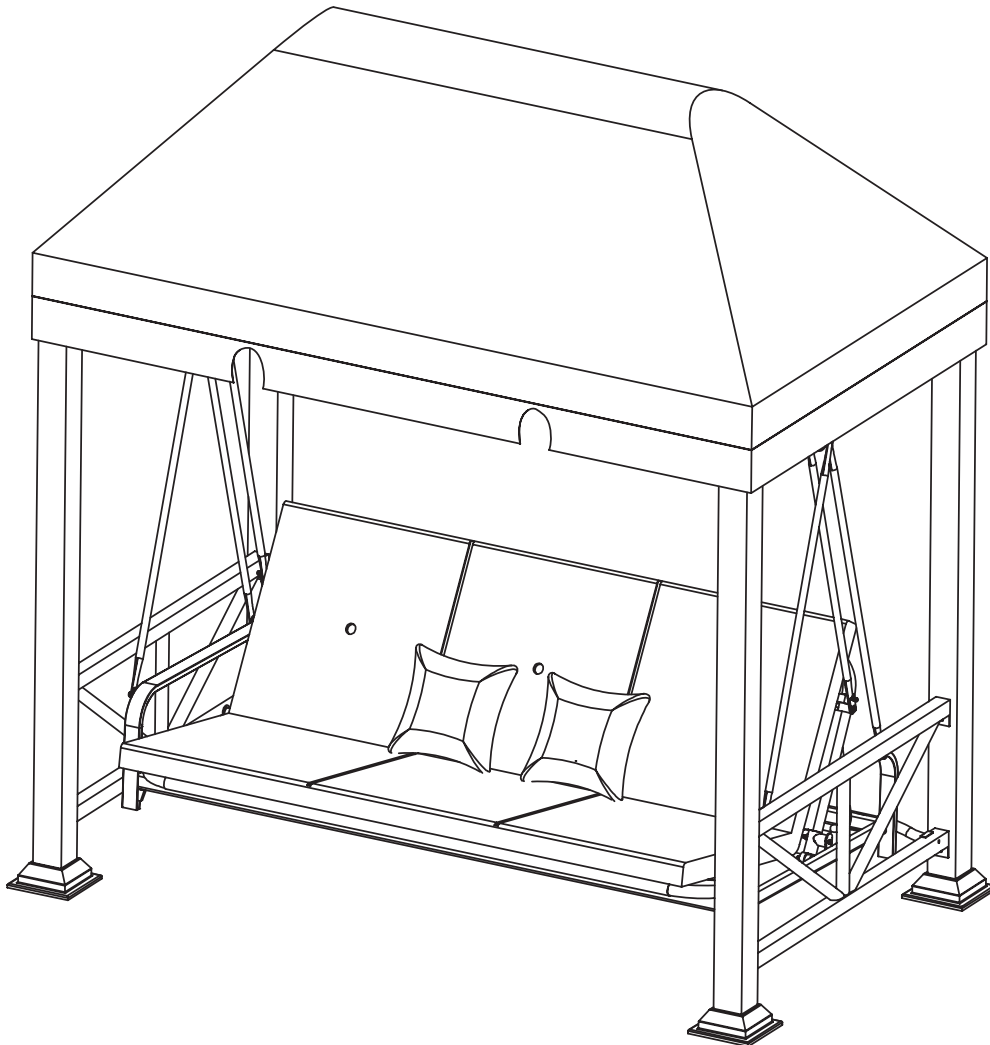


BHG Sullivan Pointe 3 person Gazebo Swing,
Green, steel with E-coat
ASSEMBLY INSTRUCTIONS
ITEM# BH15-092-099-01

ATTENTION: THIS PRODUCT IS NOT FOR COMMERCIAL USE

INTENDED FOR RESIDENTIAL USE ONLY.

Questions, problems, missing parts with this product? Do not return to your retailer, please call our customer service department 9:00 a.m. to 5:00 p.m. Eastern Standard Time Monday through Friday Phone # 1-800-457-4652 or contact us at www.numarkcustomerservice.com



DON'T RETURN TO STORE

WARNINGS AND CAUTIONS

- * It is essential to place the swing on level ground and not less than 1.83m from any obstruction such as fences, garages, the house, overhanging branches, laundry lines, or electrical wires.
- * Oil all metallic moving parts during usage season
- * Always remove the canopy in heavy wind conditions, otherwise the canopy may tip over and may cause damage to its parts.
- * The swing should always be inspected before each use.
- * Do not discard any of the packaging until you have checked that you have all the parts and pack of fittings.
- * Check all nuts and bolts for tightness before and during usage season.
- * Keep children away during assembly. This item contains small parts which can be swallowed by children. Children should always be under direct adult supervision while using the product.
- * The manufacturer will not accept responsibility for unauthorized repair of modifications to the gazebo.
- * Retain the assembly instructions for future reference.
- * Assembly by four adults is recommended.
- * Weight limit 600lbs.
- * Estimated Assembly Time: 60 Minutes - 2 persons.


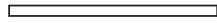
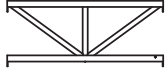



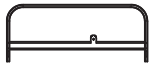
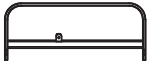

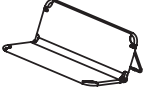



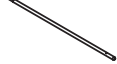
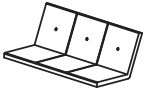

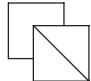


CLEANING AND MAINTENANCE

- * Wash frame and fabric with mild soap and water; rinse thoroughly.
- * Dry frame completely and allow the fabric to drip dry away from direct sunlight.
- * Do not use bleach, acid, or other solvents on the fabric or frame parts.
- * In order to prolong the life and beauty of your swing, we recommend that the swing be stored in a dry area when not in use. (For example, overnight or on rainy days.)
- * Pls inspect and tighten all bolts or fasteners on a regular basis to ensure proper performance and safety of your swing.



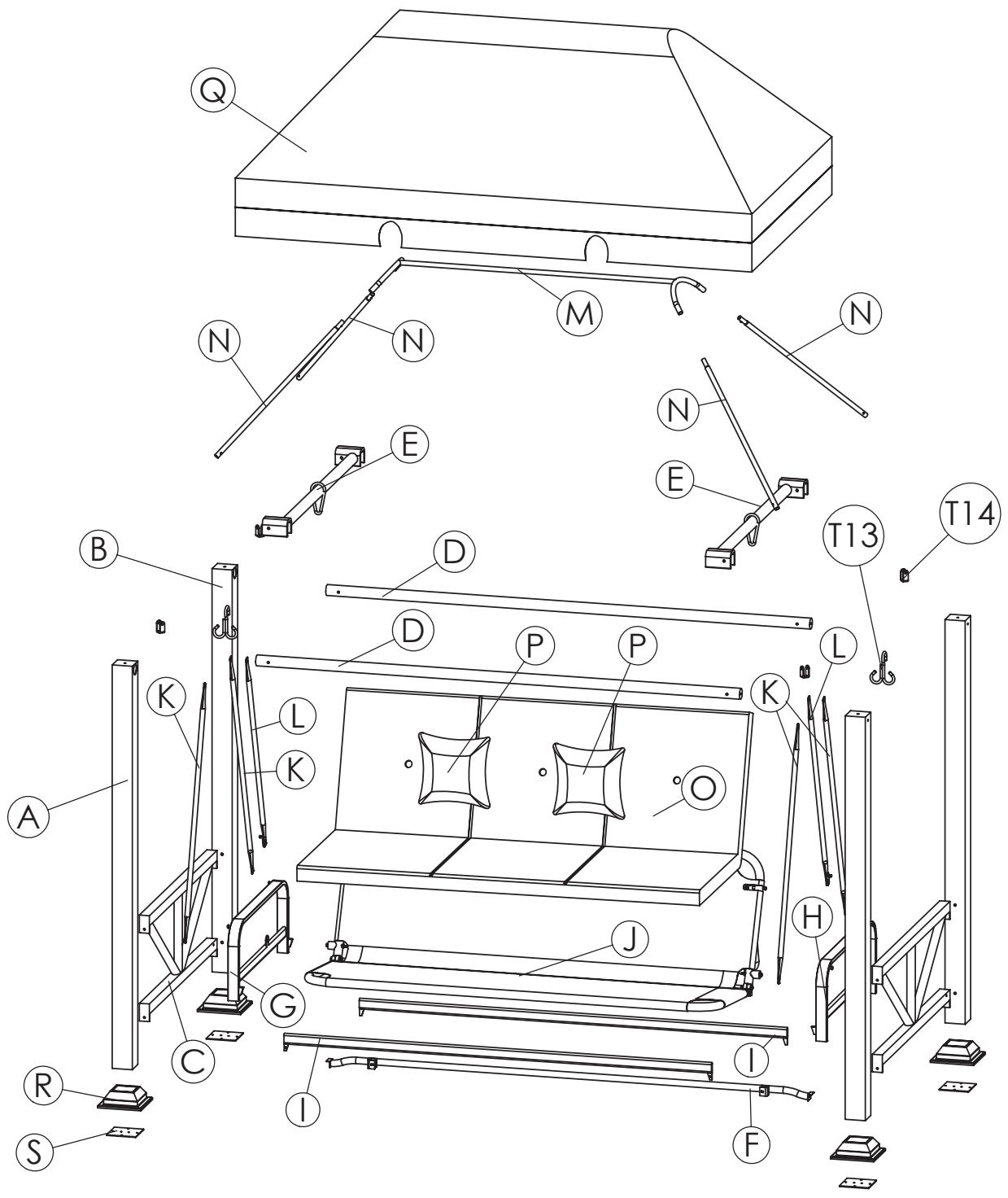
DON'T RETURN TO STORE

Remove all components from the polybag and unwrap all package materials. Please count the components, there are:

NO.	Part	Description	Quantity
A		Leg Post	2
B		Leg Post	2
C		Side Panels	2
D		Top Crossbar	2
E		Top Crossbar	2
F		Rear Leg Crossbar	1
G		Right Arm	1
H		Left Arm	1
I		Seat Support Bar	2
J		Seat and Back	1
K		Long Hanging Bar	4
L		Short Hanging Bar	2
M		Canopy Top Frame	1
N		Canopy Side Bar	4
O		Cushion	1
P		Pillows	2
Q		Canopy Fabric	1
R		Post Base	4
S		Base Plate	4







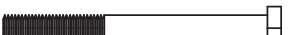













DON'T RETURN TO STORE



STOP DON'T RETURN TO STORE

ACCESSORIES

NO.	Part	Description	Quantity
T1		M6x12L Counter Sink Bolt	8+1 spare
T2		M6x15L Bolt	4
T3		M6x30L Bolt	4
T4		M6x55L Bolt	2
T5		M8x20L Bolt	12+1 spare
T6		M8x60L Bolt	4
T7		M8x77L Bolt	2
T8		M6 Nut	4
T9		M8 Nut	6
T10		M6 Metal Washer	2
T11		M8 Metal Washer	22
T12		Plastic Washer	2
T13		S-Hook	2
T14		U-Bracket	4
T15		Open Hex Wrench	1
T16		Allen Wrench	2
T17		M8 Hex Wrench	1
T18		Assembly instructions sheet	1



DON'T RETURN TO STORE

Step1

T1 x 8



M6x12L
Counter Sink Bolt

T2 x 4

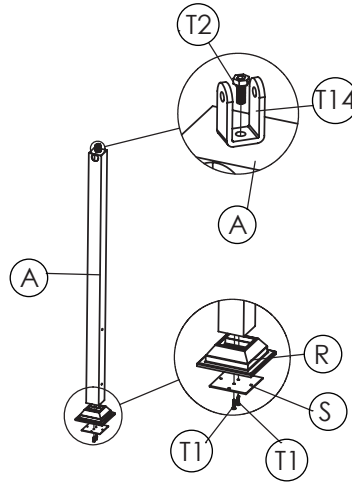


M6x15L Bolt

T14 x 4



U-Bracket



Please don't tighten the bolts fully at this step.

Note: After assembly, Bolt T1 should flush with base plate S
Repeat procedure for the other 3 legs.

Step2

T5 x 8

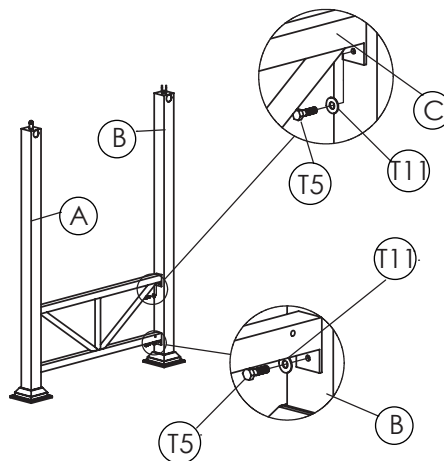


M8x20L Bolt

T11 x 8



M8 Metal Washer



Please don't tighten the bolts fully at this step.

Repeat procedure for the other side.



DON'T RETURN TO STORE

Step3

T5 x 4

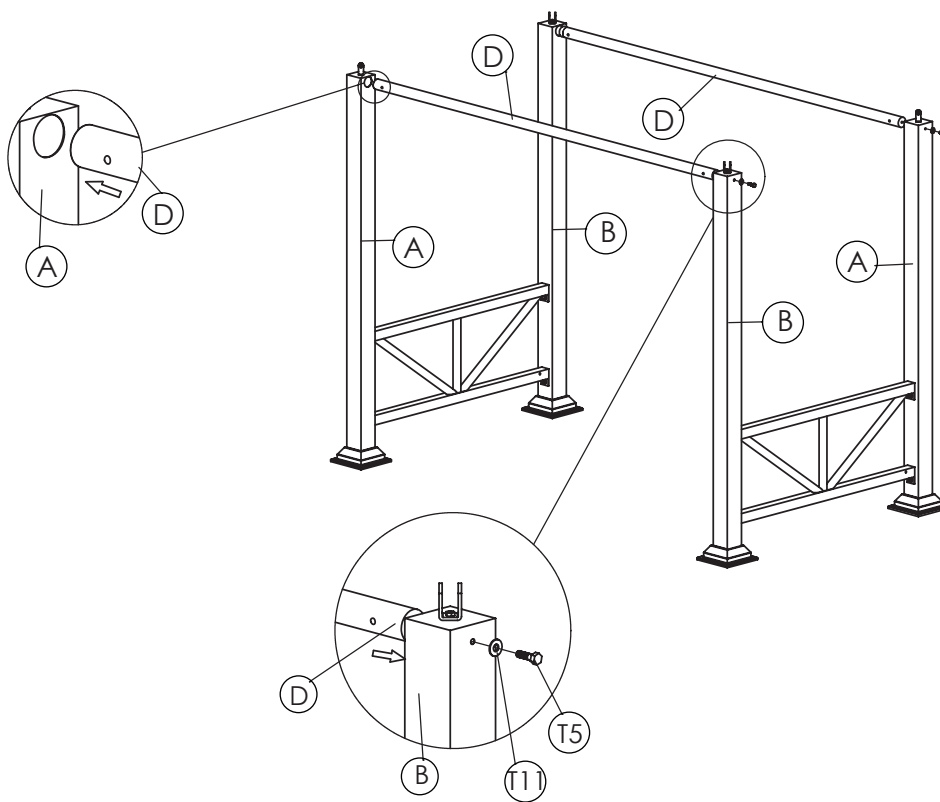


M8x20L Bolt

T11 x 4



M8 Metal Washer



**Please don't tighten the bolts fully at this step.
Repeat procedure for the other side.**



DON'T RETURN TO STORE

Step4

T6 x 4



M8x60L Bolt

T9 x 4

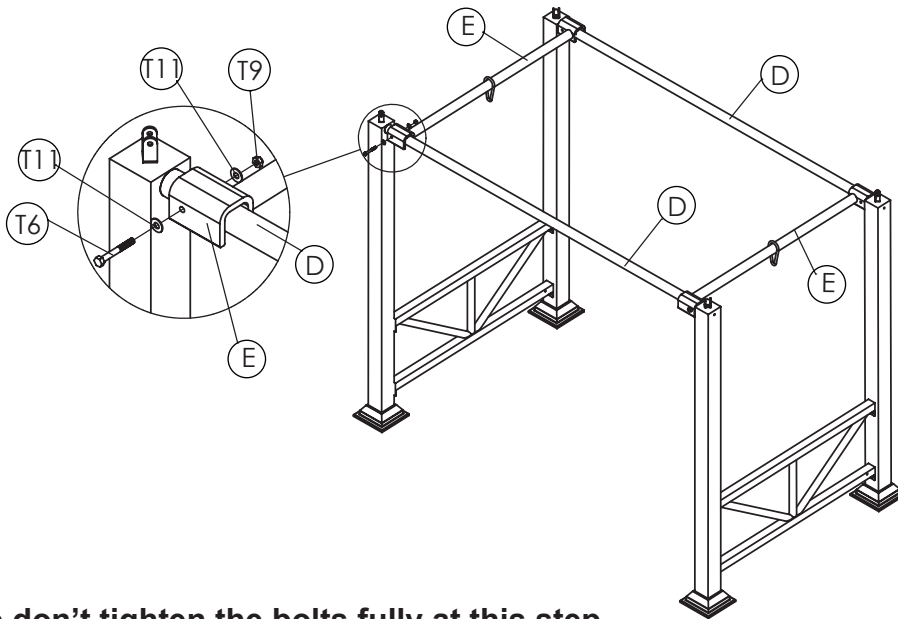


M8 Nut

T11 x 8



M8 Metal Washer



**Please don't tighten the bolts fully at this step.
Repeat procedure for the other side.**

Step5

T4 x 2

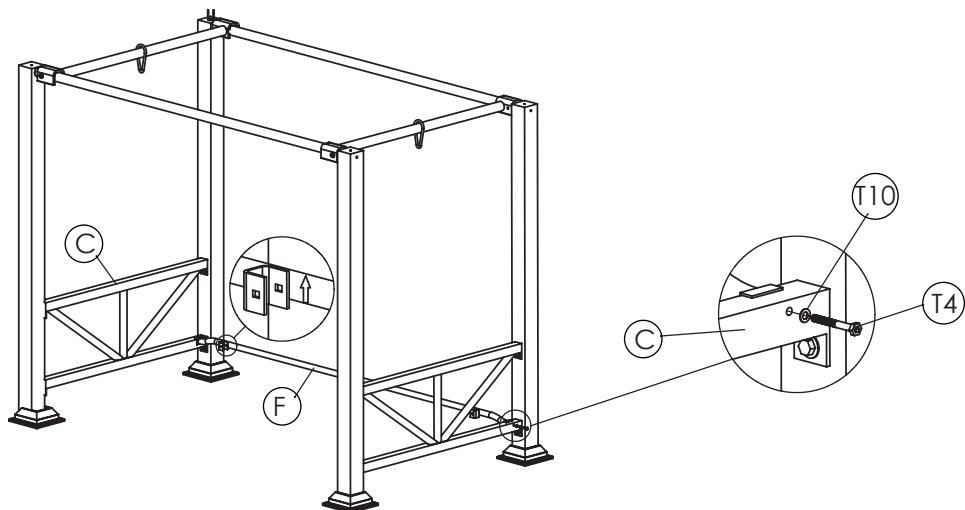


M6x55L Bolt

T10 x 2



M6 Metal Washer



Note: Arrow on the rear leg crossbar should point upside.

Please don't tighten the bolts fully at this step.

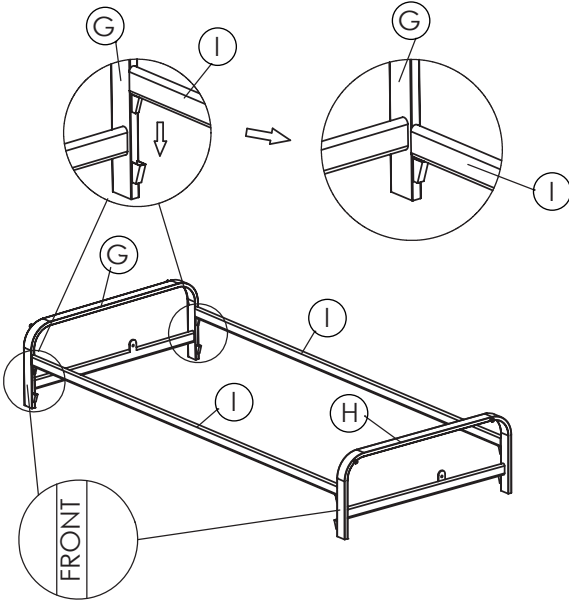
Repeat procedure for the other side.

And then securely tighten overall frame's the bolts except T2 bolt on leg post top .



DON'T RETURN TO STORE

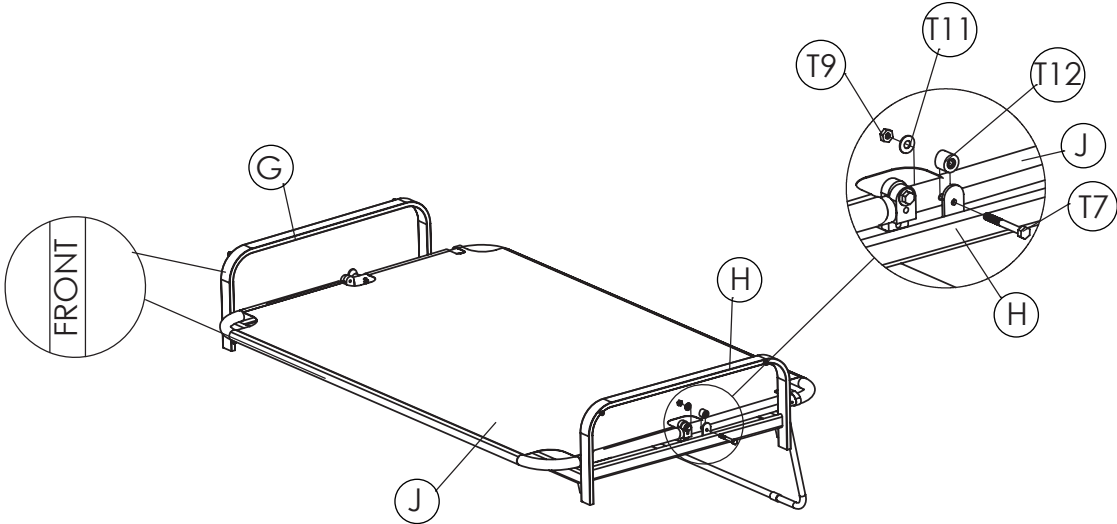
Step6



**Note: There is a 'FRONT' label mark on the left & right arm.
 The seat should be assembled the front of the arms.
 Please make sure the tabs on the ends of the seat support bars fully insert into the brackets on the arms .**

Step7

- | | | | |
|---|---|---|---|
| T7 x 2 | T9 x 2 | T11 x 2 | T12 x 2 |
|  |  |  |  |
| M8x77L Bolt | M8 Nut | M8 Metal Washer | Plastic Washer |



Please tighten all the bolts fully at this step.

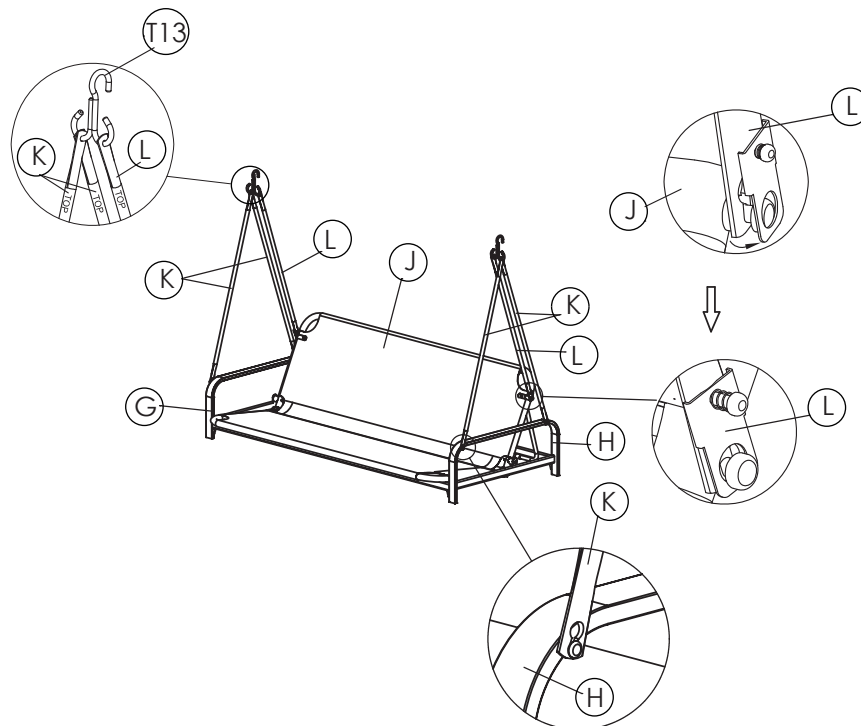
STOP DON'T RETURN TO STORE

Step8

T13 x 2

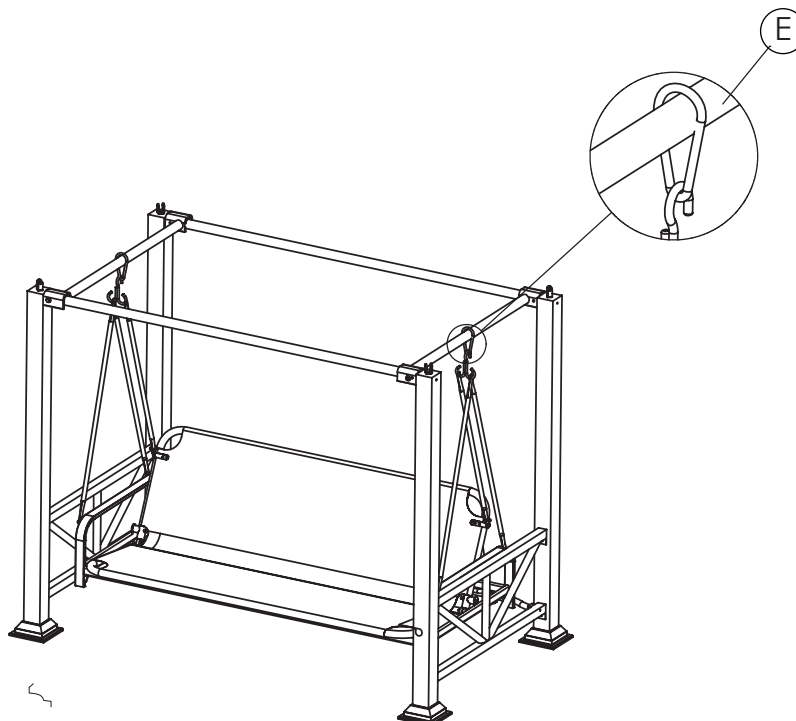


S-Hook



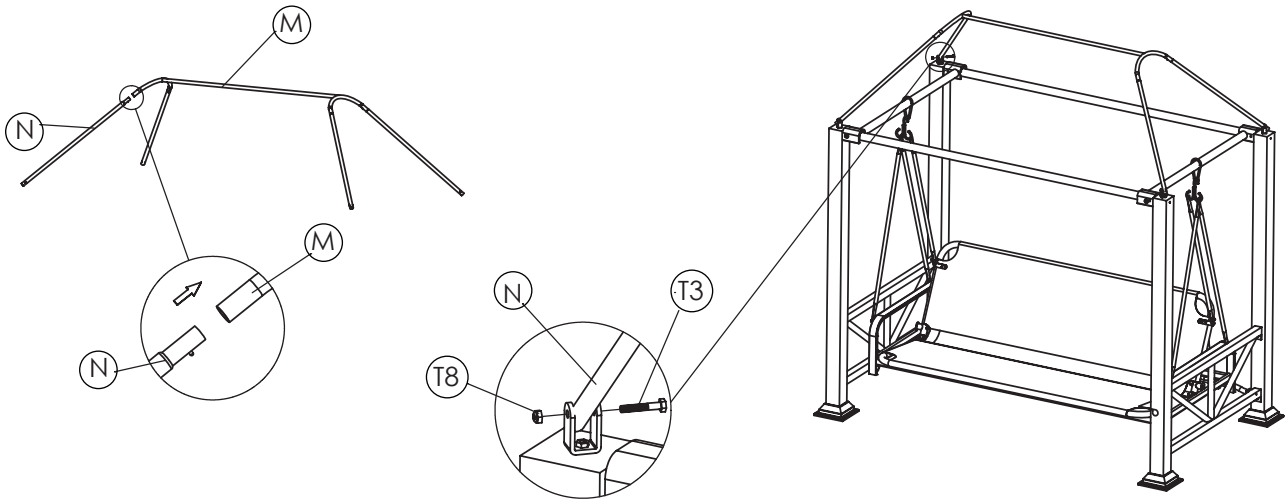
**Note: Long hanging bar should face outside.
Short hanging bar should face inside.**

Step9



DON'T RETURN TO STORE

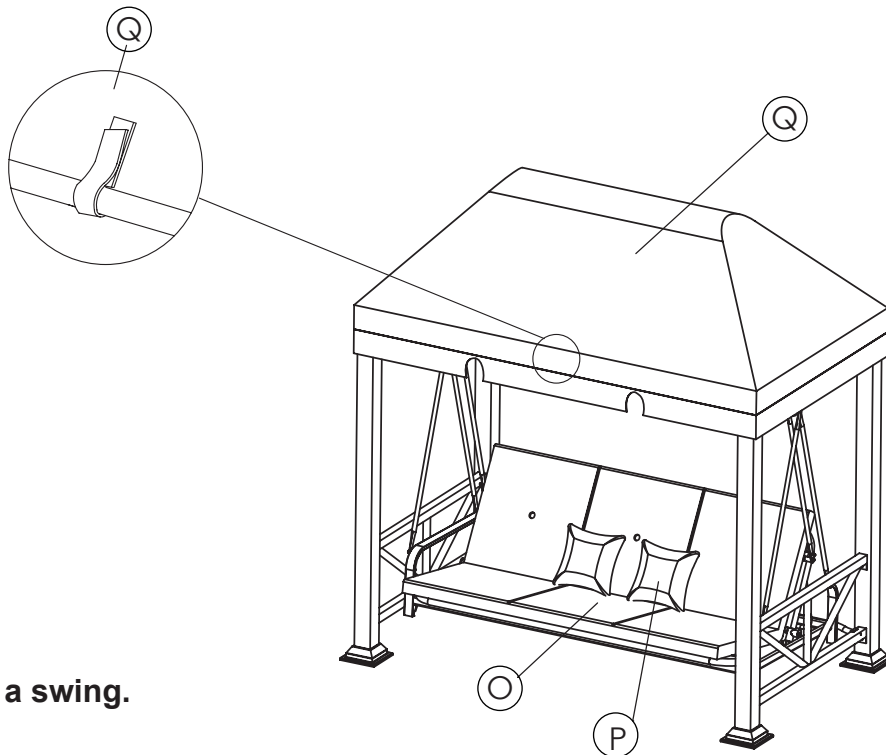
Step10



Please tighten all the bolts and nuts.

Fully check with all the bolts and keep all them tightened at this step.

Step11



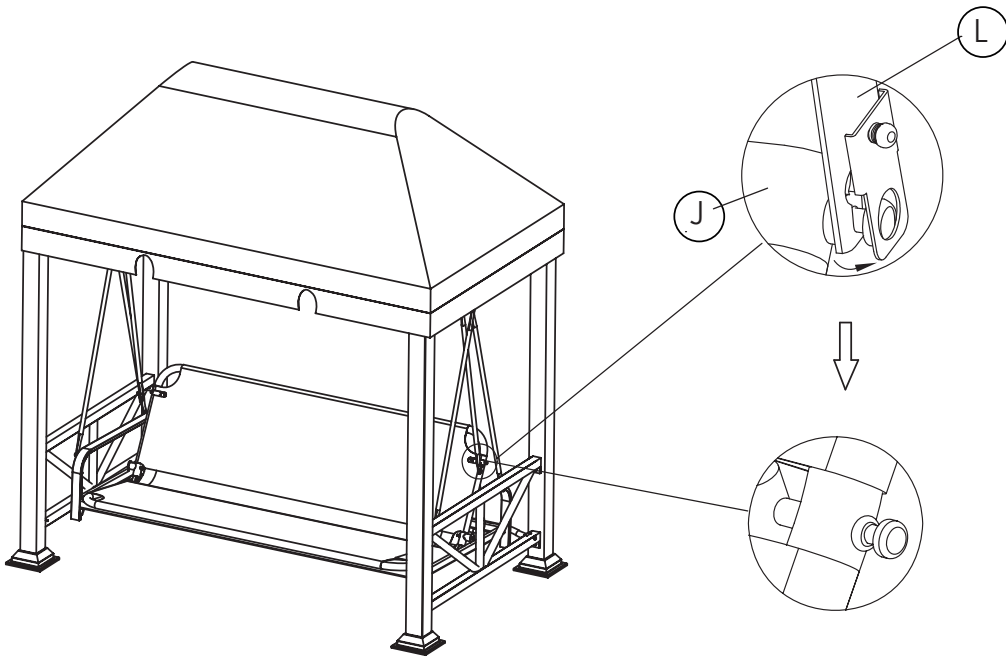
Using as a swing.



DON'T RETURN TO STORE

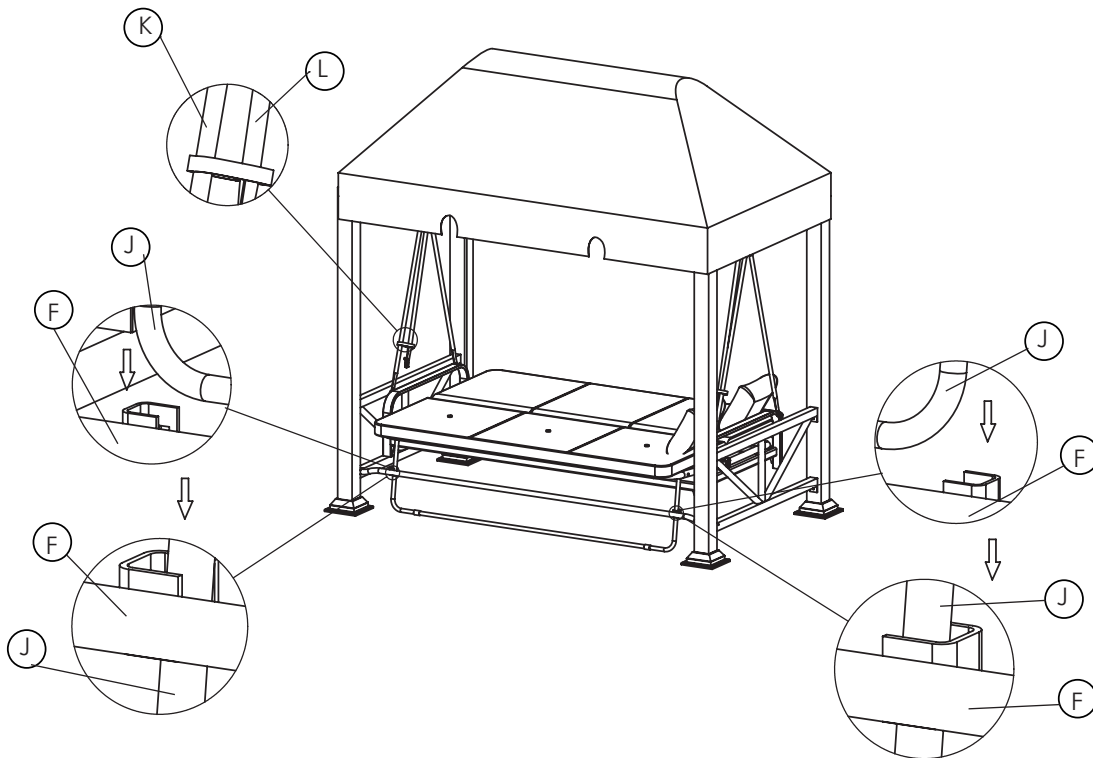
Step12

Converting the swing to a hanging bed.



Removing the cushions.

Taking out the hanging bar L from the pin bolt of the back J .



The supporting bar of the back J should be inserted into the U-shaped brackets at the same time by 2 persons and then fully press it, keeping the bed steady .



DON'T RETURN TO STORE