

**Marquette 3 piece bistro set**  
**ASSEMBLY INSTRUCTIONS**  
**SC-K-401SET3**

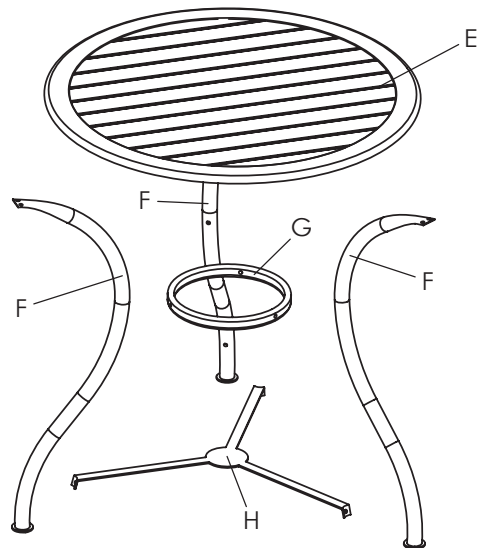
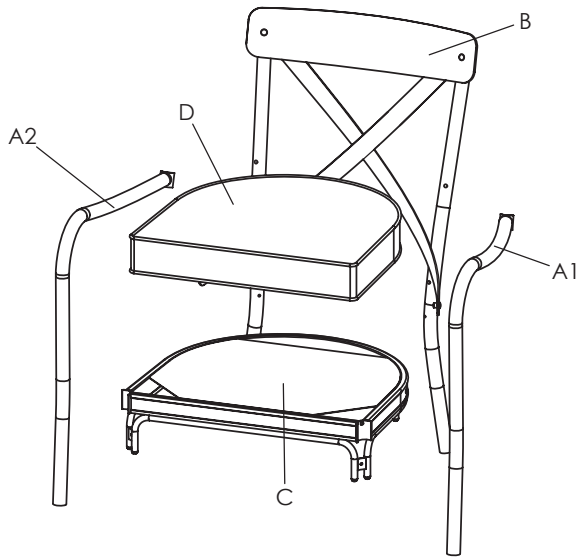


Questions, problems, missing parts with this product? Do not return to your retailer, please call our customer service department 9:00 a.m. to 5:00 p.m. Eastern Standard Time Monday through Friday Phone # 1-800-457-4652 or contact us at [www.numarkcustomerservice.com](http://www.numarkcustomerservice.com)



# Parts

A1	left arm	2
A2	right arm	2
B	chair back	2
C	chair seat	2
D	seat cushion	2
E	table top	1
	(attached with 6pc bolts and 6pc washers)	
F	table leg	3
	(attached with 1pc bolt and 1pc washer for each)	
G	top metal center ring	1
H	bottom metal center ring	1



## Hardware

11 x 4  
Short bolt



12 x 12 + 1 spare  
Medium bolt



13 x 4  
Long bolt



14 x 3  
Screw



15 x 16  
Small metal washer



16 x 4  
Big metal washer



17 x 1  
Allen wrench



# Assembly instruction

**1**

11 x 2  
Short bolt

16 x 2  
Big metal washer

Do not tighten completely.  
Repeat procedure for the other side.

**2**

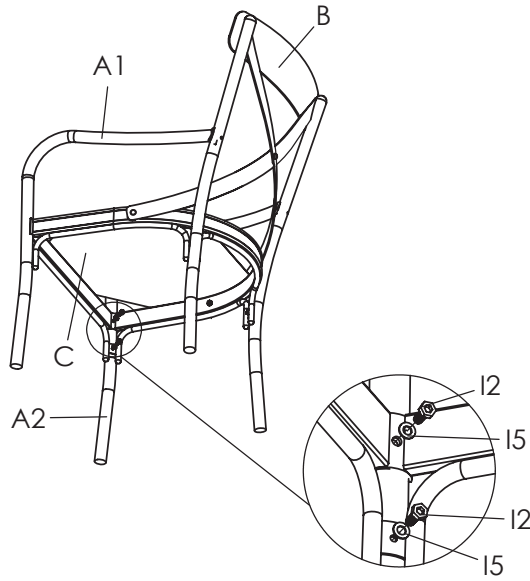
12 x 2  
Medium bolt

15 x 2  
Small metal washer

Do not tighten completely.  
Repeat procedure for the other side.

# Assembly instruction

3



12 x 4

Medium bolt



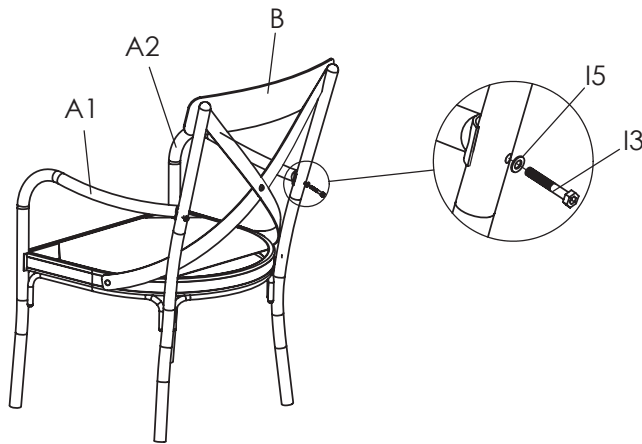
15 x 4

Small metal washer



Do not tighten completely.  
Repeat procedure for the other side.

4



13 x 2

Long bolt



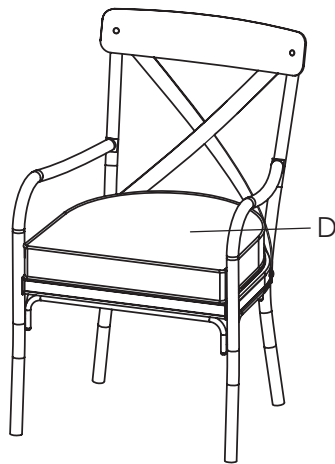
15 x 2

Small metal washer



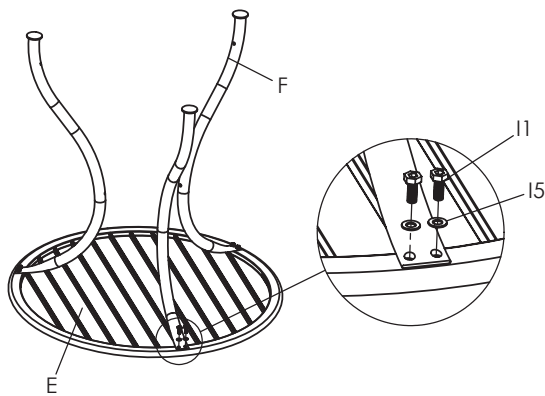
Do not tighten completely.  
Repeat procedure for the other side.

5



Securely tighten all bolts , put the cushion on the chair.  
Repeat procedure for the other chair.

6



11 x 6

Short bolt  
(remove from the tabletop)

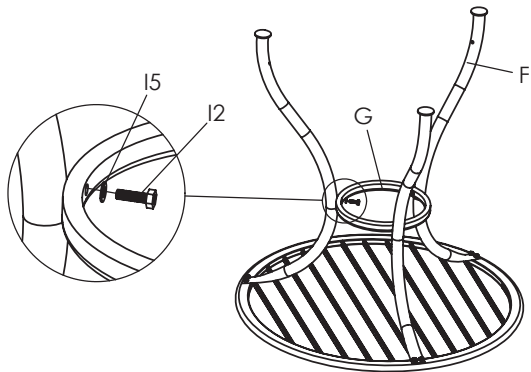


Small metal washer x 6  
(remove from the tabletop)



Do not tighten completely.  
Repeat procedure for the other two legs.

7



12 x 3

Medium bolt  
(remove from the legs)

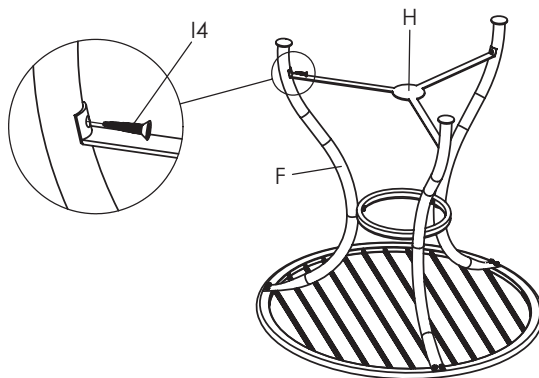


Small metal washer x 3  
(remove from the legs)



Do not tighten completely.  
Repeat procedure for the other two legs.

8

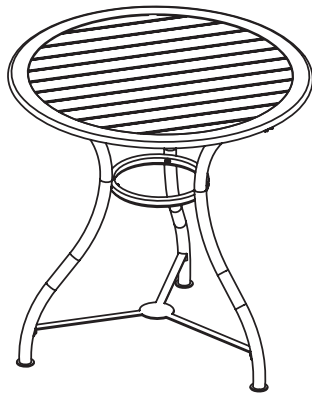


14 x 3  
Screw



Tighten all screws at this step.

9



Tighten all bolts and turn over the table.  
Your bistro set is ready for use!