

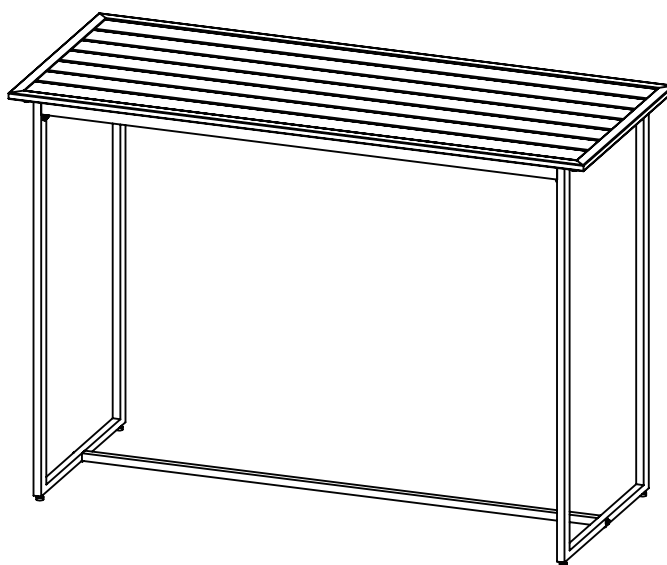
# OWNER'S MANUAL

## GRAMMERCY RECTANGLE BAR TABLE

Vendor Item:SC-K-137BTD25E4

SKU#:124287456

Questions, problems, missing parts with this product? Please contact us at [www.numarkcustomerservice.com](http://www.numarkcustomerservice.com)



### ACCESSORIES

Ea ( 16 + 1 spare)  
M6 x 15L Bolt



Eb (2)  
M6 x 33L Bolt



Ec (18)  
M6 Metal Washer



Ed (1)  
Allen Wrench

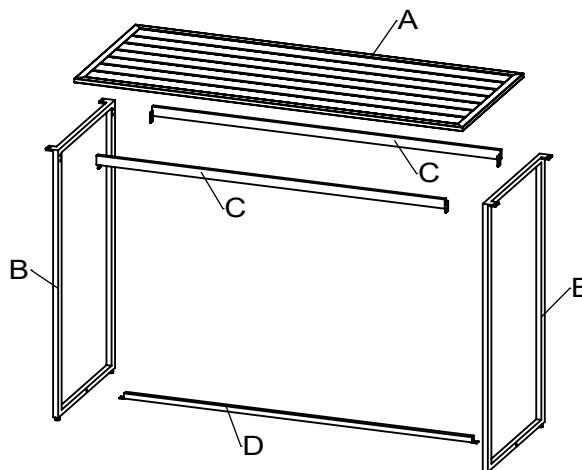


### PARTS

Read through all the instructions before beginning assembly. Unpack and identify all the parts. Place them on a flat, non-abrasive surface. Assembly by two people is recommended.

- Estimated Assembly Time: 20 minutes
- Weight Limit: 100lbs
- DO NOT use power tools. Use only the tools provided.
- Periodically check all hardware and re-tighten as necessary.

ITEM	DESCRIPTION	QUANTITY
A	Table top	1
B	Metal leg	2
C	Crossbar	2
D	Support bar	1

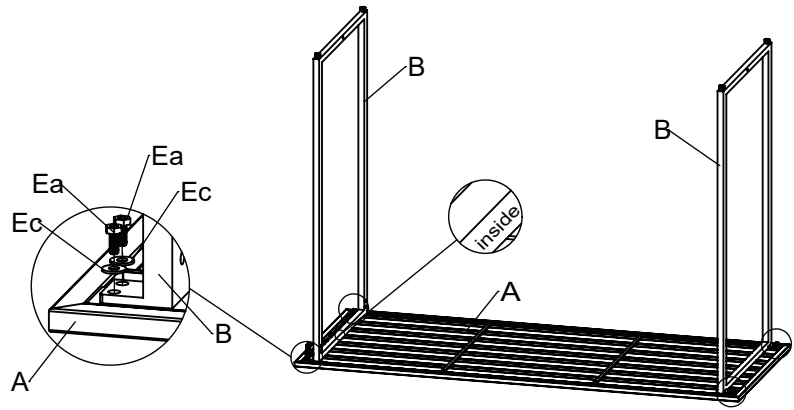


## ASSEMBLY INSTRUCTIONS

- 1** Ea x 8  
M6 x 15L Bolt



- Ec x 8  
M6 Metal Washer

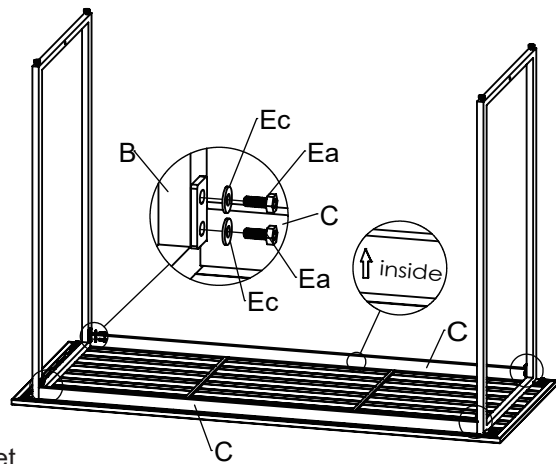


- Don't tighten completely.
- Repeat procedure for the other side and other leg.
- Note: The side with "inside" label towards inside

- 2** Ea x 8  
M6 x 15L Bolt



- Ec x 8  
M6 Metal Washer

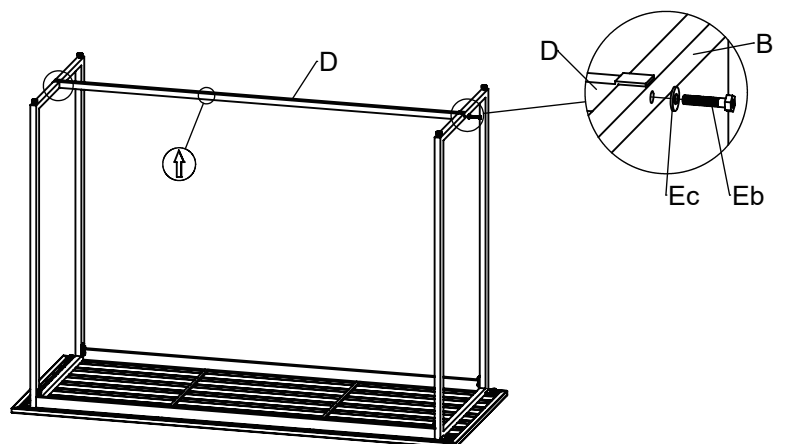


- Don't tighten completely.
- Repeat procedure for the other side and other leg.
- Note: Make sure the arrows "↑" are pointing toward feet and the side with "inside" label towards inside

- 3** Eb x 2  
M6 x 33L Bolt



- Ec x 2  
M6 Metal Washer



- Don't tighten completely.
- Repeat procedure for the other side.
- Note: Make sure the arrows "↑" are pointing toward feet.
- Turn over the table and securely tighten all bolts from all steps.
- Adjust the table top level by twisting the knobs under the leg bottom.
- Your table is now ready for use. Enjoy!