

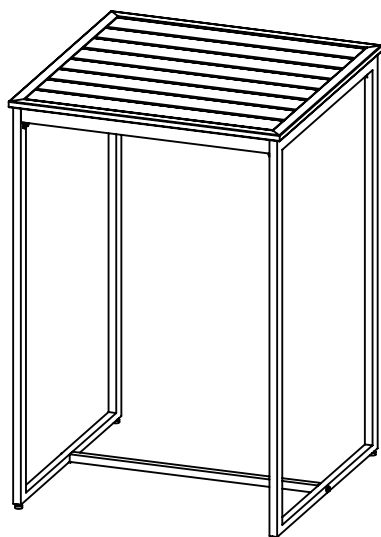
OWNER'S MANUAL

GRAMMERCY SQUARE BAR TABLE

Vendor Item:SC-K-137BCT42

SKU#:124287457

Questions, problems, missing parts with this product? Please contact us at www.numarkcustomerservice.com



ACCESSORIES

Ea (12 + 1 spare)
M6 x 15L Bolt



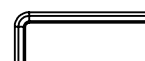
Eb (2)
M6 x 33L Bolt Bolt



Ec (14)
M6 Metal Washer



Ed (1)
Allen wrench

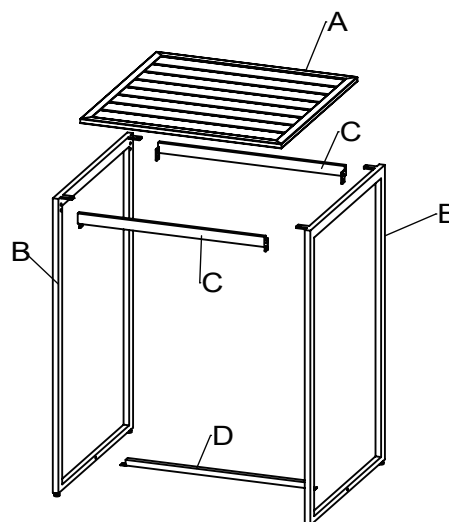


PARTS

Read through all the instructions before beginning assembly. Unpack and identify all the parts. Place them on a flat, non-abrasive surface. Assembly by two people is recommended.

- Estimated Assembly Time: 20 minutes
- Weight Limit: 50lbs
- DO NOT use power tools. Use only the tools provided.
- Periodically check all hardware and re-tighten as necessary.

ITEM	DESCRIPTION	QUANTITY
A	Table top	1
B	Metal leg	2
C	Crossbar	2
D	Support bar	1



ASSEMBLY INSTRUCTIONS

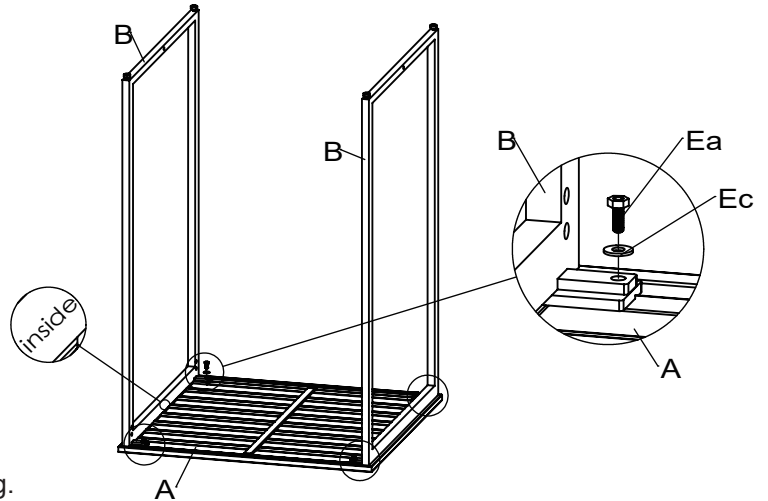
1 Ea x 4
M6 x 15L Bolt



Ec x 4
M6 Metal Washer



- Don't tighten completely.
- Repeat procedure for the other side and other leg.
- Note: The side with "inside" label towards inside



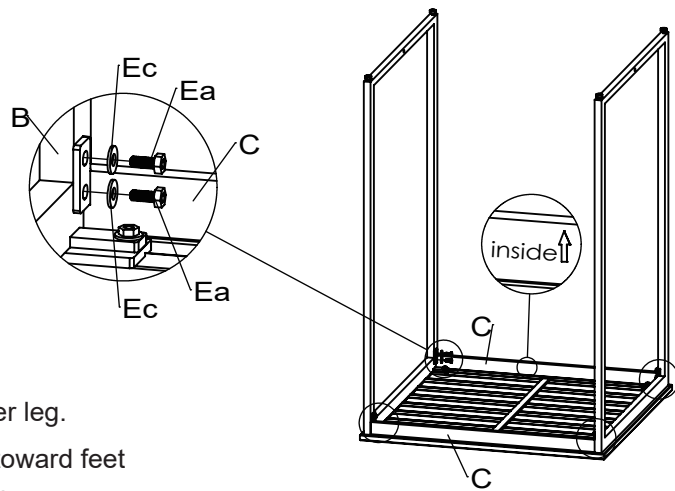
2 Ea x 8
M6 x 15L Bolt



Ec x 8
M6 Metal Washer



- Don't tighten completely.
- Repeat procedure for the other side and other leg.
- Note: Make sure the arrows "↑" are pointing toward feet and the side with "inside" label towards inside



3 Eb x 2
M6 x 33L Bolt



Ec x 2
M6 Metal Washer



- Don't tighten completely.
- Repeat procedure for the other side.
- Note: Make sure the arrows "↑" are pointing toward feet.
- Turn over the table and securely tighten all bolts from all steps.
- Adjust the table top level by twisting the knobs under the leg bottom.
- Your table is now ready for use. Enjoy!

