

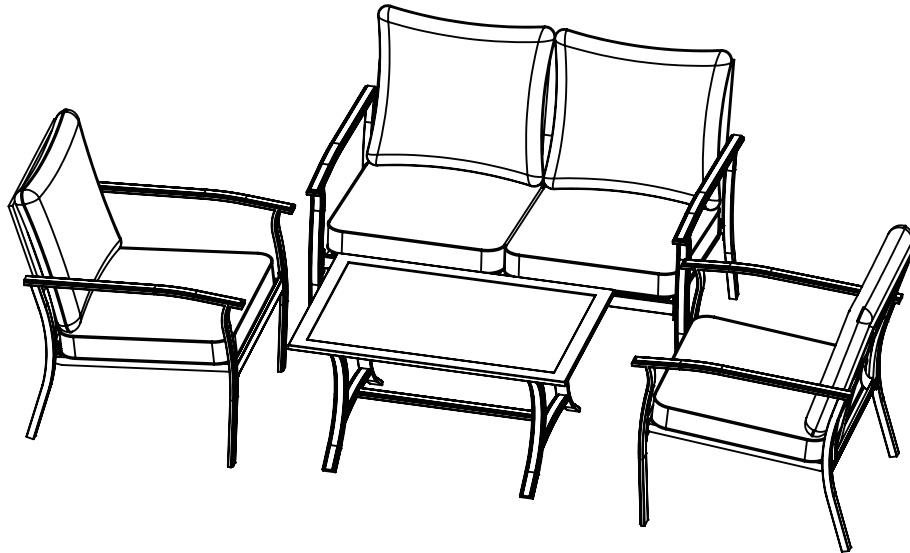
OWNER'S MANUAL

LEXINGTON 4 PC SET

Vendor Item:SC-I-139NSF/4

SKU#:124287455

Questions, problems, missing parts with this product? Please contact us at www.numarkcustomerservice.com



ACCESSORIES

Ka (25 +1 spare)
Short Bolt



Kb (6)
Long Bolt



Kc (31)
Metal Washer



Kd (1)
Allen Wrench

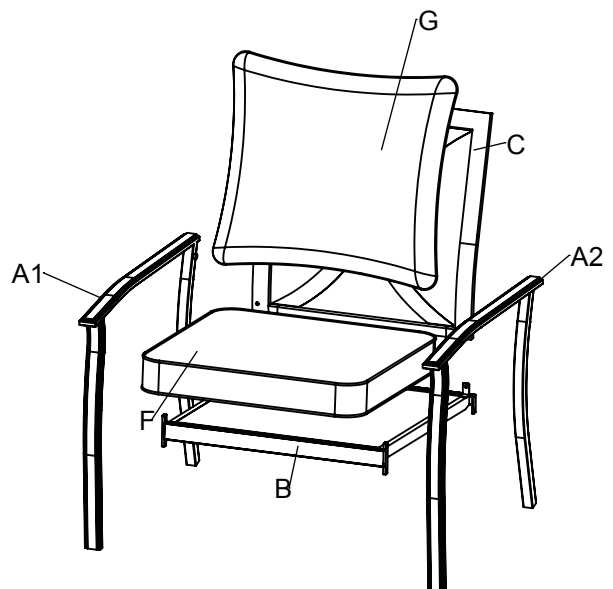


PARTS

Read through all the instructions before beginning assembly. Unpack and identify all the parts. Place them on a flat, non-abrasive surface. Assembly by two people is recommended.

Estimated Assembly Time: 40 minutes

ITEM	DESCRIPTION	QUANTITY
A1	Right Arm	2
A2	Left Arm	2
B	Chair Seat	2
C	Chair Back	2
F	Seat Cushion	2
G	Back Cushion	2



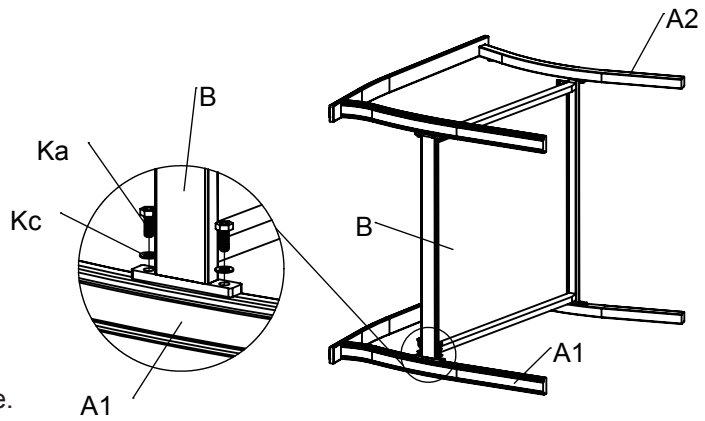
ASSEMBLY INSTRUCTIONS

1

Ka x 4
Short Bolt



Kc x 4
Metal Washer



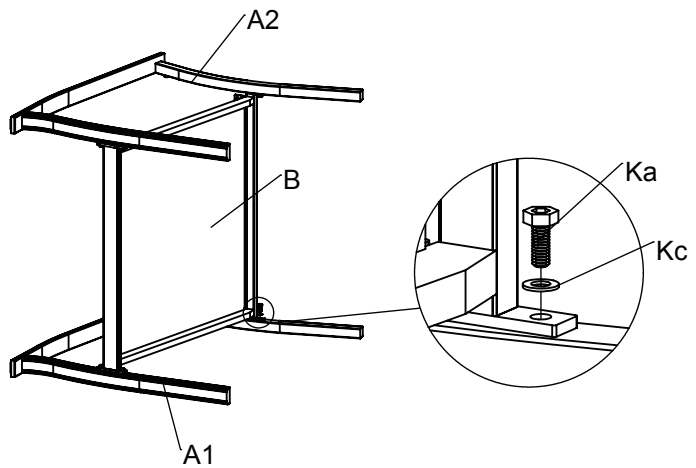
- Repeat procedure for the other side.

2

Ka x 2
Short Bolt



Kc x 2
Metal Washer



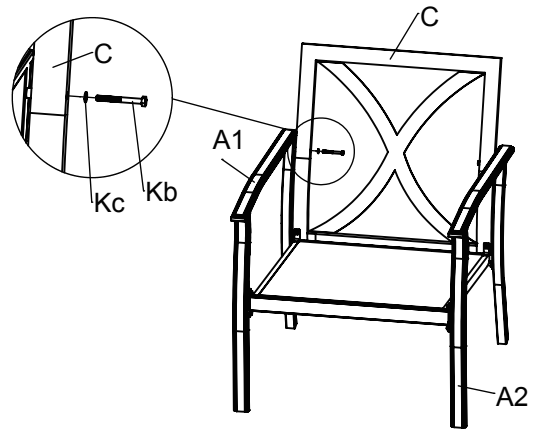
- Repeat procedure for the other side.

3

Kb x 2
Long Bolt



Kc x 2
Metal Washer



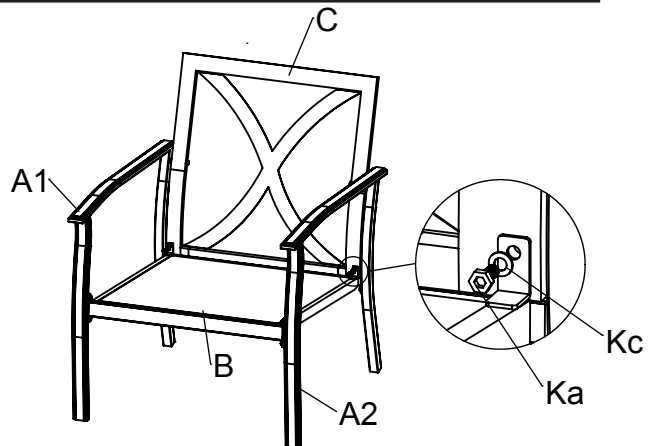
- Repeat procedure for the other side.

4

Ka x 2
Short Bolt



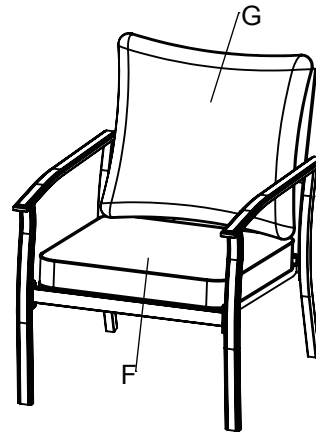
Kc x 2
Metal Washer



- Repeat procedure for the other side.
- Securely tighten all bolts.

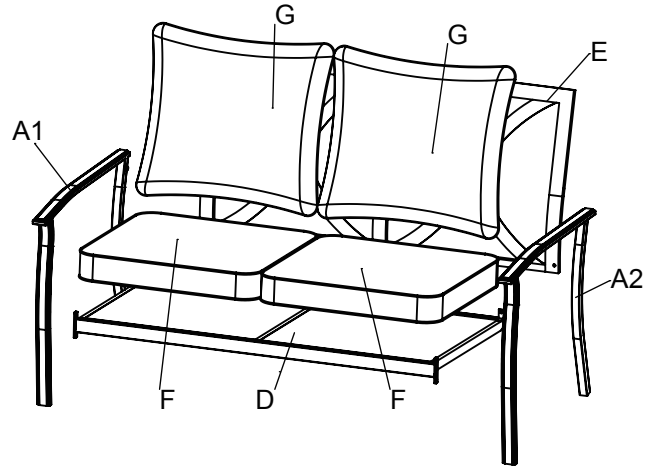
ASSEMBLY INSTRUCTIONS

5



- Putting cushions onto the chair frame
- Repeat procedure for the other chair.

ITEM	DESCRIPTION	QUANTITY
A1	Right Arm	1
A2	Left Arm	1
D	Loveseat Seat	1
E	Loveseat Back	1
F	Seat Cushion	2
G	Back Cushion	2

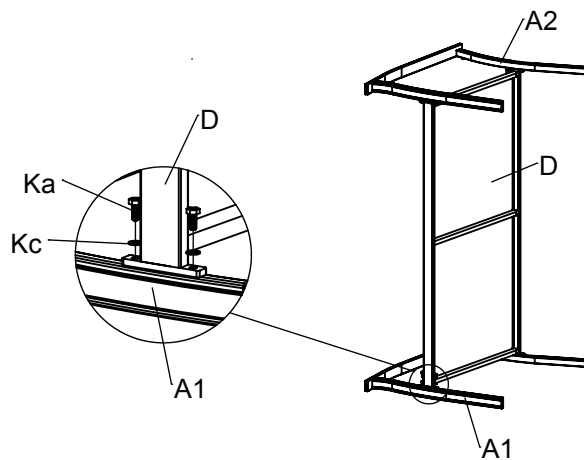


1

Ka x 4
Short Bolt



Kc x 4
Metal Washer



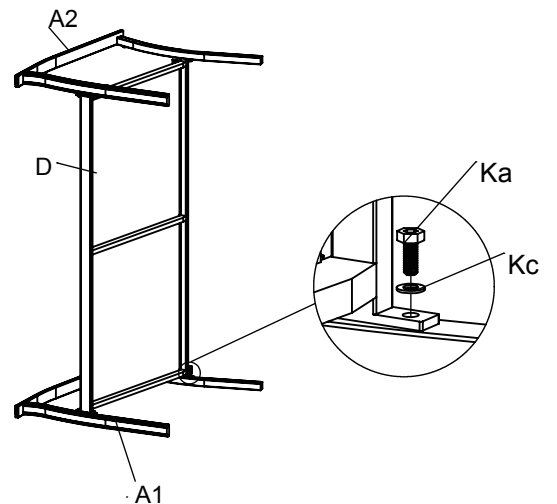
- Repeat procedure for the other side.

2

Ka x 2
Short Bolt



Kc x 2
Metal Washer

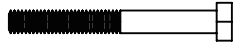


- Repeat procedure for the other side.

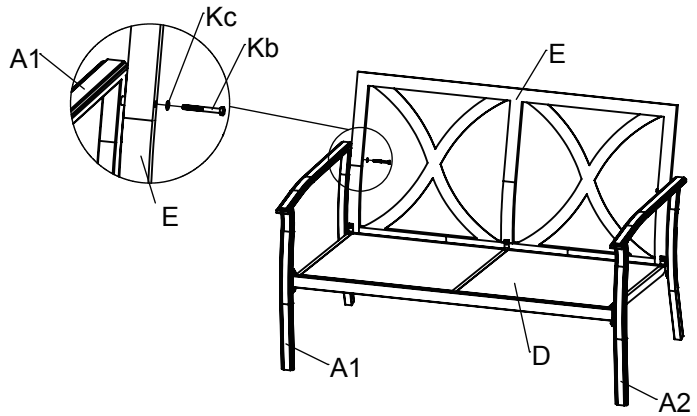
ASSEMBLY INSTRUCTIONS

3

Kb x 2
Long Bolt



Kc x 2
Metal Washer



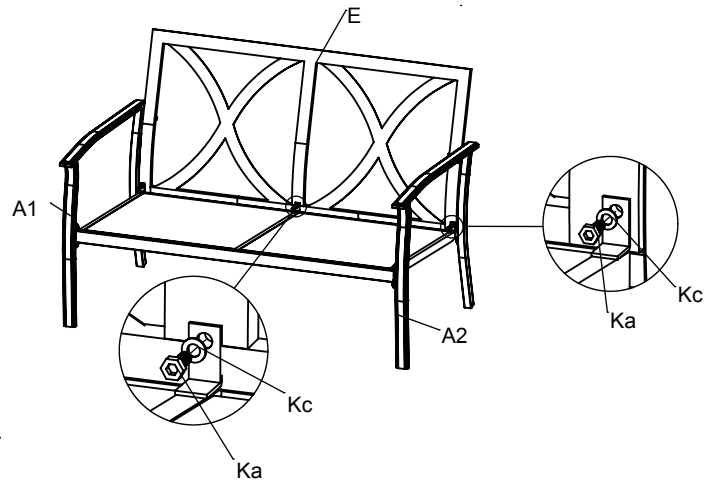
- Repeat procedure for the other side.

4

Ka x 3
Short Bolt

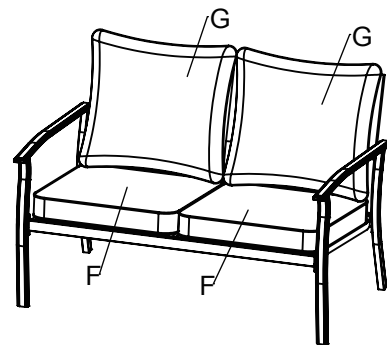


Kc x 3
Metal Washer



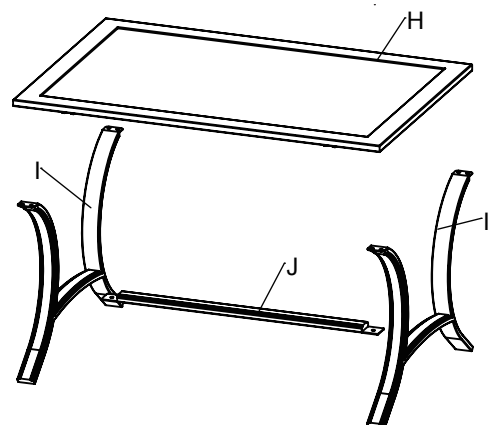
- Repeat procedure for the other side.
- Securely tighten all bolts.

5



- Putting cushions onto the loveseat frame

ITEM	DESCRIPTION	QUANTITY
H	Tempered Glass Tabletop (8 Bolts and 8 Metal Washers Attached)	1
I	Metal Leg (1 Bolt and 1 Metal Washer Attached for each)	2
J	Connection Bar	1

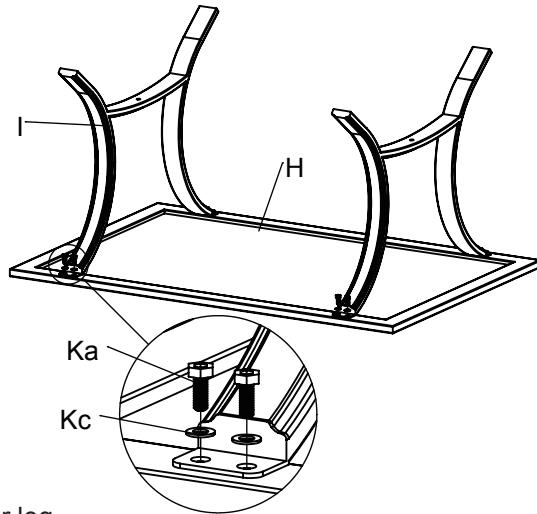


ASSEMBLY INSTRUCTIONS

1 Ka x 8
Short Bolt
(remove from the table top)

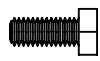


Kc x 8
Metal Washer
(remove from the table top)

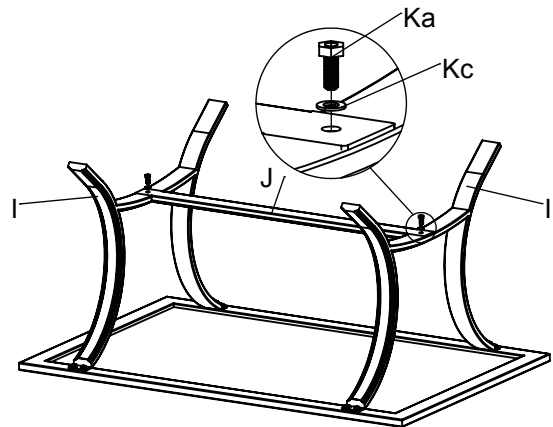


- Repeat procedure for the other side and the other leg.

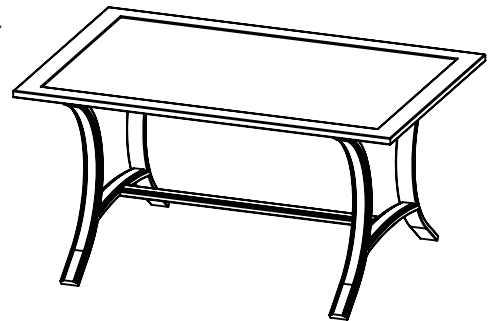
2 Ka x 2
Short Bolt
(remove from the metal leg)



Kc x 2
Metal Washer
(remove from the metal leg)



- Repeat procedure for the other side.
- Turn the table over and securely tighten all bolts diagonally.
- Your seating set is now ready for use.



Printed in China