

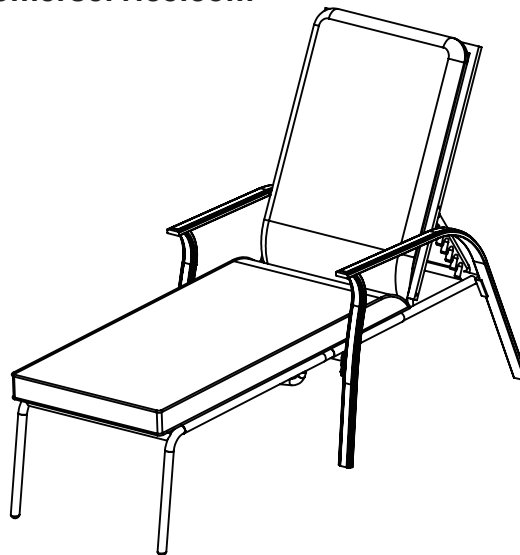
Single Harrington Cushion Chaise Lounge

ASSEMBLY INSTRUCTIONS

SC-I-139NL

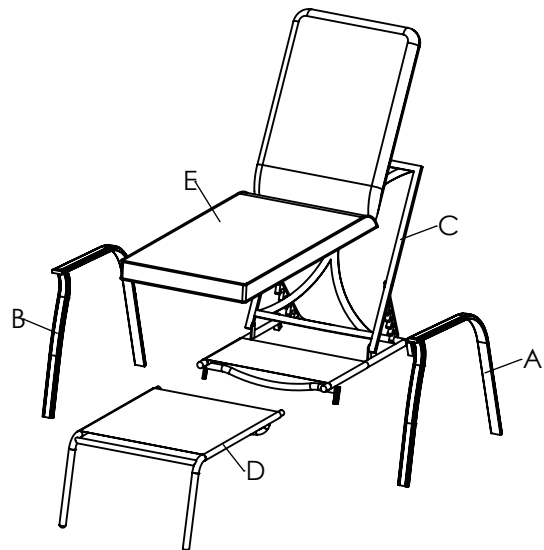


Questions, problems, missing parts with this product? Please contact us at www.numarkcustomerservice.com



Parts

A	Left Arm	1
B	Right Arm	1
C	Rear Seat and Back	1
D	Front Seat	1
E	Cushion	1



Hardware

Fa x 8 +1 spare

Bolt



Fb x 8

Metal Washer



Fc x 1

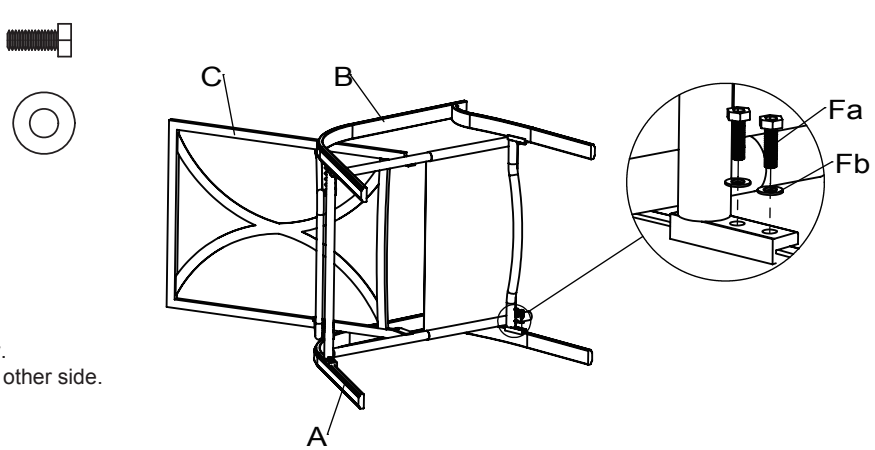
Allen Wrench



Assembly instruction

1 Fa x 4
Bolt

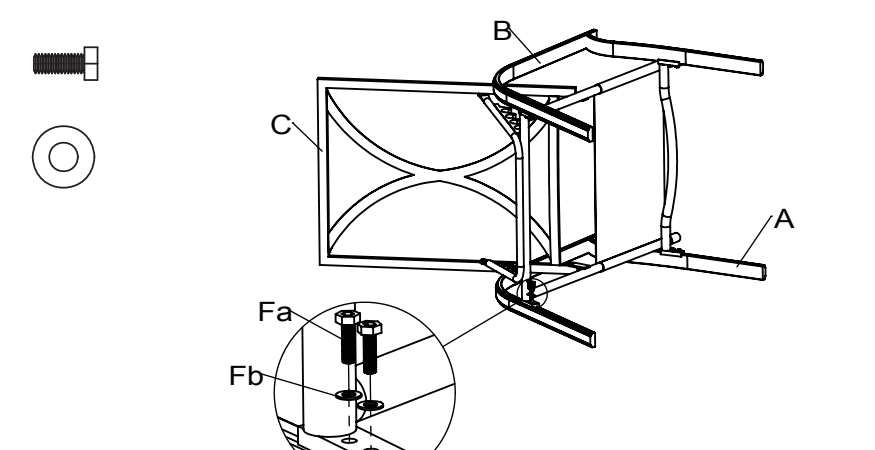
Fb x 4
Metal Washer



Do not tighten completely.
Repeat procedure for the other side.

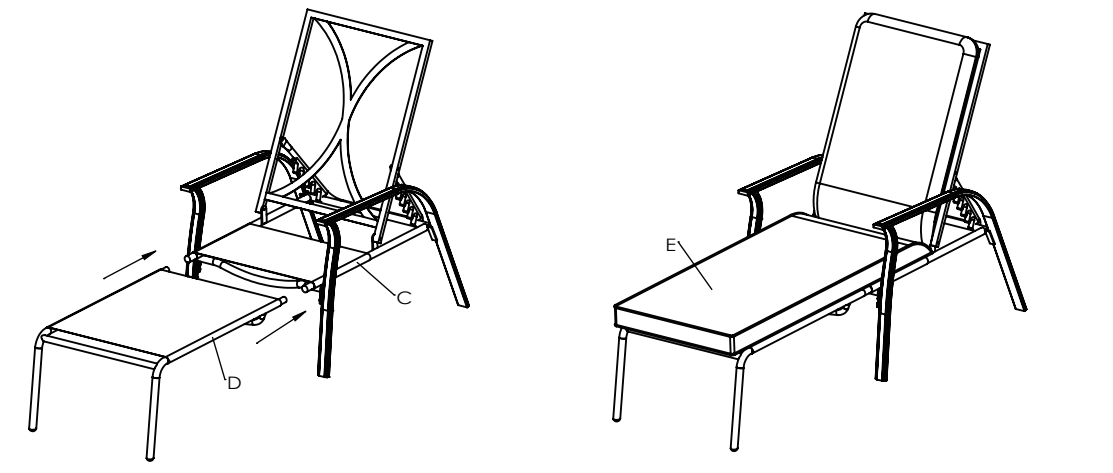
2 Fa x 4
Bolt

Fb x 4
Metal Washer



Don't tighten completely.
Repeat procedure for other side.

3



Once all bolts are in place, go back and tighten all bolts by using Allen wrench (Fc).
Attaching the front seat to the rear seat and back and then putting the cushion on the lounge.
Your lounge is now ready for use.