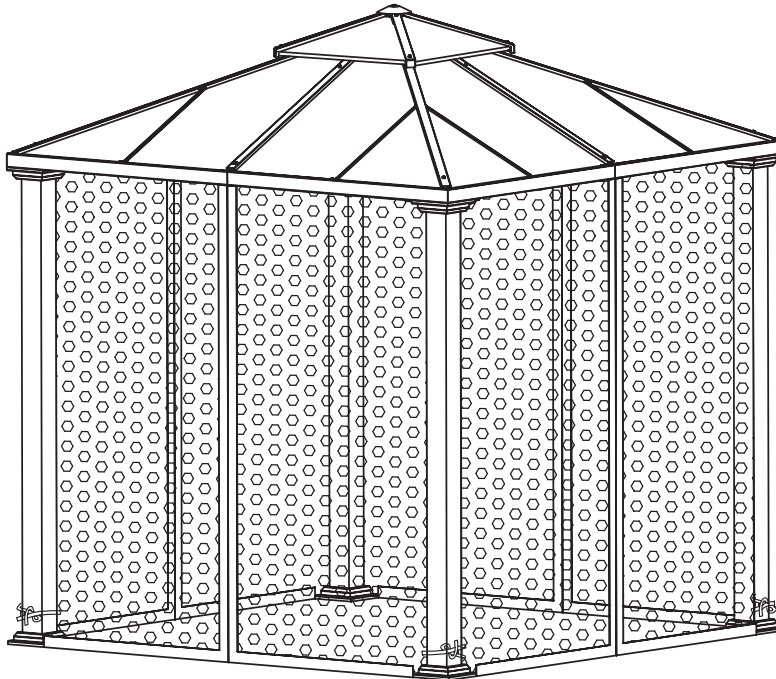


**BHG Sullivan Ridge 8' x 8' hard top gazebo,**  
**steel without E-coat**  
**ASSEMBLY INSTRUCTIONS**  
**ITEM# BH14-093-099-11**

**ATTENTION: THIS PRODUCT IS NOT FOR COMMERCIAL USE**

**INTENDED FOR RESIDENTIAL USE ONLY.**

Questions, problems, missing parts with this product? Do not return to your retailer, please call our customer service department 9:00 a.m. to 5:00 p.m. Eastern Standard Time Monday through Friday Phone # 1-800-457-4652 or contact us at [www.numarkcustomerservice.com](http://www.numarkcustomerservice.com)



**DON'T RETURN TO STORE**

## **WARNINGS AND CAUTIONS**

---

- \* It is essential to place the gazebo on level ground and not less than 6 feet from any obstruction such as fences, garages, the house, overhanging branches, laundry lines, or electrical wires.
- \* Assembly by at least eight adults is recommended.
- \* Oil all metallic moving parts during usage season.
- \* Always remove the canopy in heavy wind conditions, otherwise the canopy may tip over and may cause damage to its parts.
- \* The user of this gazebo should always inspect it before each use.
- \* Do not discard any of the packaging until you have checked that you have all the parts and pack of fittings.
- \* Keep children away during assembly. This item contains small parts which can be swallowed by children. Children should always be under direct adult supervision while using the product.
- \* The manufacturer will not accept responsibly for unauthorized repair of modifications to the gazebo.
- \* Retain the assembly instructions for future reference.
- \* Estimated Assembly Time: 120 minutes - 6 persons.
- \* **Keep all flame and heat sources away from canopy fabric.**  
The canopy is made with flame-resistant fabric which meets CPAI-84 specifications. It is not fireproof. The canopy fabric will burn if left in continuous contact with flame source. The application of any foreign substance to the canopy fabric may render the flame-resistant properties ineffective.

## **CLEANING AND MAINTENANCE**





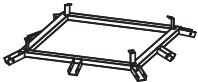


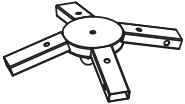




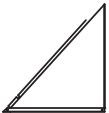
---

- \* Wash frame parts and fabric with mild soap and water, rinse thoroughly. Dry frame completely and allow the fabric to drip dry.
- \* Do not use bleach, acid, or other solvents on the fabric or frame parts.
- \* Please inspect and tighten all bolts or fasteners on a regular basis to ensure proper performance and safety of your gazebo.



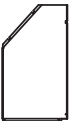





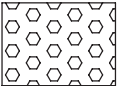



**DON'T RETURN TO STORE**

Remove all components from the polybag and unwrap all package materials. Please count the components, there are:

NO.	Part	Description	Quantity
A1		Top Beam	4
A2		Top Beam	4
B		Short Canopy Frame Bar	4
C		Long Canopy Frame Bar	4
D		Connection Ring	1
E1		Connection Bar	4
E2		Connection Bar	4
F		Canopy Frame Top Center Piece	1
G		Small Canopy Frame Connection bar	4
H		Small canopy cover slat	4
I		Small Upper Roof Cover	4
J		Bowl-shaped Cover	1
K1		Large Upper Roof Cover	4

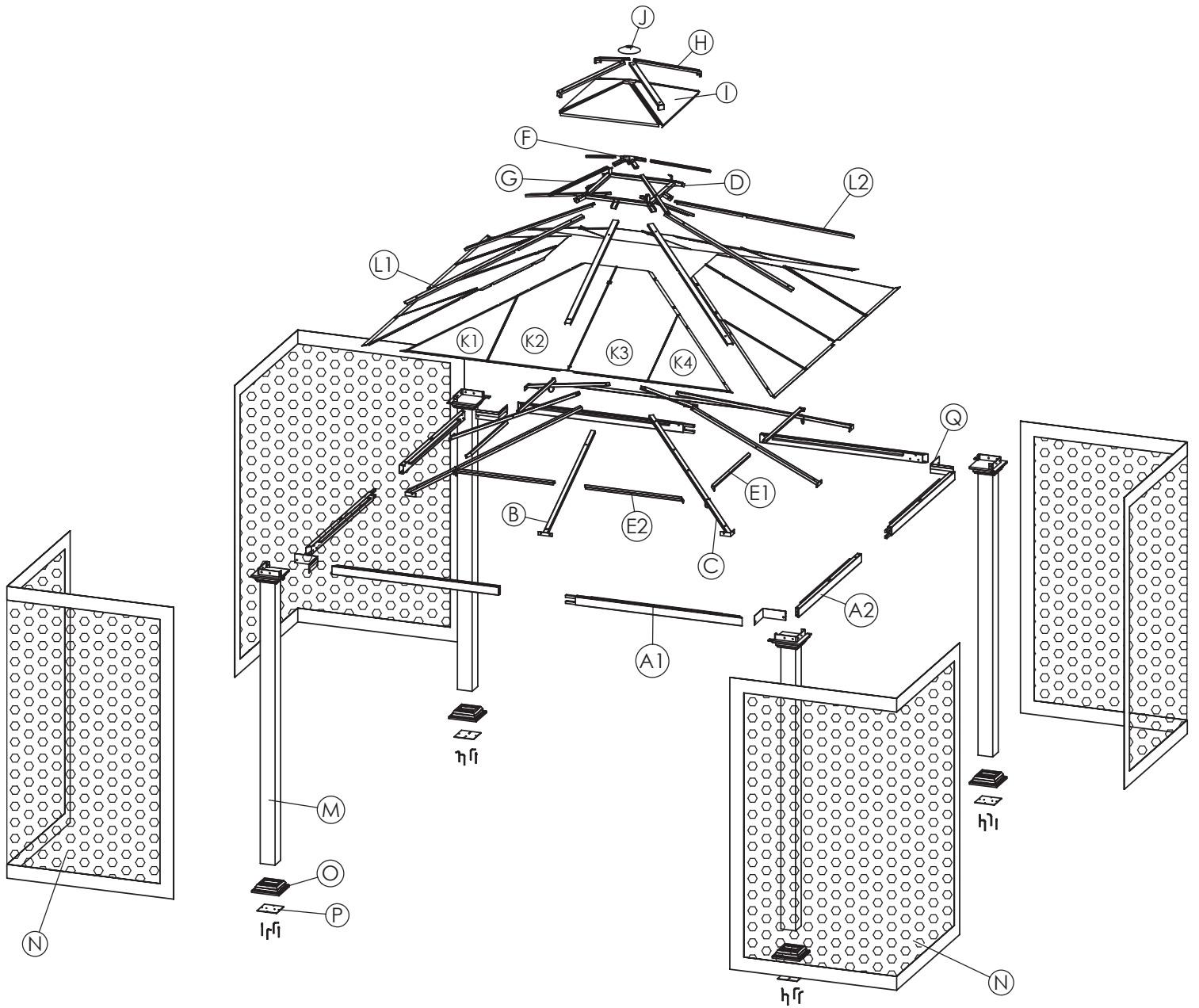


**DON'T RETURN TO STORE**

NO.	Part	Description	Quantity
K2		Large Upper Roof Cover	4
K3		Large Upper Roof Cover	4
K4		Large Upper Roof Cover	4
L1		Short Beam Cover	4
L2		Long Beam Cover	4
M		Leg Post	4
N		Net	1
O		Base Plate	4
P		Leg Post Top Plate	4
Q		L-shaped Steel Plate	4





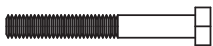
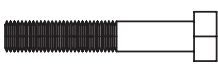

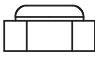


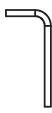


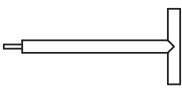

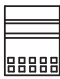


**DON'T RETURN TO STORE**



**DON'T RETURN TO STORE**

# ACCESSERY

NO.	Part	Description	Quantity
R1		M6x15L Bolt	76+2 Spare
R2		M6x20L Bolt	24+1 Spare
R3		M6x30L Bolt	8+1 Spare
R4		M6x36L Bolt	20+1 Spare
R5		M6x50L Bolt	12+1 Spare
R6		M8x45L Bolt	1
R7		Small Metal Washer	144
R8		M6 Nut	12+1 Spare
R9		M6x12 Countersink Screw	8+1 Spare
R10		Lock Washer	8+1 Spare
R11		Lawn Stake	16
R12		Allen Wrench	2
R13		Open Hex Wrench	2
R14		Long Allen Wrench	1
R15		M6 Large Metal Washer	8
R16		Assembly Instruction Sheet	1



**DON'T RETURN TO STORE**

# Step 1

R1 x 12

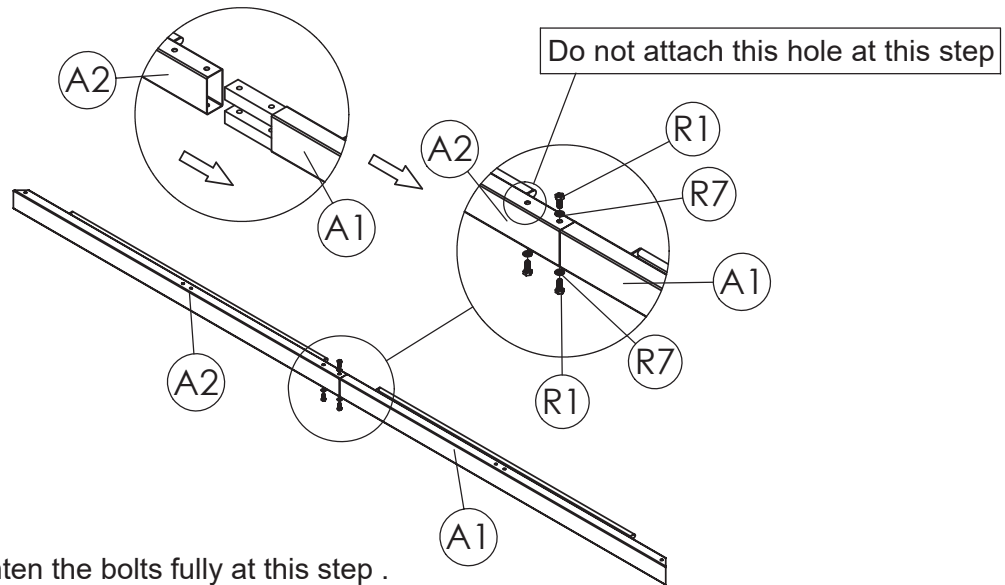


M6x15L Bolt

R7 x 12



M6 Small Metal Washer



Please don't tighten the bolts fully at this step .

---

# Step 2

R1 x 4

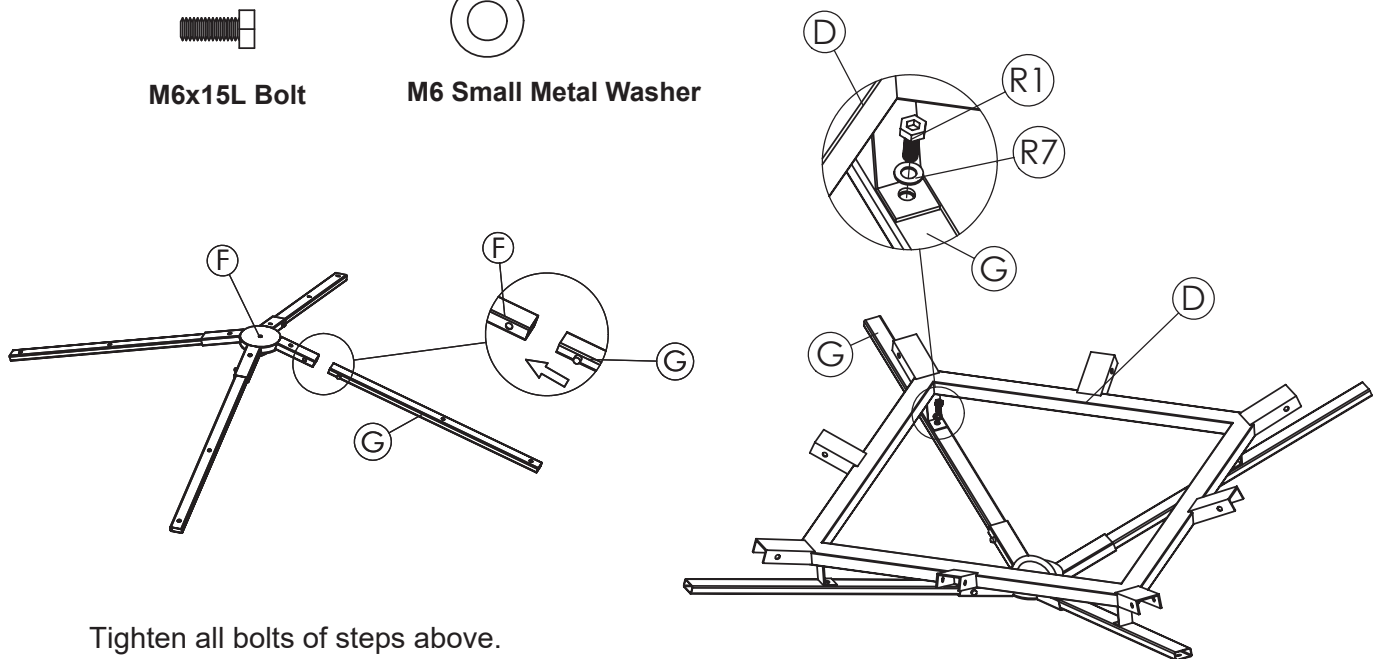


M6x15L Bolt

R7 x 4



M6 Small Metal Washer


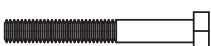




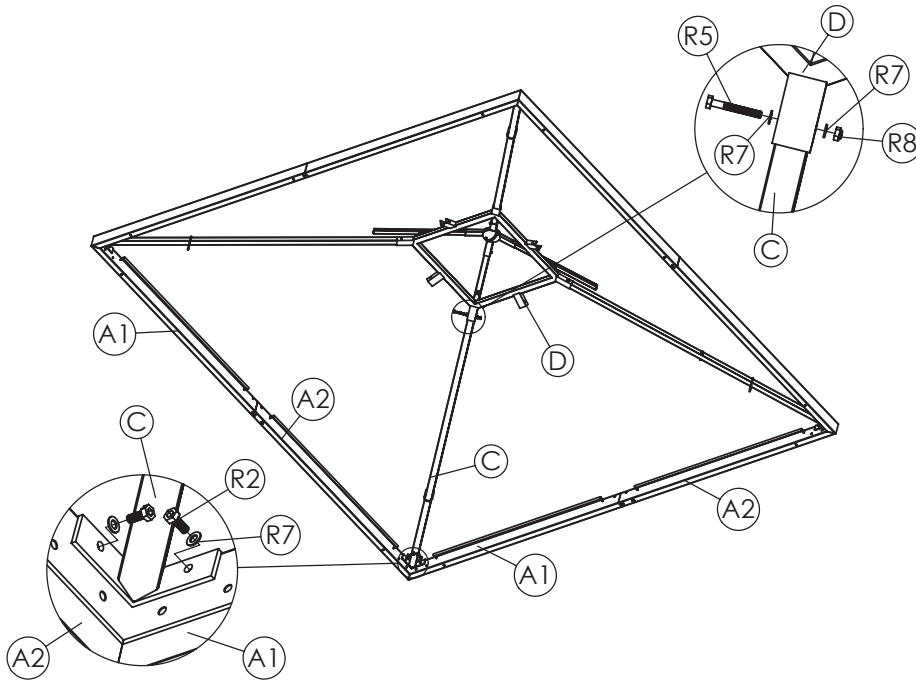
Tighten all bolts of steps above.



**DON'T RETURN TO STORE**





### Step 3

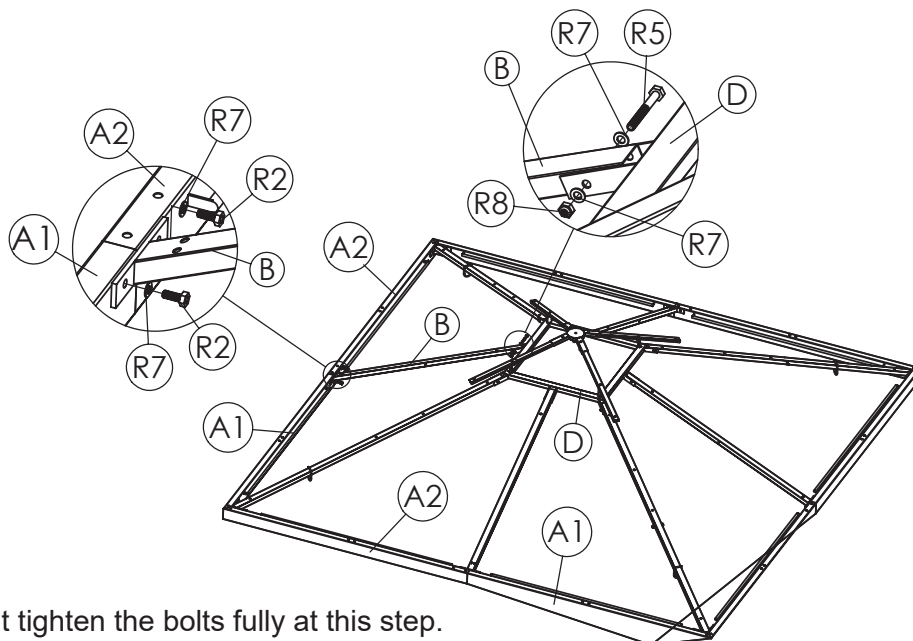
- |   |   |   |   |
|---|---|---|---|
| R2 x 8  | R5 x 4  | R7 x 16   | R8 x 4  |
|  |  |  |  |
| M6x20L Bolt   | M6x50L Bolt   | M6 Small Metal Washer   | M6 Nut  |



Please don't tighten the bolts fully at this step.

### Step 4

- |   |   |   |   |
|---|---|---|---|
| R2 x 8  | R5 x 4  | R7 x 16   | R8 x 4  |
|  |  |  |  |
| M6x20L Bolt   | M6x50L Bolt   | M6 Small Metal Washer   | M6 Nut  |

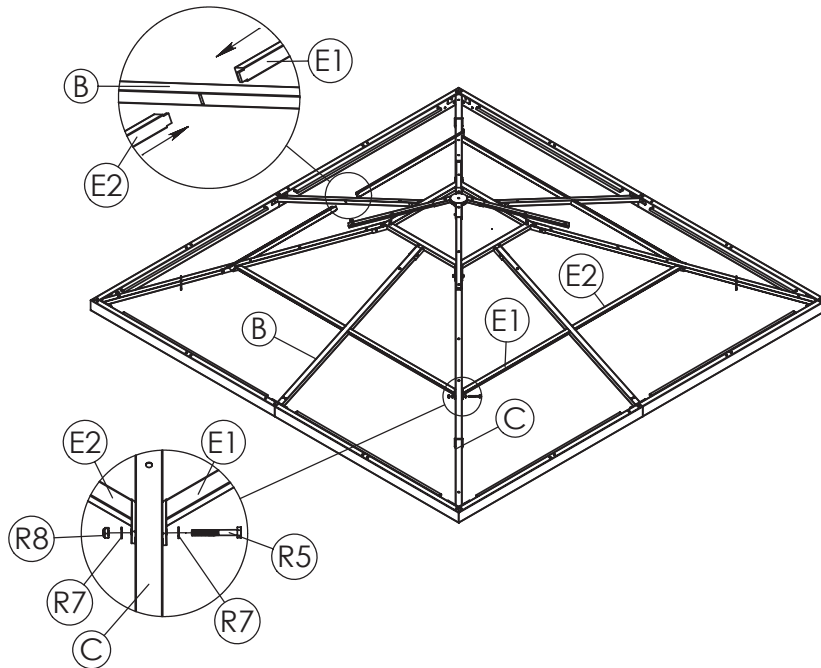
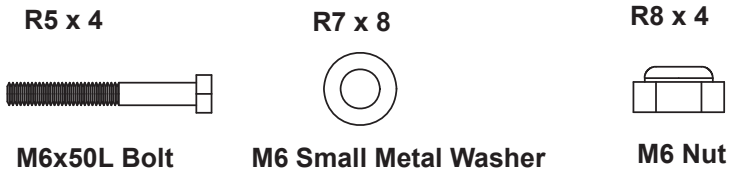


Please don't tighten the bolts fully at this step.

**STOP** DON'T RETURN TO STORE

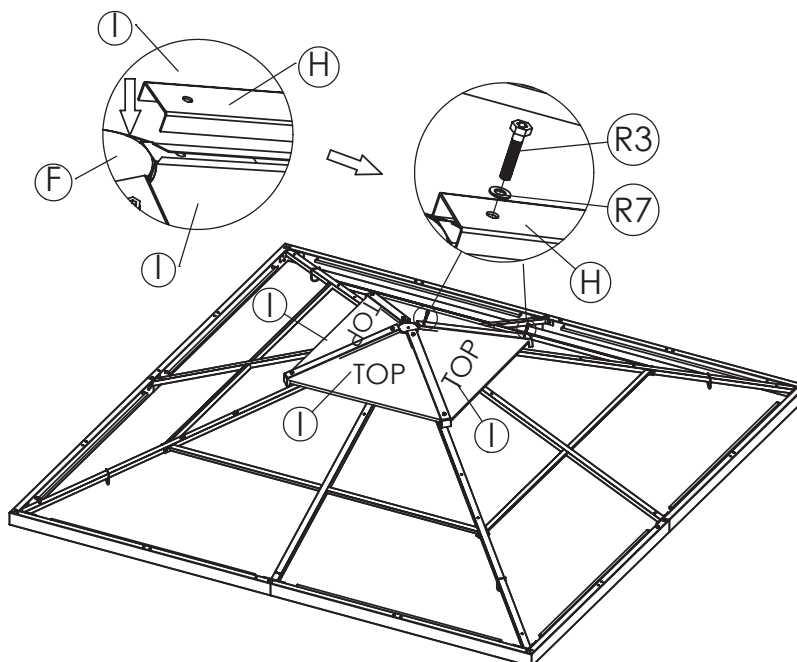
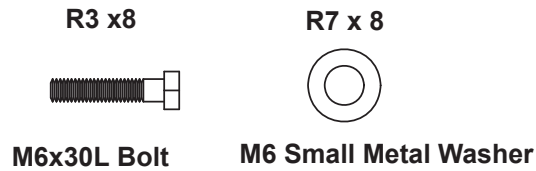


# Step 5



Insert to connecting bar (E1,E2) to the opening of the short canopy frame bar (B).  
Tighten all bolts of steps above.

# Step 6

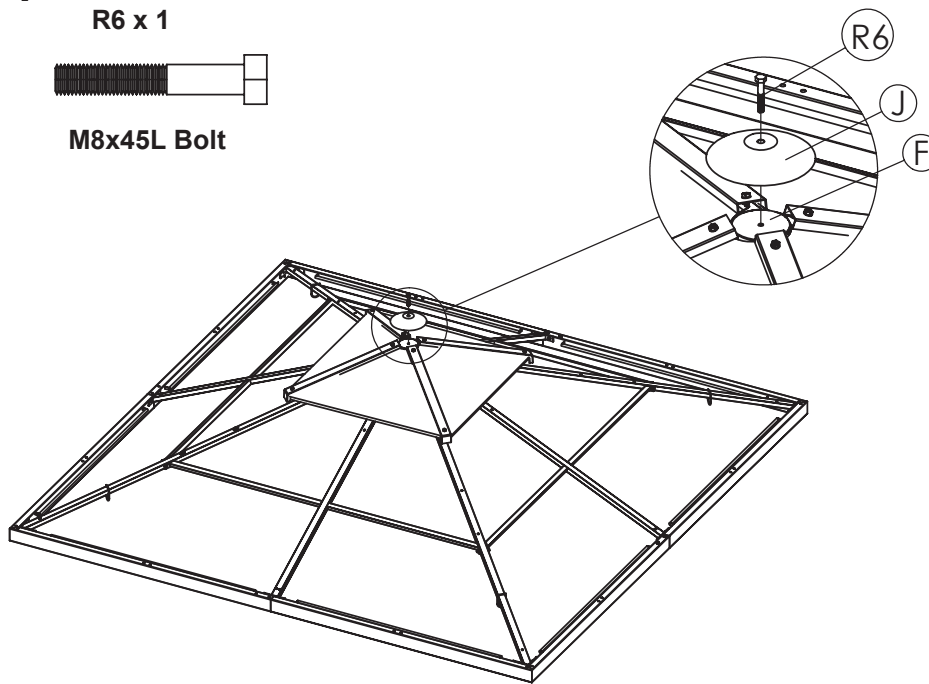


Tighten all bolts of this step. NOTE: Top label facing upside



**DON'T RETURN TO STORE**

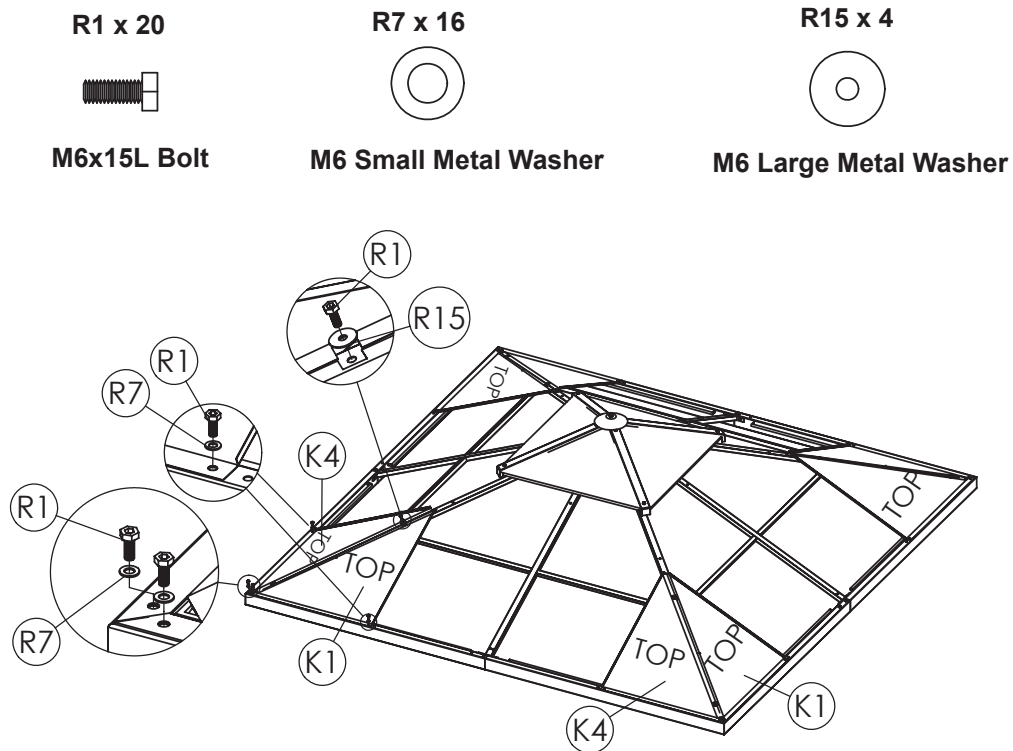
## Step 7



Tighten the bolt of this step.

---

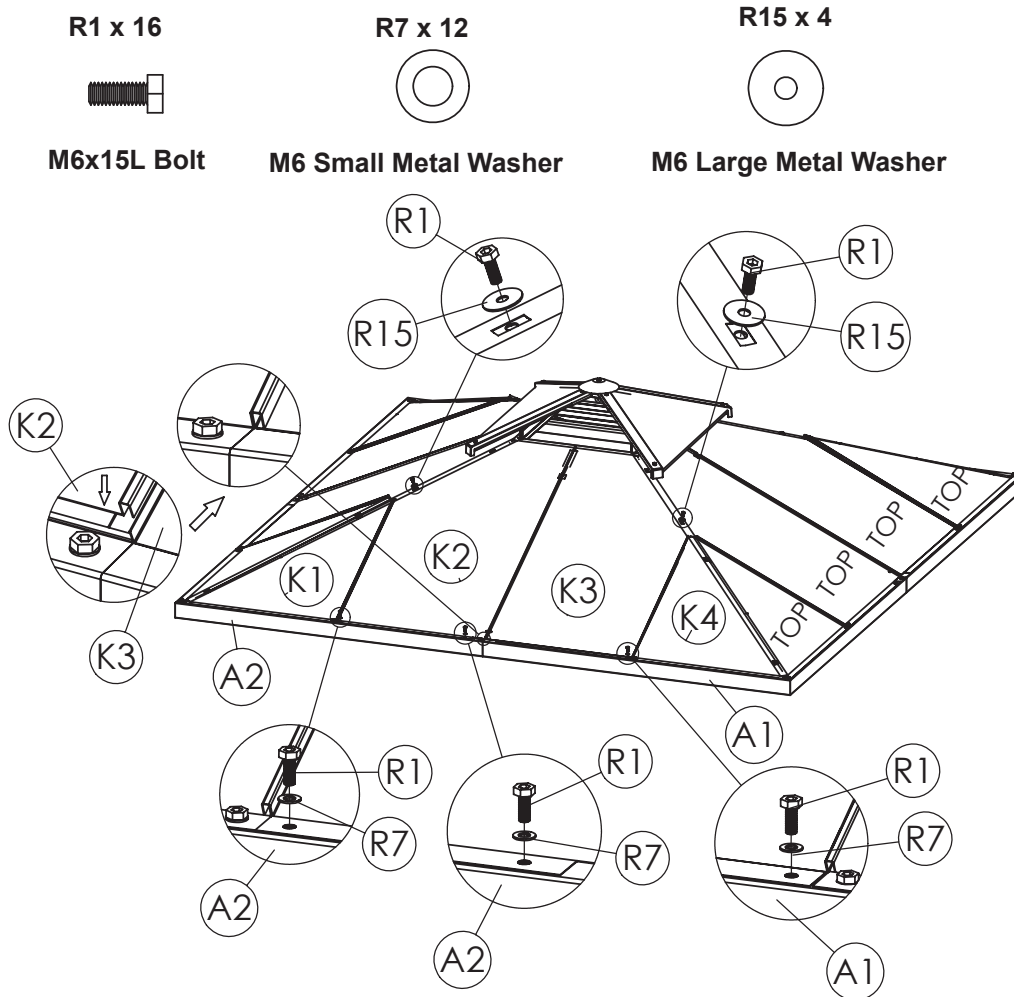
## Step 8



Please don't tighten the bolts at this step. Note: Top label facing upside.

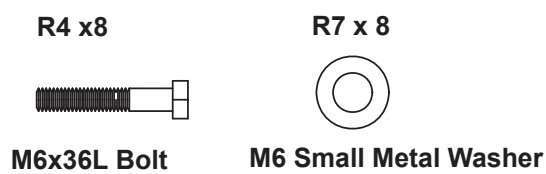
**STOP** DON'T RETURN TO STORE

## Step 9



Tighten all bolts of this step. Note: Top label facing upside.

## Step 10



Please don't tighten the bolts fully at this step.



**DON'T RETURN TO STORE**

# Step 11

R4 x 12

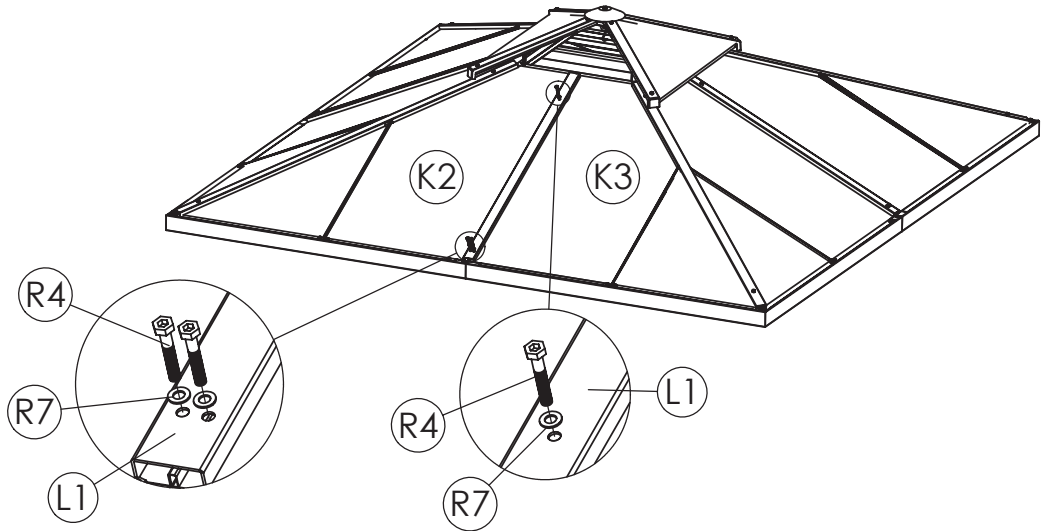


M6x36L Bolt

R7 x 12



M6 Small Metal Washer



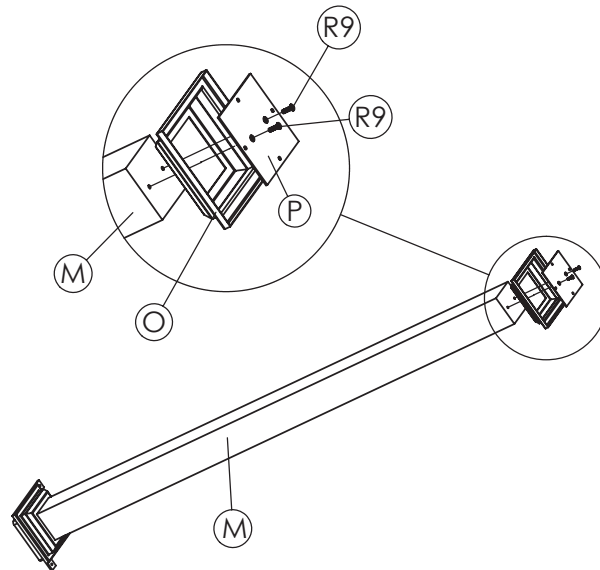
Tighten all bolts of steps above.

# Step 12

R9 x 8



M6x12 Countersink Screw

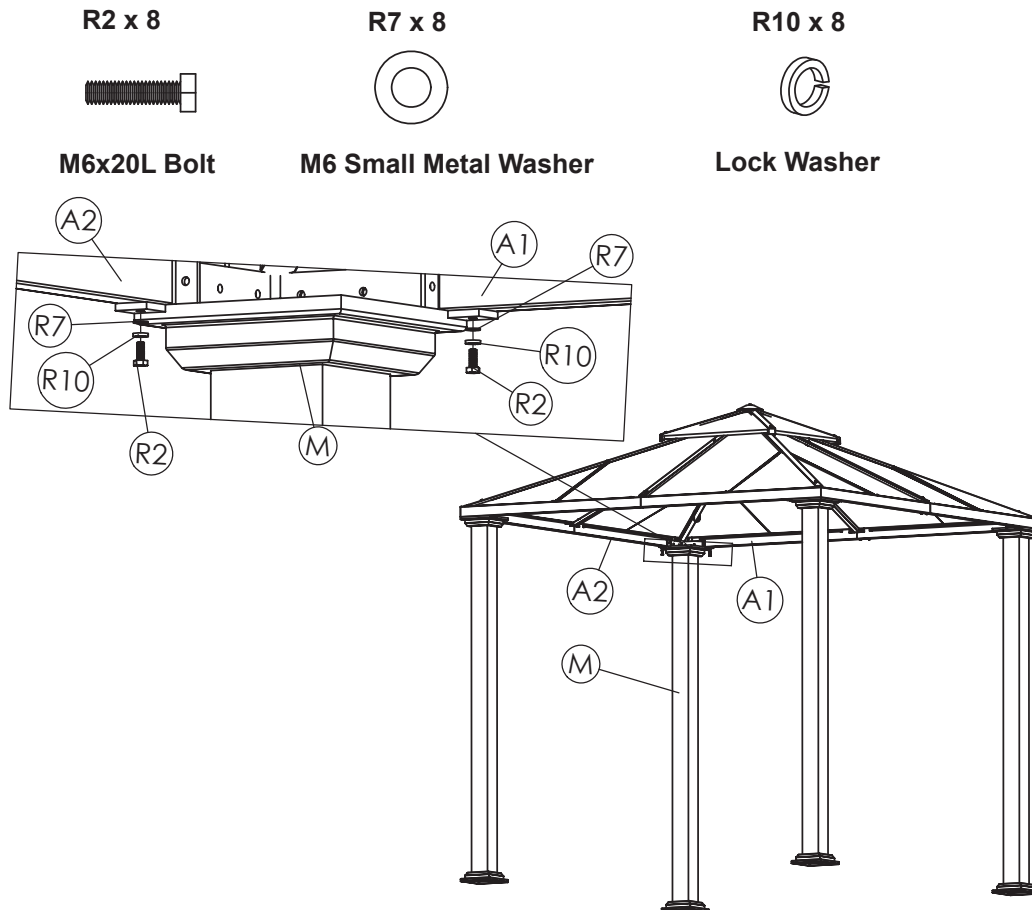


Tighten all bolts of this step.



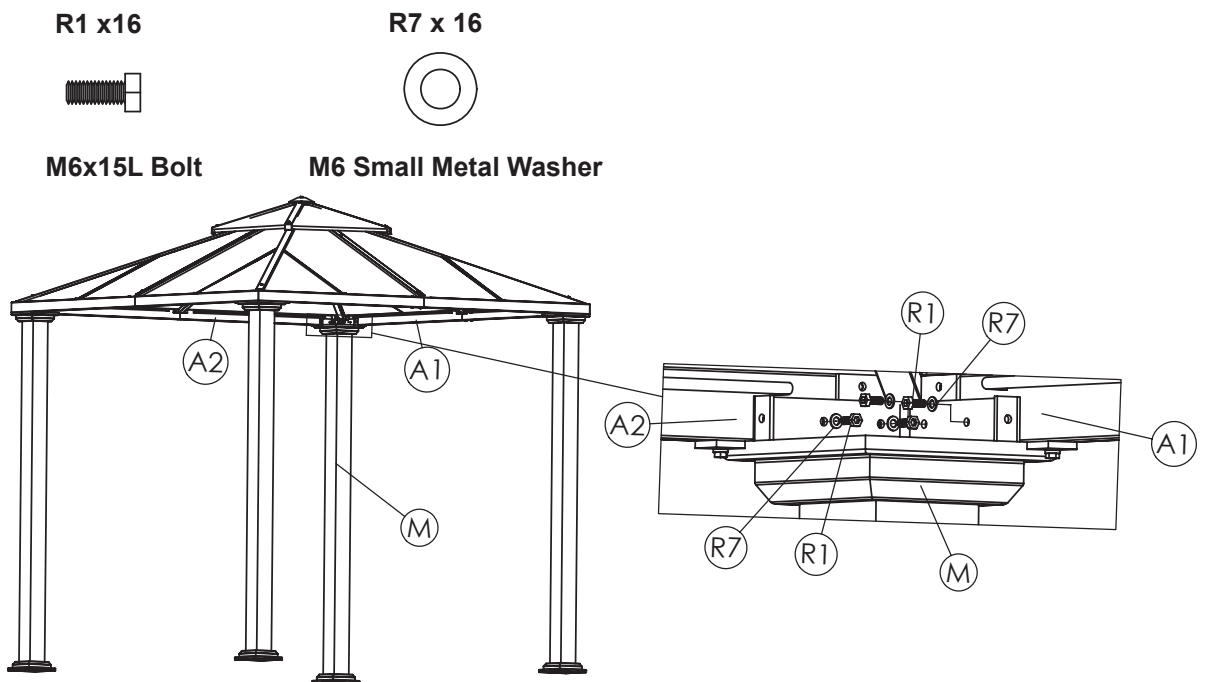
**DON'T RETURN TO STORE**

## Step 13



For the sake of security, at least four people is recommend to lift the top and at least four people to hold the leg post.  
Please don't tighten the bolts fully at this step.

## Step 14

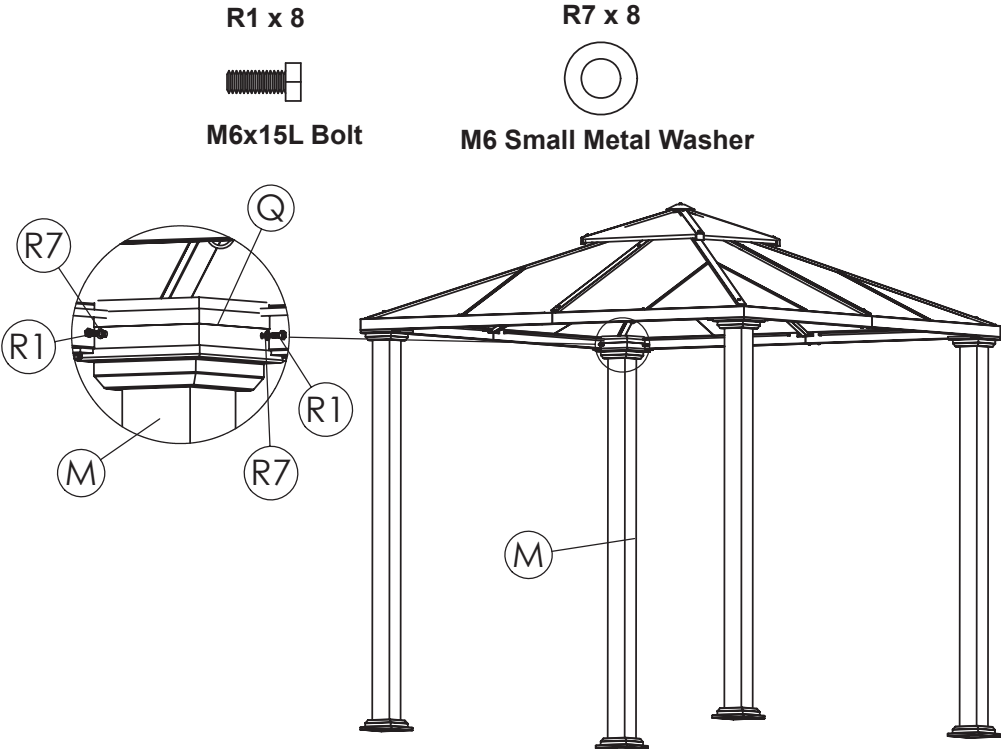


Tighten all bolts of this step.



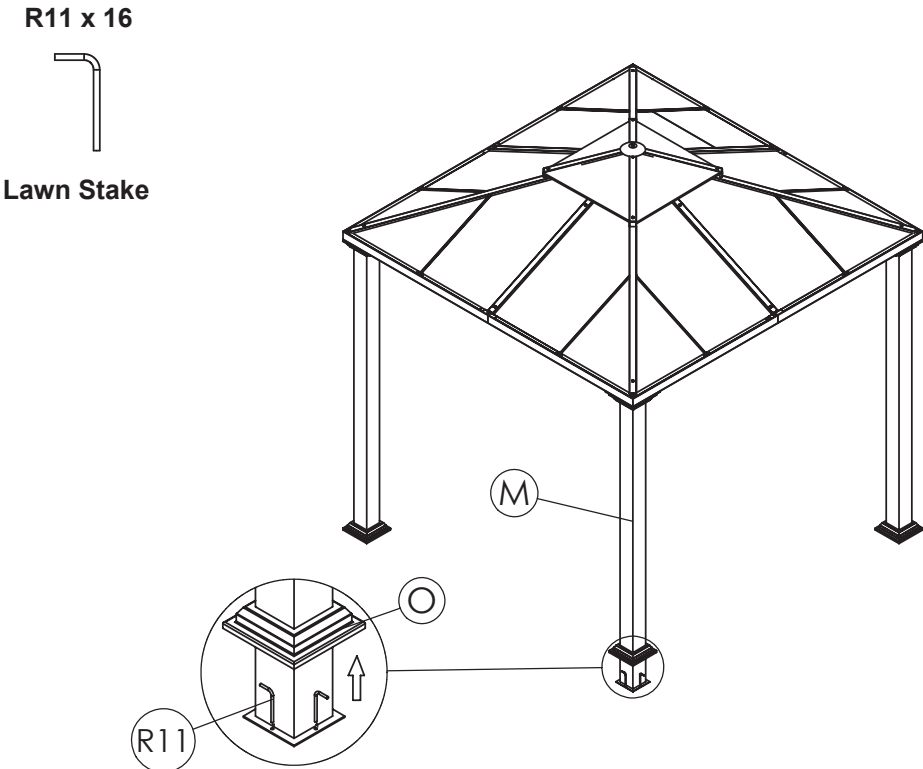
**DON'T RETURN TO STORE**

# Step 15



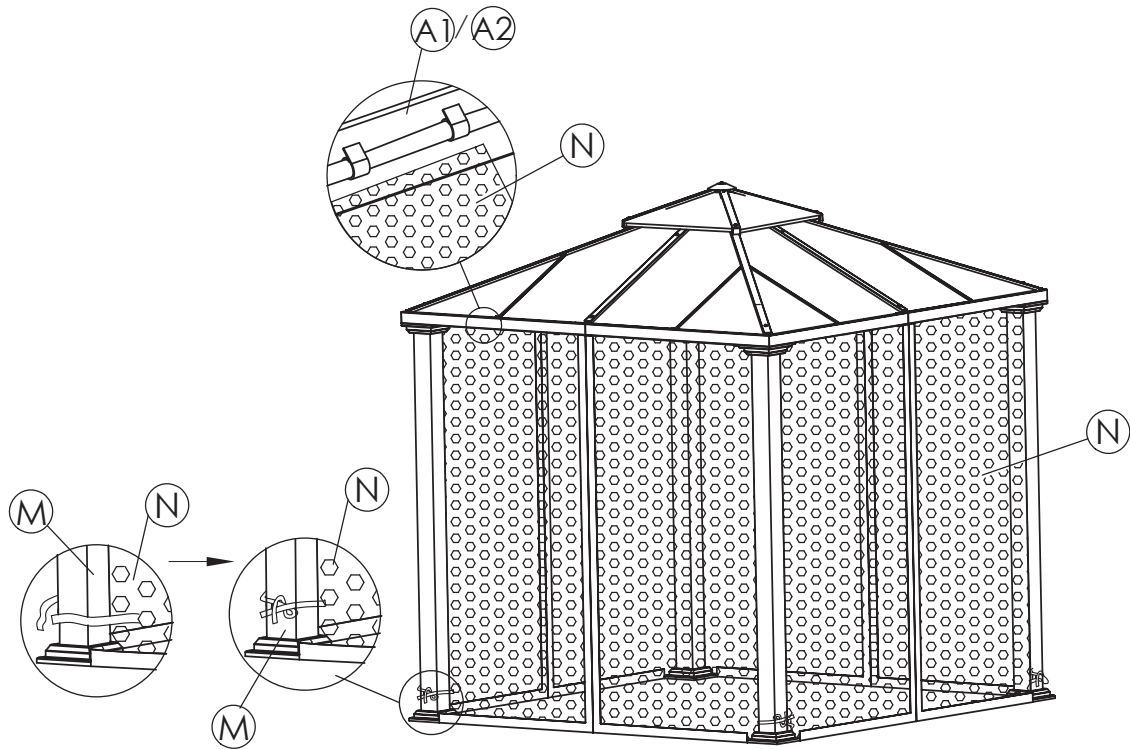
Tighten all bolts of this step.

# Step 16



**STOP** DON'T RETURN TO STORE

## Step 17



Hang the mosquito net (N) to the top beam (A1,A2).

Securely tighten all bolts and nuts.

Your gazebo is ready for your use.



**DON'T RETURN TO STORE**