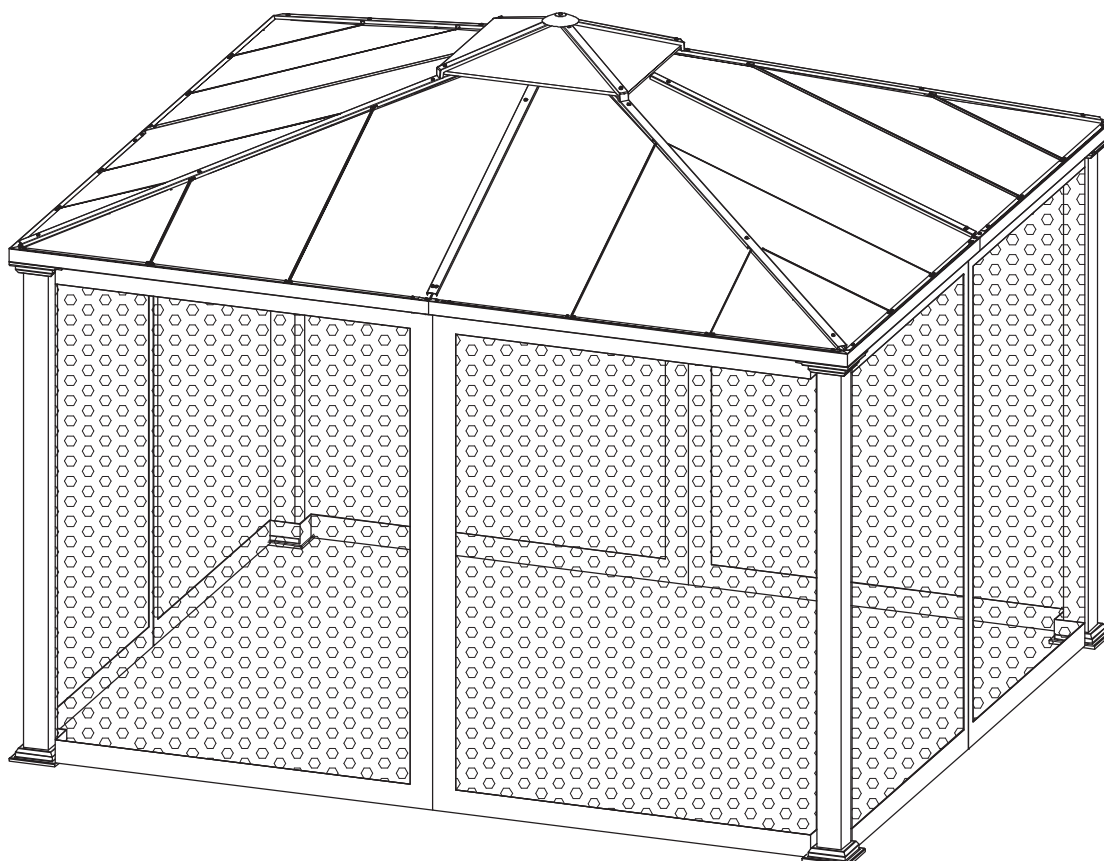


BHG Sullivan Ridge 10' x 10' steel hard top gazebo with net,
steel without E-coat
ASSEMBLY INSTRUCTIONS
ITEM# BH17-092-097-23

ATTENTION: THIS PRODUCT IS NOT FOR COMMERCIAL USE

INTENDED FOR RESIDENTIAL USE ONLY.

Questions, problems, missing parts with this product? Do not return to your retailer, please call our customer service department 9:00 a.m. to 5:00 p.m. Eastern Standard Time Monday through Friday Phone # 1-800-457-4652 or contact us at www.numarkcustomerservice.com



DON'T RETURN TO STORE

WARNINGS AND CAUTIONS

- * It is essential to place the gazebo on level ground and not less than 6 feet from any obstruction such as fences, garages, the house, overhanging branches, laundry lines, or electrical wires.
- * Assembly by at least eight adults is recommended.
- * Oil all metallic moving parts during usage season.
- * Always remove the canopy in heavy wind conditions, otherwise the canopy may tip over and may cause damage to its parts.
- * The user of this gazebo should always inspect it before each use.
- * Do not discard any of the packaging until you have checked that you have all the parts and pack of fittings.
- * Keep children away during assembly. This item contains small parts which can be swallowed by children. Children should always be under direct adult supervision while using the product.
- * The manufacturer will not accept responsibility for unauthorized repair or modifications to the gazebo.
- * Retain the assembly instructions for future reference.
- * Estimated Assembly Time: 120 minutes - 6 persons.
- * **Keep all flame and heat sources away from canopy fabric.**
The canopy is made with flame-resistant fabric which meets CPAI-84 specifications. It is not fireproof. The canopy fabric will burn if left in continuous contact with flame source. The application of any foreign substance to the canopy fabric may render the flame-resistant properties ineffective.











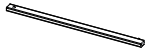


CLEANING AND MAINTENANCE

- * Wash frame parts and fabric with mild soap and water, rinse thoroughly. Dry frame completely and allow the fabric to drip dry.
- * Do not use bleach, acid, or other solvents on the fabric or frame parts.
- * Please inspect and tighten all bolts or fasteners on a regular basis to ensure proper performance and safety of your gazebo.




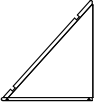




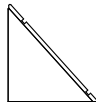


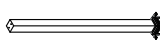
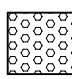
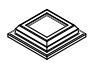

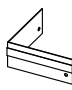
DON'T RETURN TO STORE

Remove all components from the polybag and unwrap all package materials. Please count the components, there are:

NO.	Part	Description	Quantity
A1		Top Beam	4
A2		Top Beam	4
B		Short Canopy Frame Bar	4
C		Long Canopy Frame Bar	4
D		Connection Ring	1
E1		Long Connect Bar	4
E2		Long Connect Bar	4
E3		Short Connect Bar	4
E4		Short Connect Bar	4
F		Small Canopy Frame	1
G		Small Canopy Bar	4
H		Small Canopy Cover Slat	4
I		Small Upper Roof Cover	4

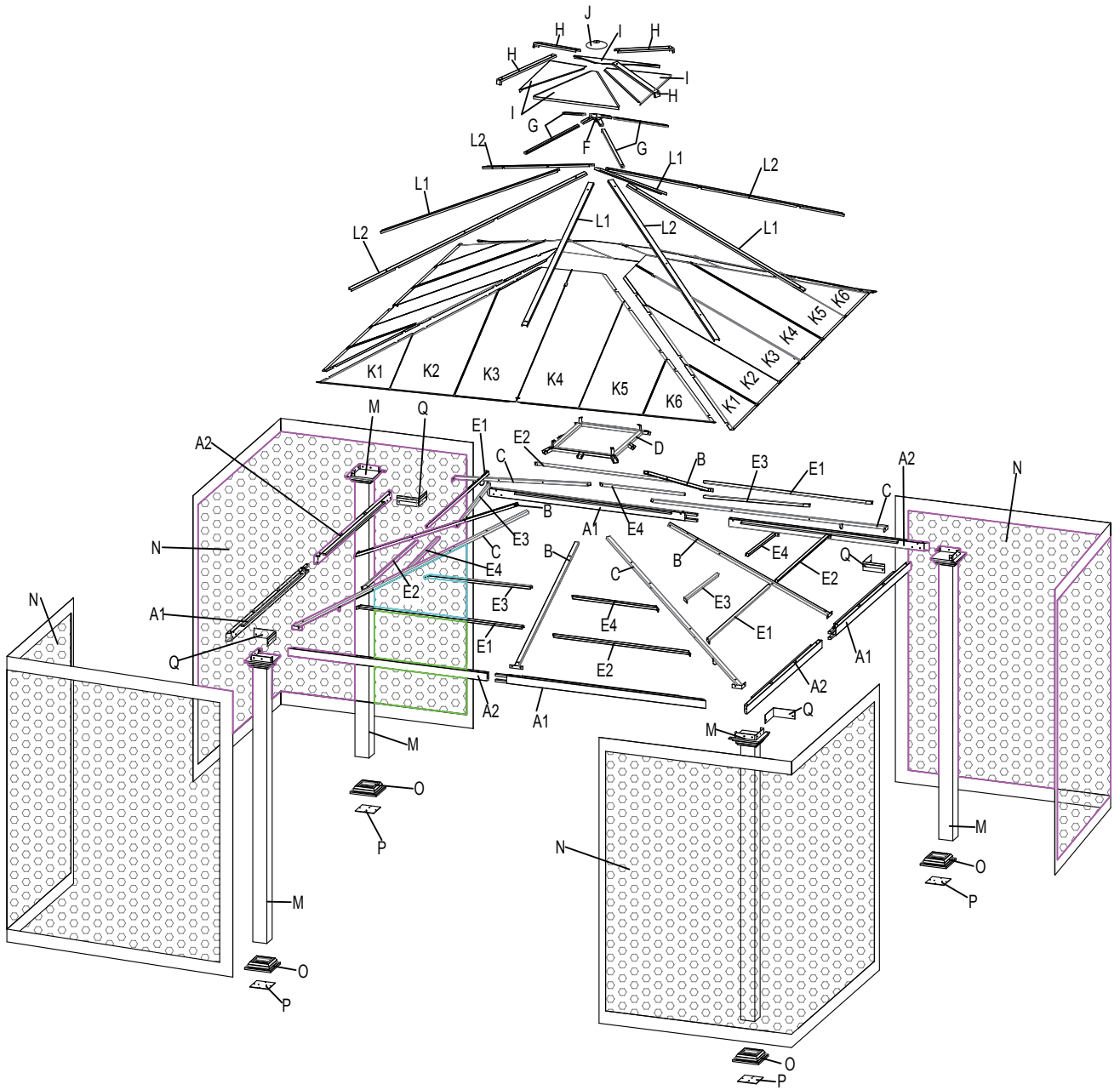


DON'T RETURN TO STORE

NO.	Part	Description	Quantity
J		Bowl-shaped Cover	1
K1		Large Upper Roof Cover	4
K2		Large Upper Roof Cover	4
K3		Large Upper Roof Cover	4
K4		Large Upper Roof Cover	4
K5		Large Upper Roof Cover	4
K6		Large Upper Roof Cover	4
L1		Short Large Canopy Cover Slat	4
L2		Long Large Canopy Cover Slat	4
M		Leg Post	4
N		Net	4
O		Base Plate	4
P		Post Base	4
Q		L-shaped Plate	4






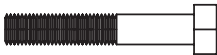




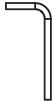

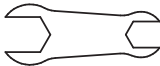
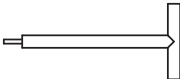

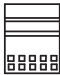


DON'T RETURN TO STORE




STOP DON'T RETURN TO STORE

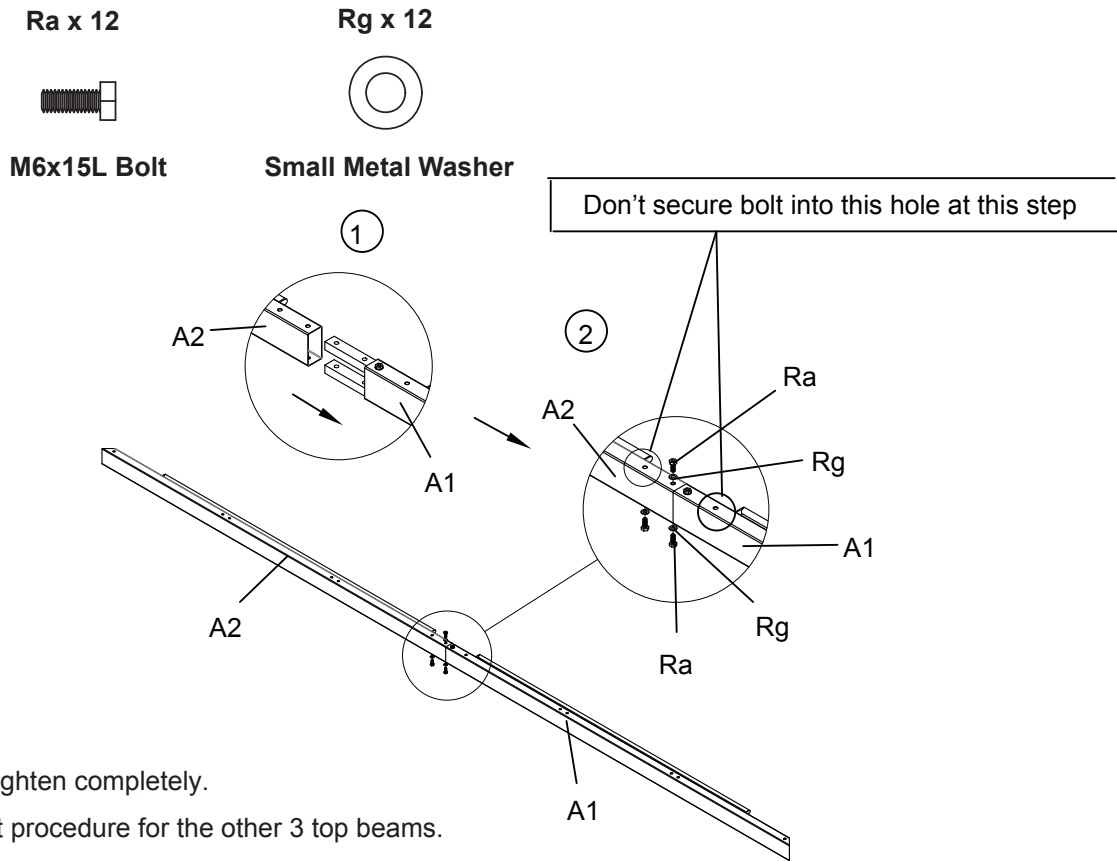
ACCESSERY

NO.	Part	Description	Quantity
Ra		M6x15L Bolt	96+3 Spare
Rb		M6x20L Bolt	24+1 Spare
Rc		M6x30L Bolt	8+1 Spare
Rd		M6x36L Bolt	24+1 Spare
Re		M6x50L Bolt	16+1 Spare
Rf		M8x45L Bolt	1
Rg		Small Metal Washer	176
Rh		M6 Nut	16+1 Spare
Ri		M6x12 Countersink Screw	8+1 Spare
Rj		Lock Washer	8+1 Spare
Rk		Lawn Stake	16
RI		M6 Large Metal Washer	8
Rm		Open Hex Wrench	2
Rn		Long Allen Wrench	1
Ro		Allen Wrench	2
Rp		Assembly Instruction Sheet	1

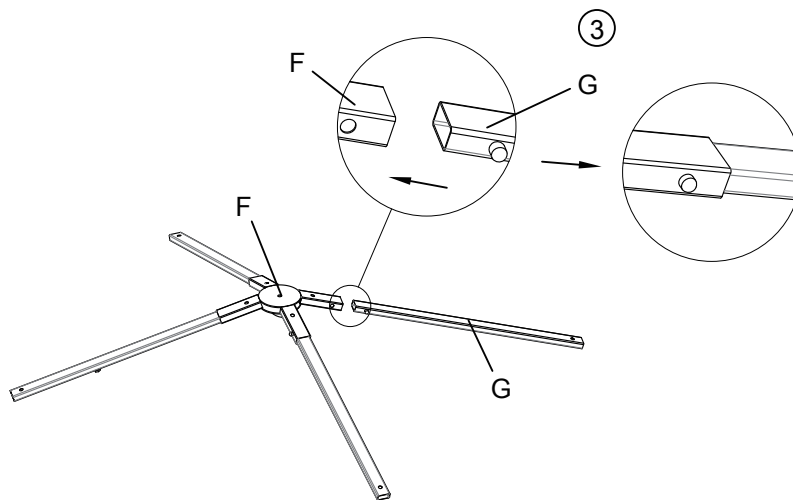


DON'T RETURN TO STORE

Step 1



Step 2



Repeat procedure for the other 3 small canopy bars.



DON'T RETURN TO STORE

Step 3

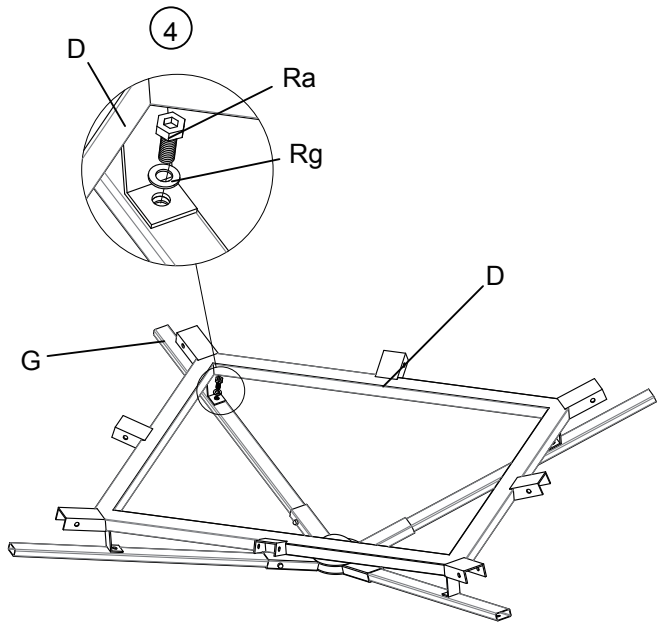
- Ra x 4**



M6 x 15 Bolt
- Rg x4**



Small Metal Washer




Don't tighten completely.


Repeat procedure for the other 3 holes. Tighten all bolts of above steps.

Step 4


- Rb x 8**



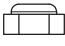
M6 x 20 Bolt
- Re x 4**



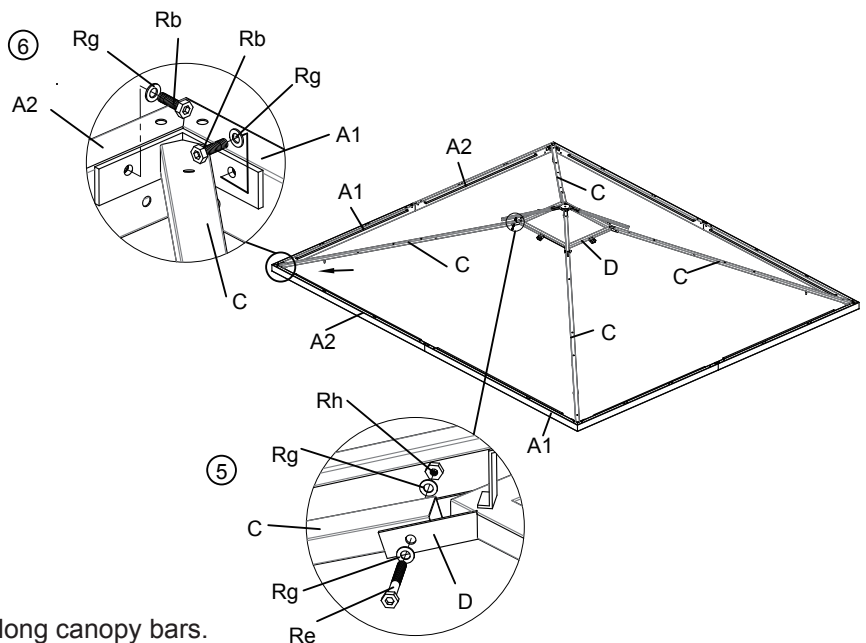
M6 x 50 Bolt
- Rg x 16**



Small Metal Washer
- Rh x 4**



Nut


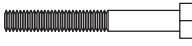

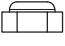


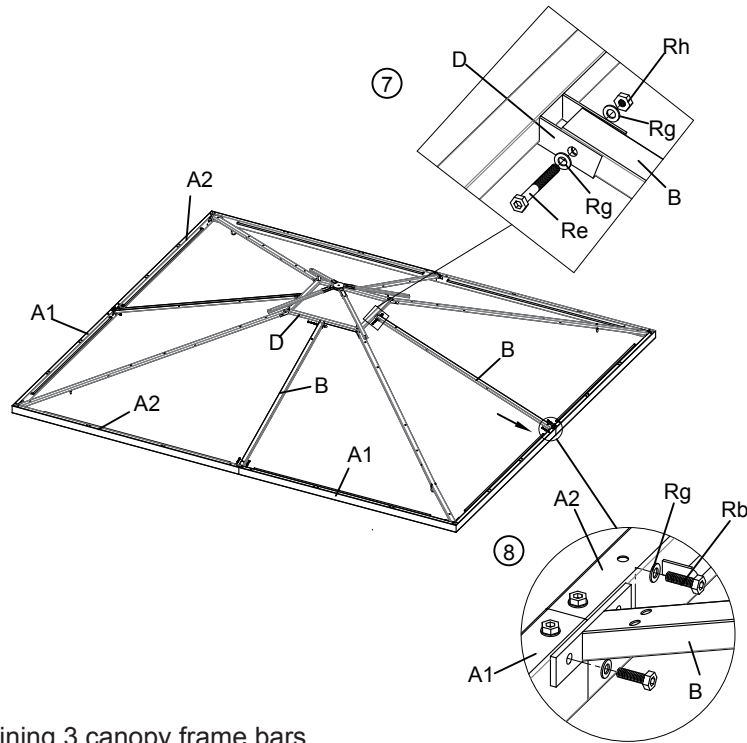
Don't tighten completely.

Repeat procedure for the other 3 long canopy bars.


STOP DON'T RETURN TO STORE

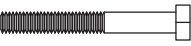

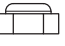
Step 5

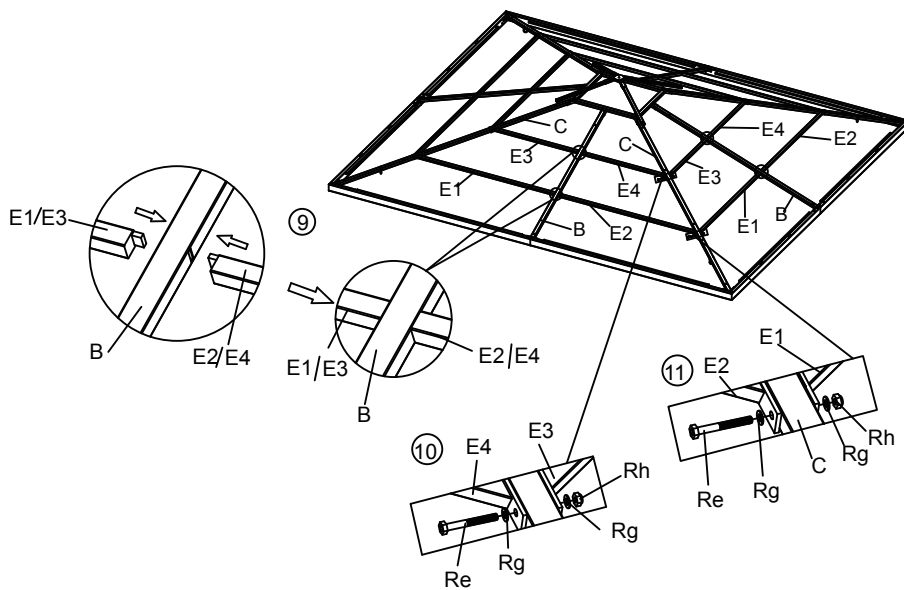
- Rb x 8**

 M6 x 20 Bolt
- Re x 4**

 M6 x 50 Bolt
- Rg x 16**

 Small Metal Washer
- Rh x 4**

 Nut



Don't tighten completely.
 Repeat procedure for remaining 3 canopy frame bars.


Step 6

- Re x 8**

 M6 x 50 Bolt
- Rg x 16**

 Small Metal Washer
- Rh x 8**

 Nut



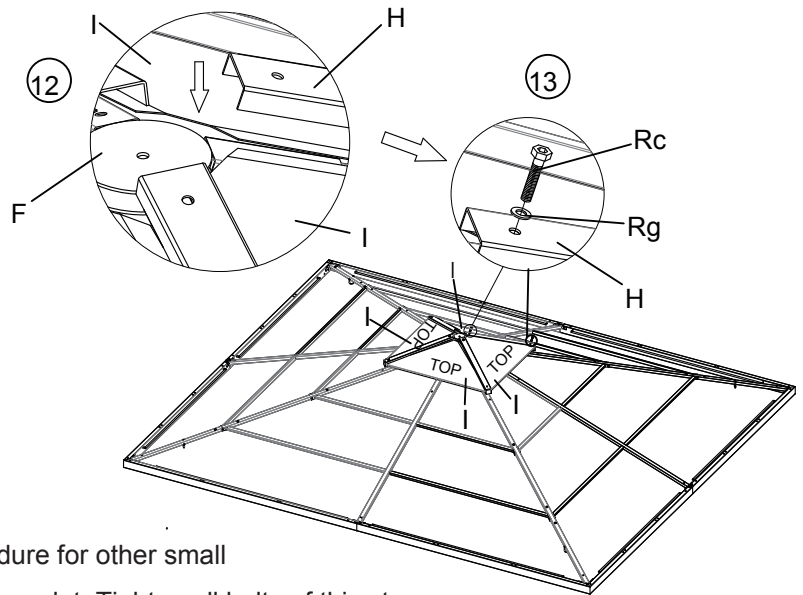
Don't tighten completely.
 Repeat procedure for other 3 connect bars. Tighten all bolts of above steps.

Step 7

Rc x 8

M6x30L Bolt

Rg x 8

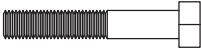
Small Metal Washer

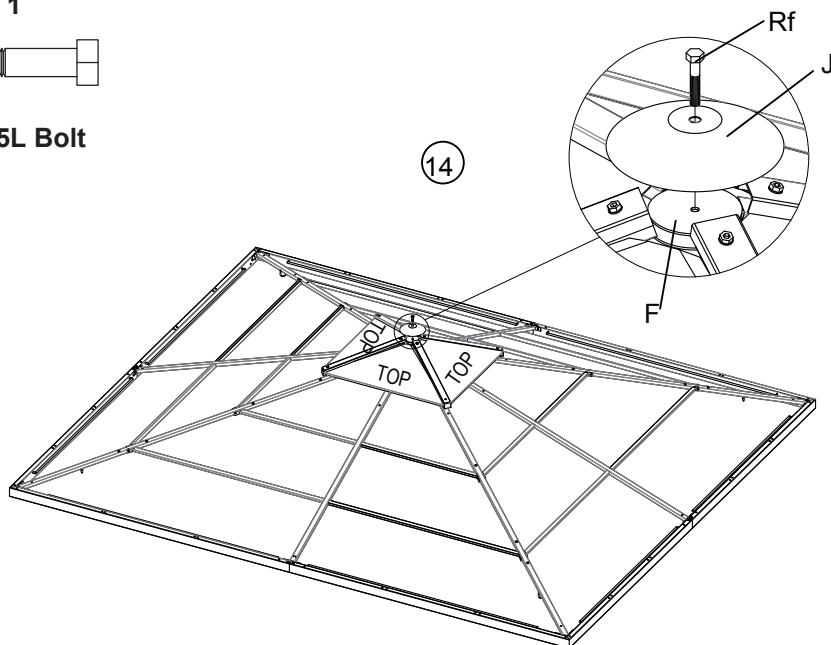


NOTE: Top label facing upside.

Don't tighten completely. Repeat procedure for other small upper roof covers and small canopy cover slat. Tighten all bolts of this step.

Step 8

Rf x 1

M8x45L Bolt



NOTE: Top label facing upside.

Securely tighten all bolts of this step.



DON'T RETURN TO STORE

Step 9

Ra x 20



M6x15L Bolt

Rg x 16

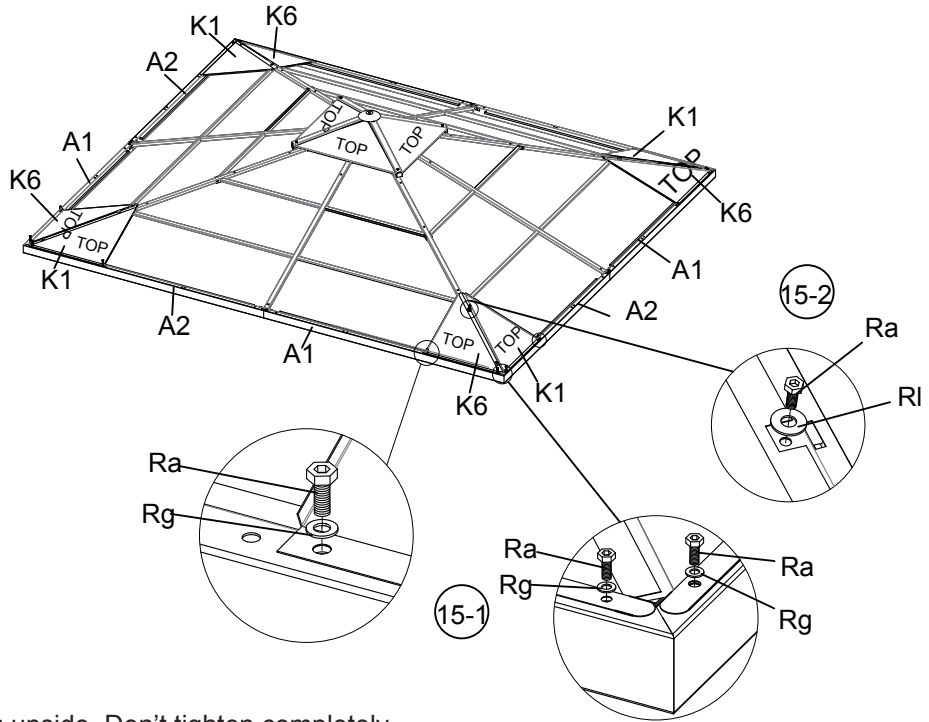


Small Metal Washer

RI x 4



Large Metal Washer



NOTE: Top label facing upside. Don't tighten completely.
Repeat procedure for other large upper roof covers(K1& K6).

Step 10

Ra x 20



M6x15L Bolt

Rg x 16

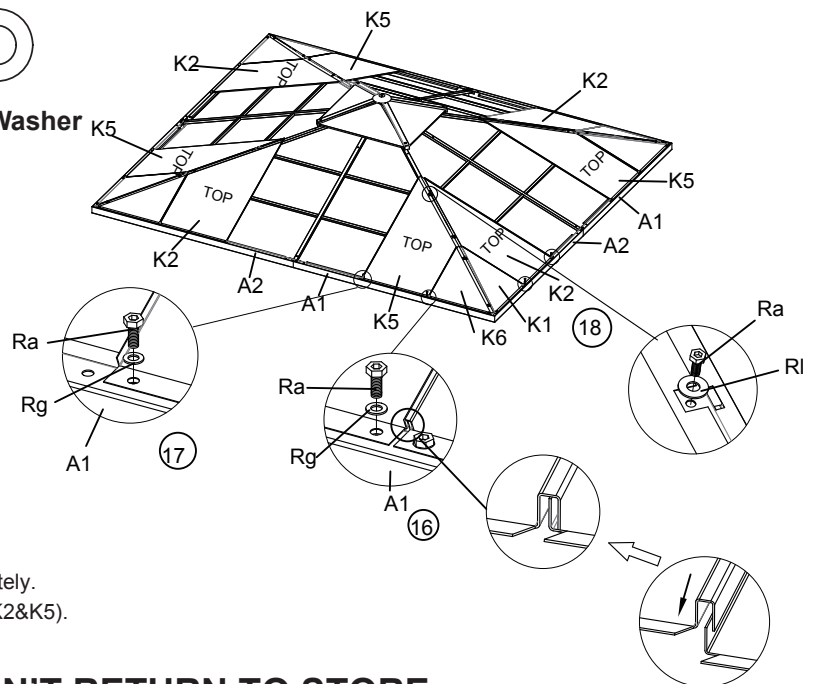


Small Metal Washer

RI x 4



Large Metal Washer



NOTE: Top label facing upside. Don't tighten completely.
Repeat procedure for other large upper roof covers(K2&K5).



DON'T RETURN TO STORE

Step 11

Ra x 16

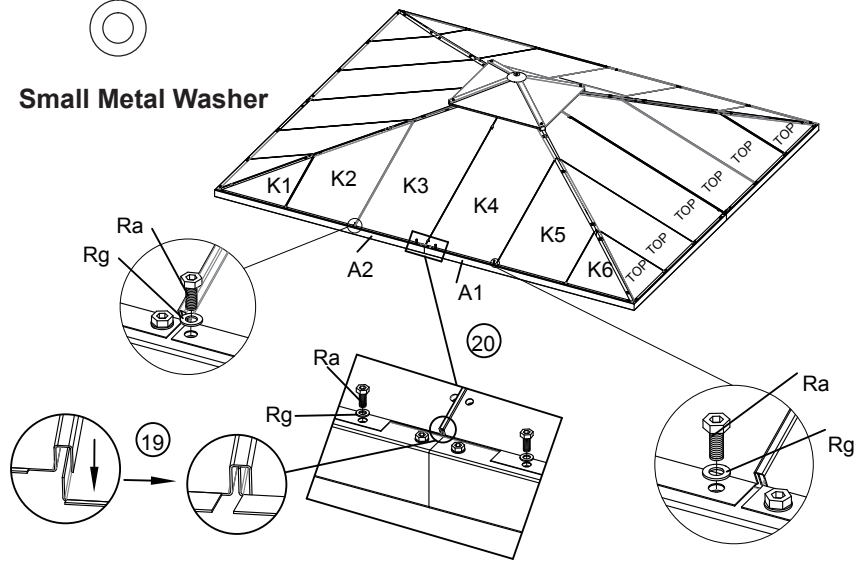


M6x15L Bolt

Rg x 16



Small Metal Washer



NOTE: Top label facing upside. Don't tighten completely.
Repeat procedure for other large upper roof covers(K3&K4).
Tighten all bolts of above steps.

Step 12

Rd x 12

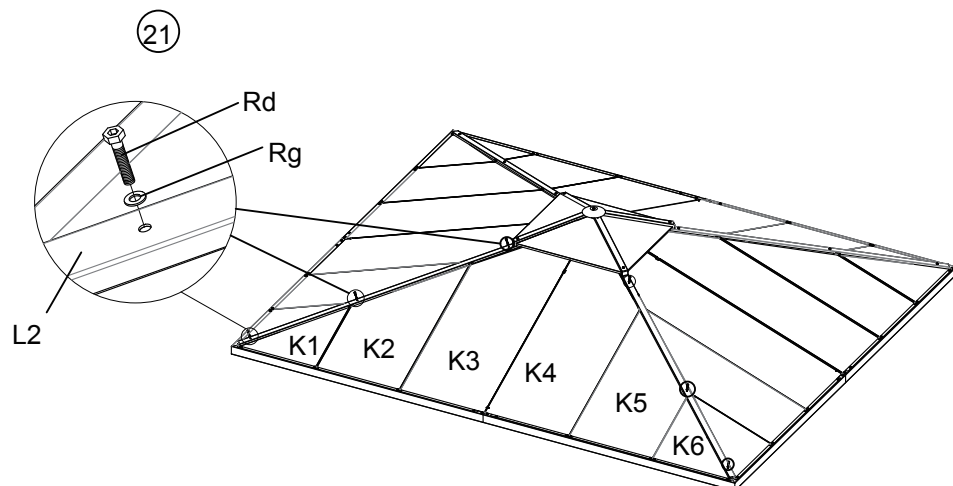


M6 x 36 Bolt

Rg x 12



Small Metal Washer



Don't tighten completely.
Repeat procedure for other 3 long large canopy cover slats.



DON'T RETURN TO STORE

Step 13

Rd x 12

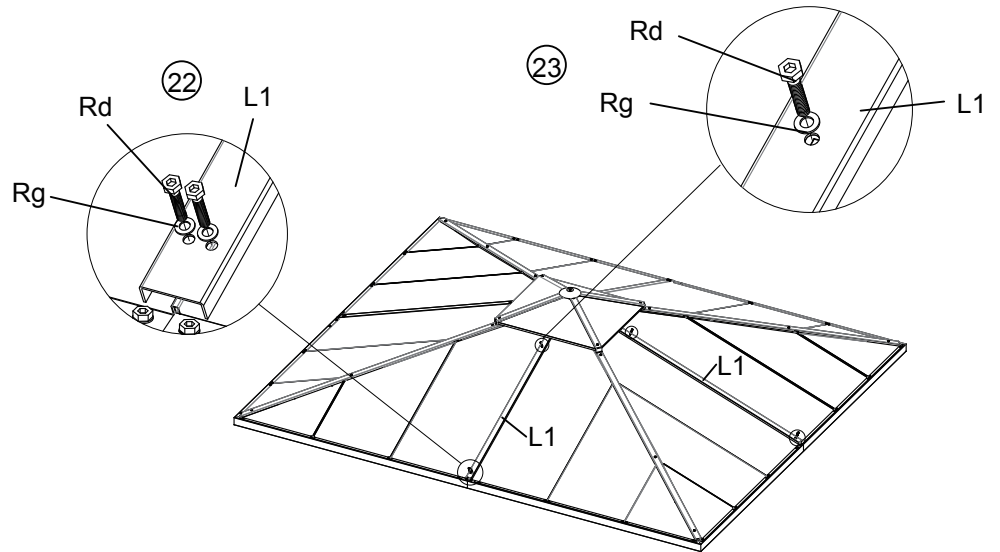


M6x36L Bolt

Rg x 12



Small Metal Washer



Don't tighten completely.

Repeat procedure for other short large canopy cover slats.

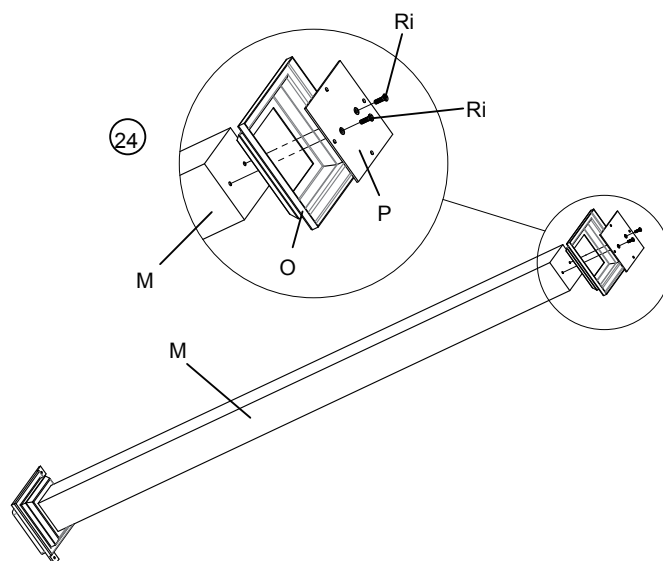
Securely tighten all bolts for all above steps.

Step 14

Ri x 8



M6x12L Bolt



Securely tighten all bolts.

Repeat procedure for the remaining three leg posts.



DON'T RETURN TO STORE

Step 15

Rb x 8



M6x 20L Bolt

Rg x 8

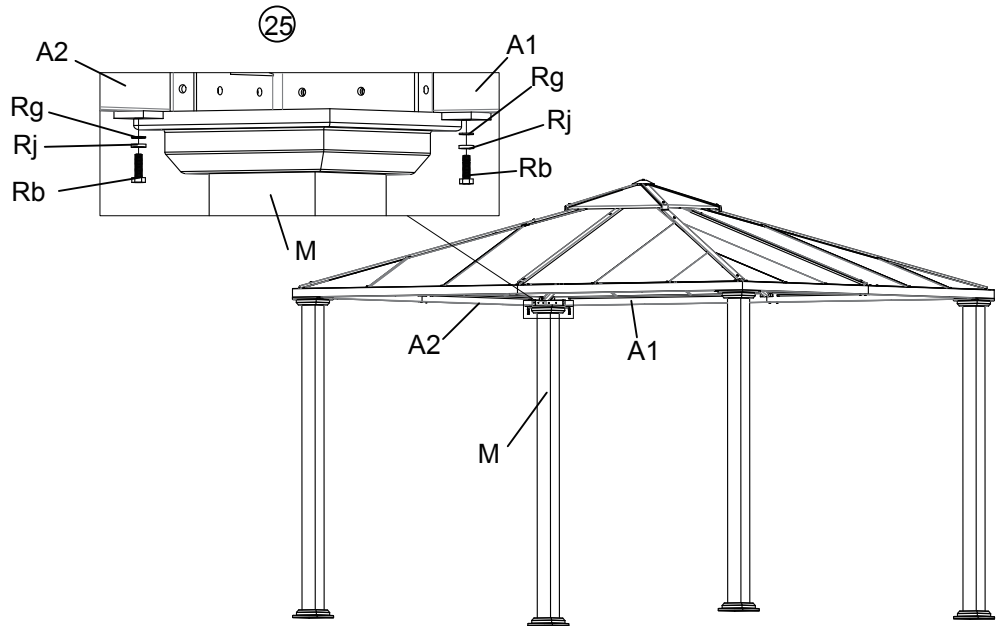


Small Metal Washer

Rj x 8



Locker Washer



Don't tighten completely.

Repeat procedure for the remaining three leg posts.

Step 16

Ra x 16

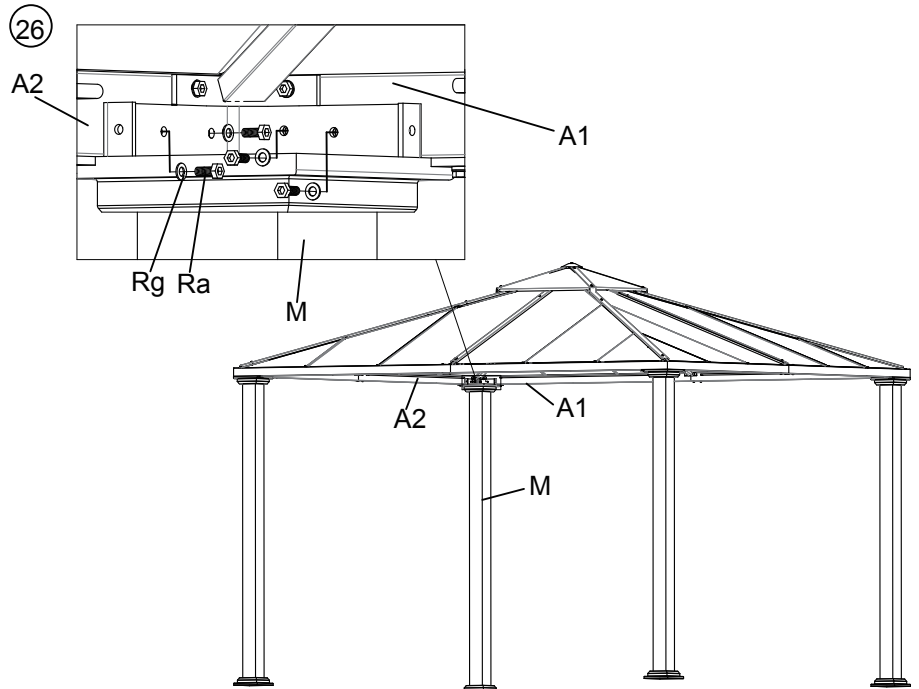


M6 x 15 Bolt

Rg x 16



Small Metal Washer



Repeat procedure for the remaining three leg posts.

Securely tighten all bolts for Step 15&16.



DON'T RETURN TO STORE

Step 17

Ra x 8

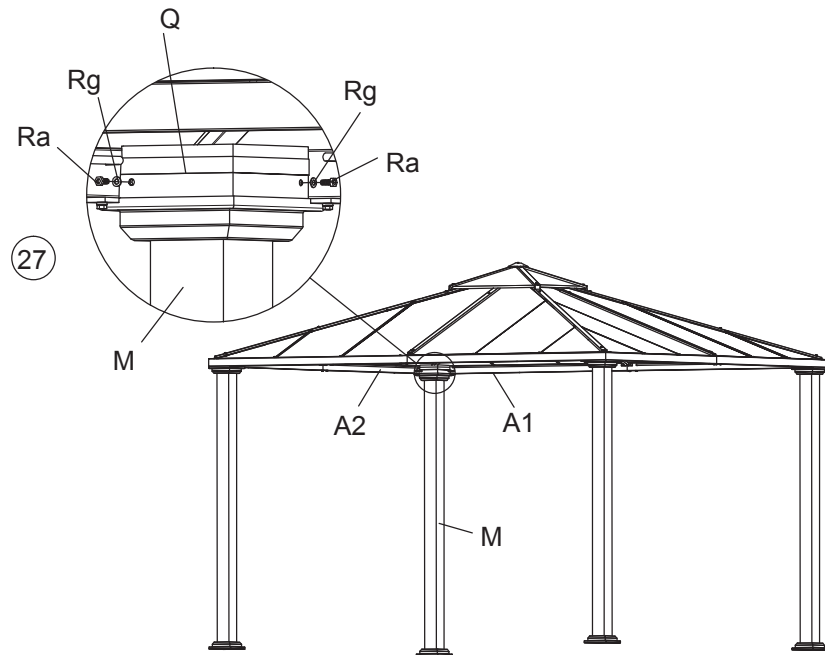


M6x 15L Bolt

Rg x 8



Small Metal Washer

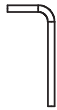


Securely tighten all bolts.

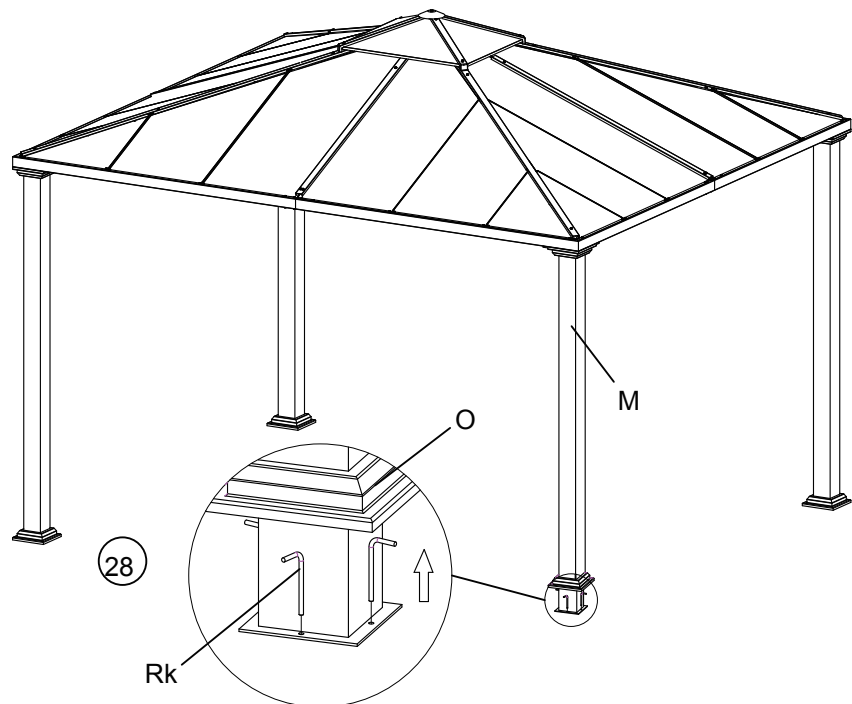
Repeat procedure for the remaining 3 "L" shaped plates.

Step 18

Rk x 16

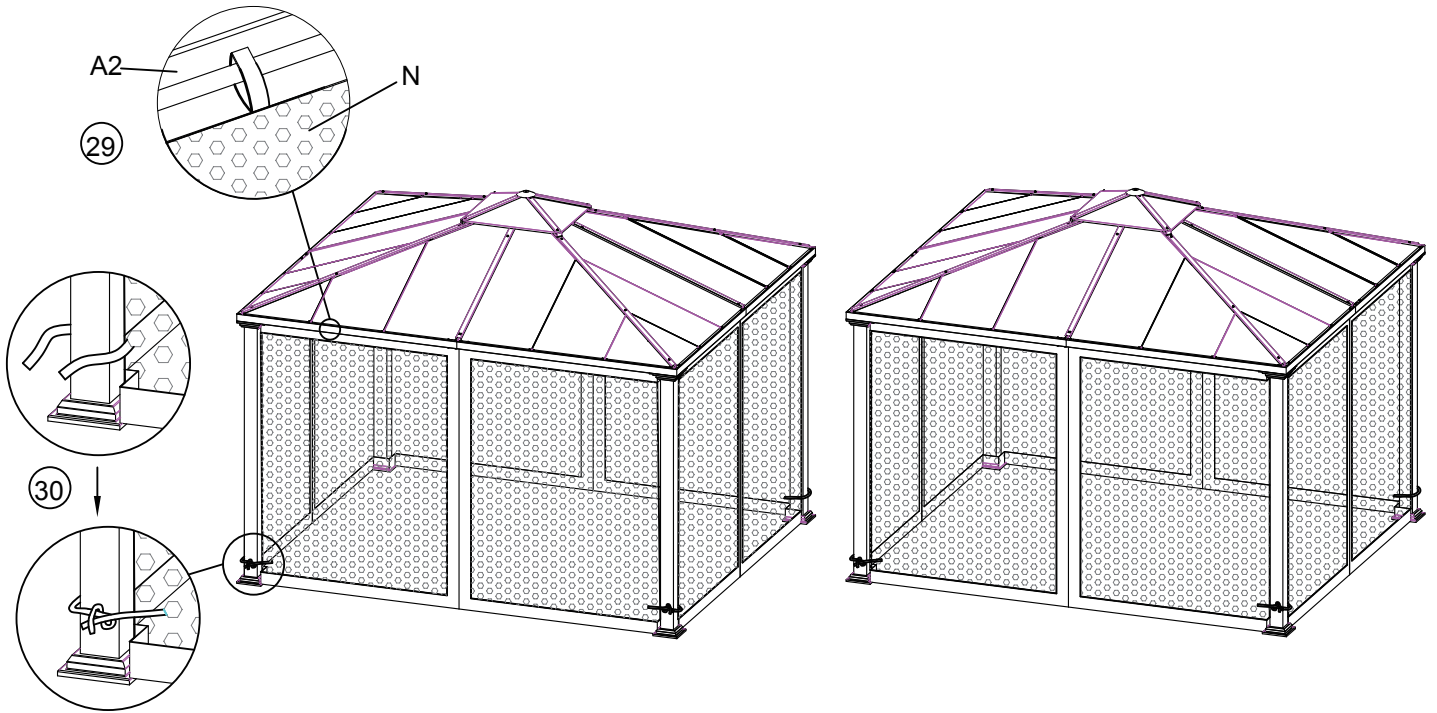


Lawn Stake



DON'T RETURN TO STORE

Step 19



Your gazebo with net is now ready for use.



DON'T RETURN TO STORE

