

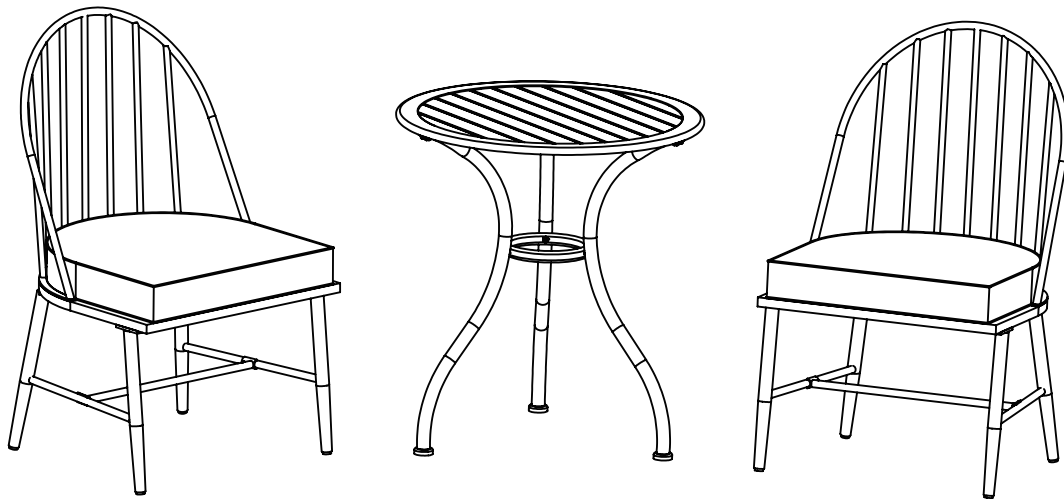
Rochelle 3 piece bistro set

ASSEMBLY INSTRUCTIONS

SC-K-933/3

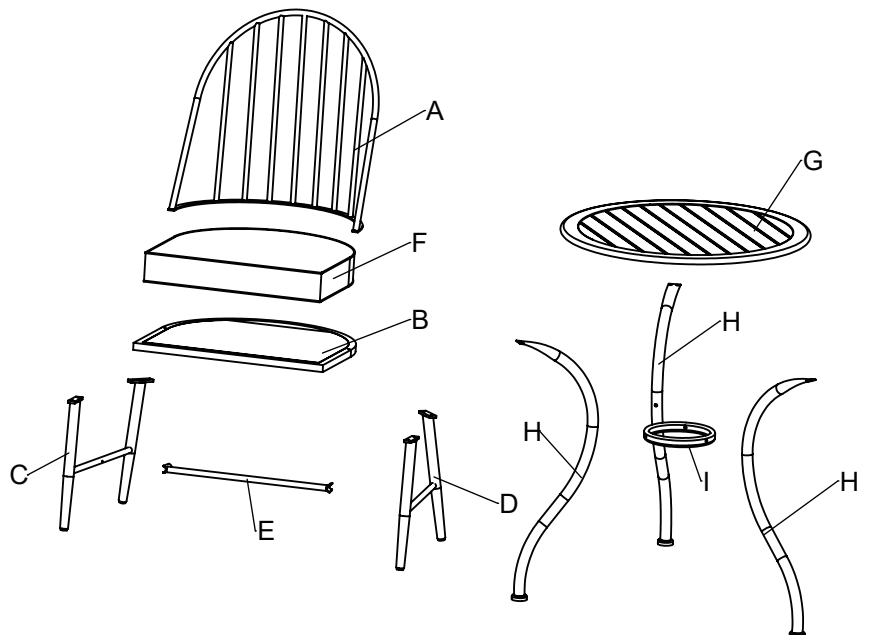


Questions, problems, missing parts with this product? Please contact us at www.numarkcustomerservice.com



Parts

A	Back	2
B	Seat	2
C	Right Leg	2
D	Left Leg	2
E	Chair Connected Bar	2
F	Seat Cushion	2
G	Table Top (6 bolts and 6 metal washers attached)	1
H	Table Leg (1 bolt and 1 metal washer attached for each)	3
I	Table Center Ring	1



Hardware

Ja x 4
Screw



Jb x 1 spare
Short bolt



Jc x 16 + 1 spare
Medium bolt



Jd x 6
Long bolt



Je x 22
Metal washer



Jf x 1
Allen wrench



Assembly instruction

1

Jc x 8
Medium bolt

Je x 8
Metal washer

Do not tighten completely.
Repeat procedure for the other side.

2

Ja x 2
Screw

Note: the arrow on the connected bar should be towards front.
Do not tighten completely.
Repeat procedure for the other two legs.

Assembly instruction

3

Jd x 3
Long bolt

Je x 3
Metal washer

Do not tighten completely.
Repeat procedure for the other holes.

4

Securely tighten all bolts.
Repeat procedure for the other chair.

5

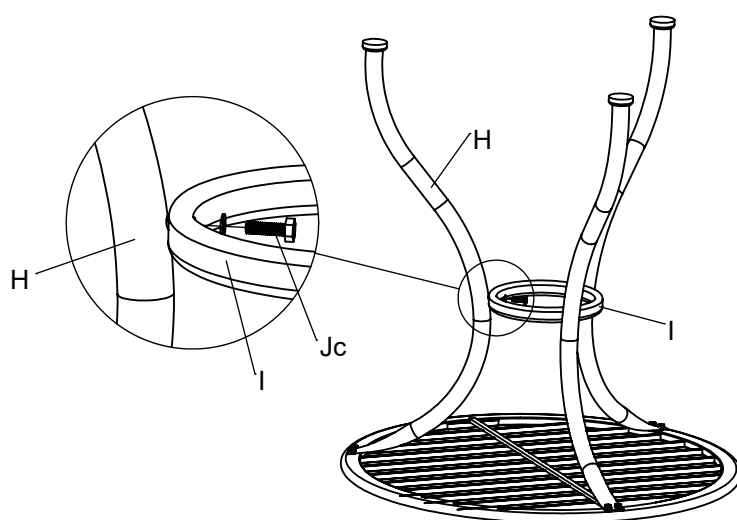
Jb x 6
Short bolt
(remove from the table top)

Je x 6
Metal washer
(remove from the table top)

Do not tighten completely.
Repeat procedure for the other two legs.

Assembly instruction

6



Jc x 3
Medium bolt
(remove from the table leg)

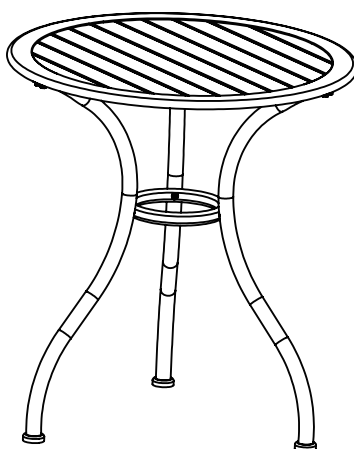


Je x 3
Metal washer
(remove from the table leg)



Do not tighten completely.
Repeat procedure for the other two legs.

7



Turn over the table.
Securely tighten all bolts.
Your bistro set is now ready for use.

Printed in China