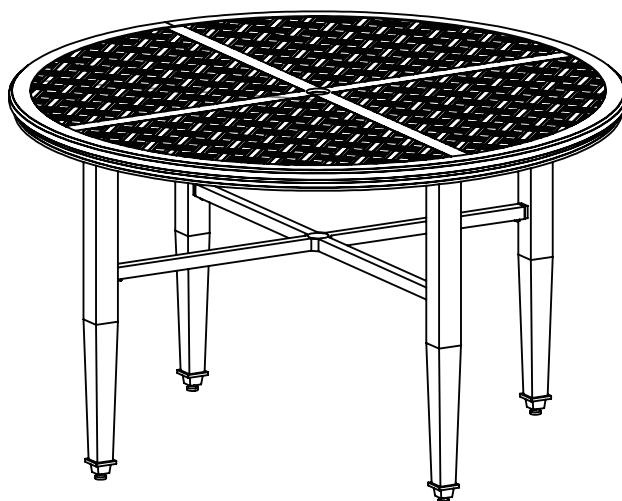


# CANVAS<sup>TM/MC</sup>

## COVENTRY HILLS

### ROUND DINING TABLE

MODEL NO. 088-2105-2



### ASSEMBLY INSTRUCTIONS

Toll-free: 1-888-670-6684

**IMPORTANT:** Please read this manual carefully before beginning assembly of this product.  
Keep this manual for future reference.

Important Safety Instructions	2
Parts List	3
Assembly	4
Maintenance	5
Warranty	5

• **Warning!**

To reduce the risk of serious injury, read the following safety instructions before assembling and using the product.

• **Caution!**

Always keep children under close supervision while they are using or around this product. Never leave children unattended.

• **SET UP YOUR FURNITURE PROPERLY**

Ensure that all parts are assembled properly and fully tightened as per the instructions. When placing in the desired location, ensure that all legs are resting on the same surface. You may adjust the legs levellers as required to ensure that the item stands in a rigid position.

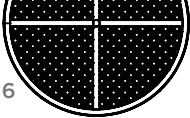
• **EXAMINE YOUR FURNITURE**

Examine occasionally to ensure that there are no loose parts. If loose parts are found, they must be retightened fully before additional use.

- Do not completely tighten bolts and nuts until indicated in assembly step.

**IMPORTANT:** Retain for future reference, and read carefully.


**1**  
**Table Top** (16 Metal Washers and 16 Bolts attached for each) - 1



**A**  
**Bolt - 1 spare**



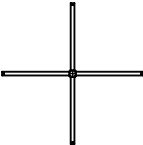
**2**  
**Metal Leg** (4 Metal Washers and 4 Bolts attached for each) - 4




**B**  
**Hex Wrench - 1**



**3**  
**Metal Centre Ring - 1**



 **Let us help you!**  
**DO NOT RETURN YOUR PRODUCT TO THE STORE. CALL US FIRST!**  
**1-888-670-6684**  
If you have questions regarding your product, require warranty assistance, or have damaged or missing parts, please call our customer service toll-free helpline. Contact us for assistance; we're here to help.

**IMPORTANT:** Please read and understand this manual before any assembly. Before beginning assembly of product, make sure all parts are present. Compare parts with packaging contents list. If any part is missing, or if you have any questions, contact the service centre at 1-888-670-6684 (toll free).

Place all parts from the box in a cleared area and position them on the floor in front of you. Remove all packing materials and place them back into the box. Do not dispose of the packing materials until assembly is complete. Read each step carefully before beginning any assembly and make sure you understand each step. If you are missing a part, please call our toll-free number for assistance: 1-888-670-6684 between 9:00 am to 5:00 pm Eastern standard time Monday through Friday.

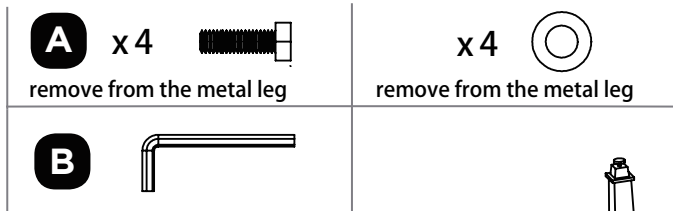
Needed for assembly:

	
Hex Wrench	2 people

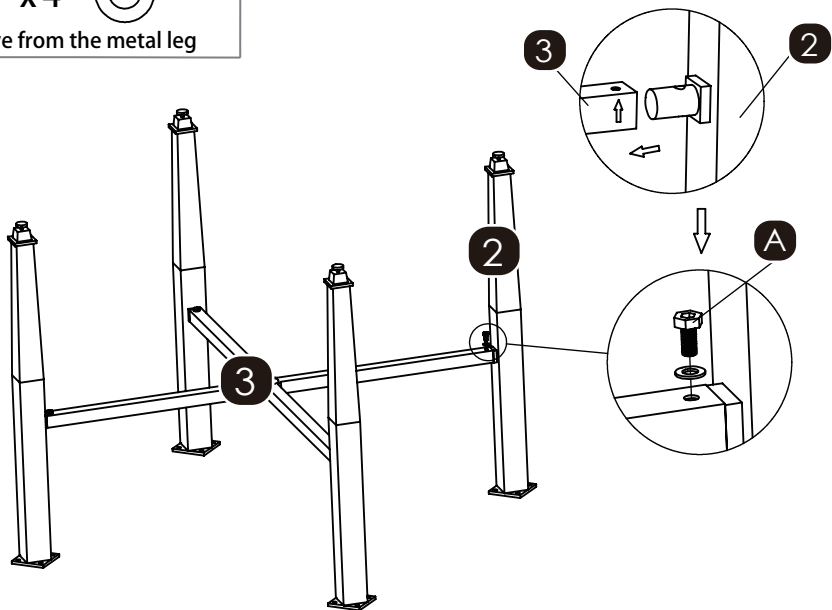
### Step 1

Requires 2, 3, A, B.

Attach metal leg 2 to the metal centre ring 3. Do not tighten completely. Repeat procedure for the remaining three legs. Note: Make sure the arrows “↑” point in the same direction.



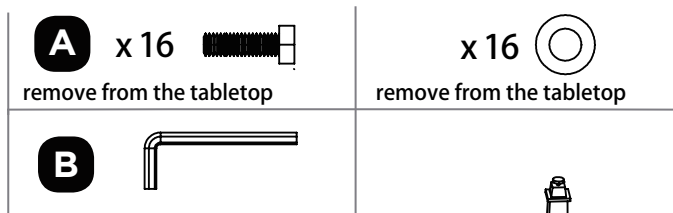
Not shown at actual size



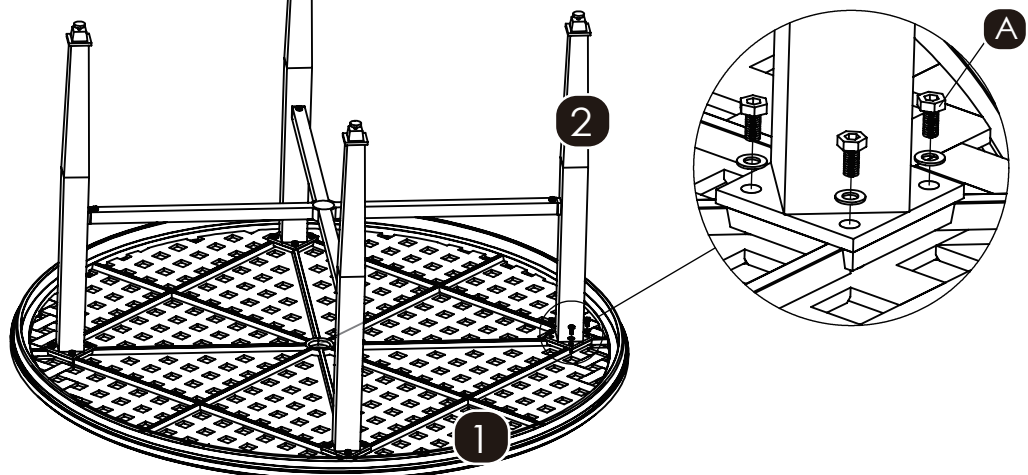
### Step 2

Requires 1, 2, A, B.

Attach leg 2 to the tabletop 1. Do not tighten completely. Repeat procedure for the remaining three legs. Turn the table over. Tighten all bolts in a diagonal pattern. Level the table by twisting knobs on the bottom of the legs. Now your table is ready for use.



Not shown at actual size



- Aluminum frames will never rust. In case of scratches to the powder-coated paint finish, lightly sand the affected area and apply touch-up paint.
- Wash frames with a mild solution of soap and water; rinse thoroughly. Do not use bleach or solvents.

This CANVAS product carries a one (1) year warranty against defects in workmanship and materials.

We warrant our products to be free of manufacturing defects to the original purchaser for the period listed. We reserve the right to make substitutions with similar merchandise if the model in question is no longer in production.

#### EXCLUSIONS

This warranty does not cover: products used for commercial or non-residential purposes; failures caused by improper care; unreasonable or abusive use; freeze damage; or acts of nature. Steel products are not covered against rust. Tempered glass table tops are not covered against breakage.

#### FINISH

Frame finish is warranted to be free of manufacturing defects for a period of one (1) year. Discolouration or fading of the finish as a result of exposure to the elements, chemicals, or spills is not covered.

Made in China

Imported by  
Trileaf Distribution Trifeuil Toronto, Canada M4S 2B8