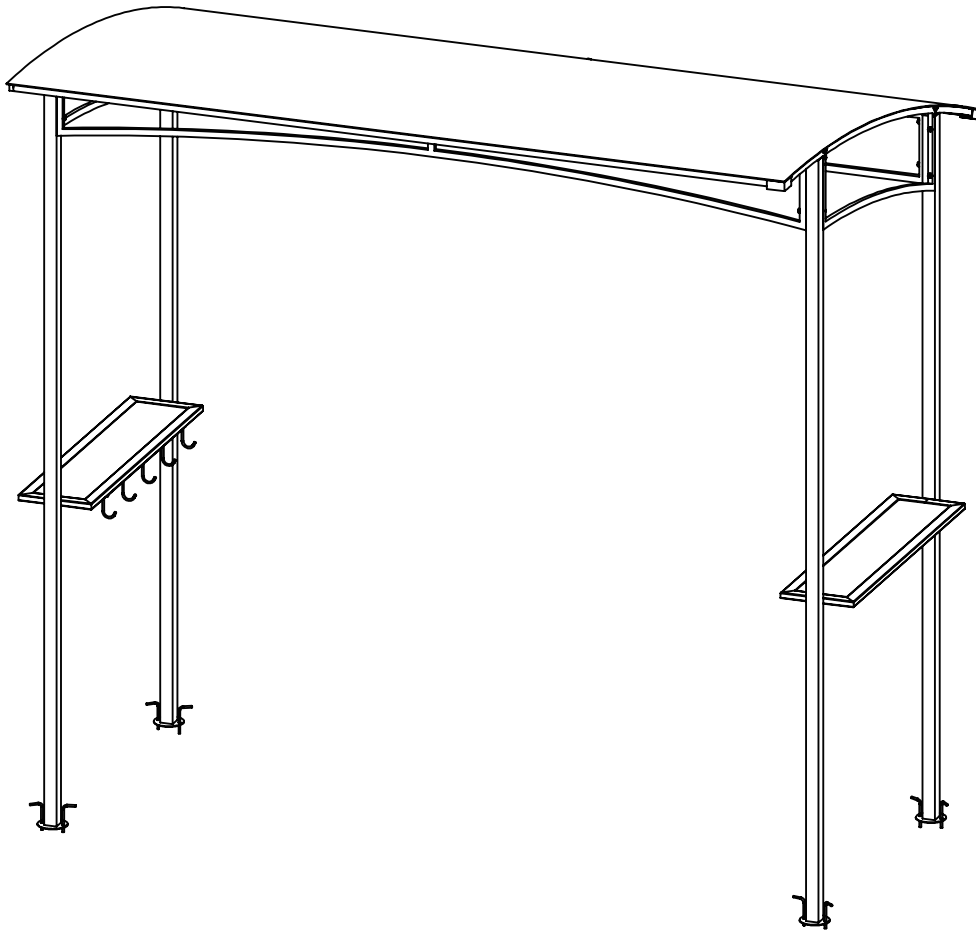
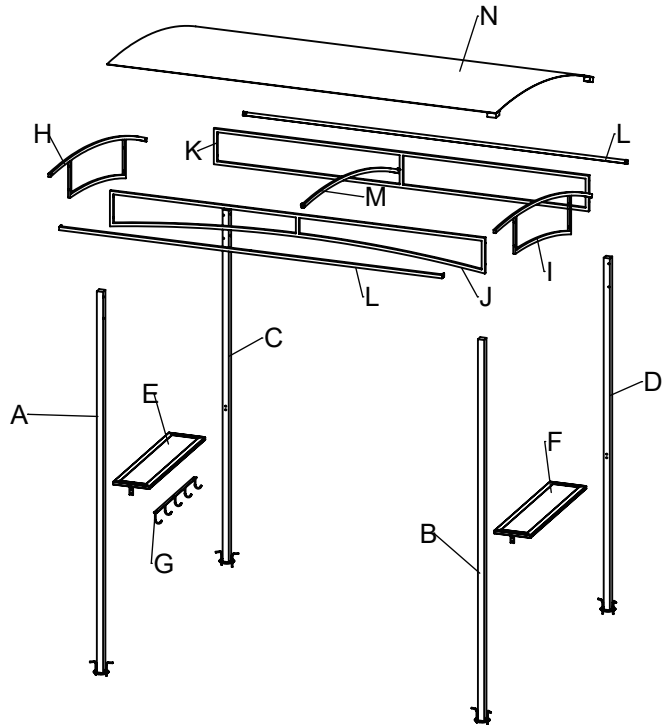


**Curved Top Grillzebo With Shelves**  
**ASSEMBLY INSTRUCTIONS**  
**S-K-737GRZE-1**



# Parts

A	long leg post	1
B	long leg post	1
C	short leg post	1
D	short leg post	1
E	glass shelf	1
F	glass shelf	1
G	hook	1
H	side top crossbar	1
I	side top crossbar	1
J	top beam	1
K	top beam	1
L	connector bar	2
M	connector bar	1
N	canopy	1



## Hardware

Oa x 9 + 1 spare  
Short bolt



Ob x 8 + 1 spare  
Medium bolt



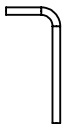
Oc x 16 + 1 spare  
Long bolt



Od x 33  
Metal washer



Oe x 8  
Lawn Stake



Of x 2  
Allen wrench



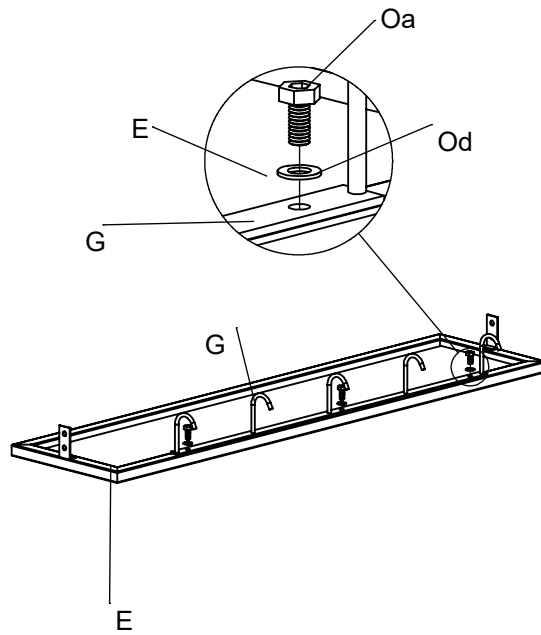
# Assembly instruction

1

Oa x 3  
Short bolt



Od x 3  
Metal washer



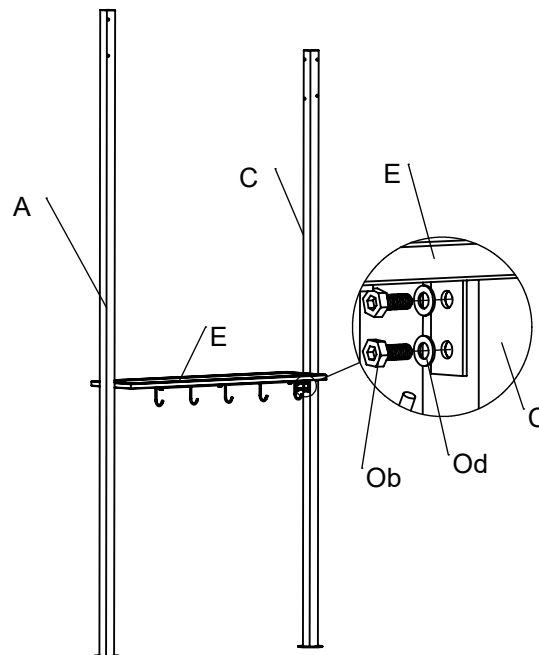
Do not tighten completely.  
Repeat procedure for the other two holes.

2

Ob x 4  
Medium bolt

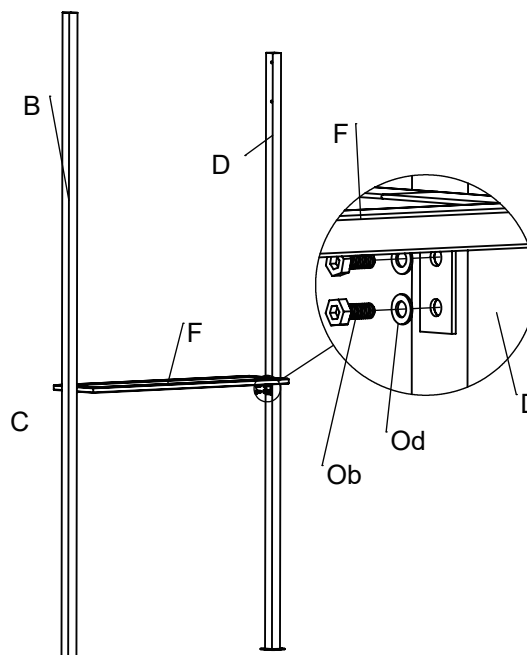


Od x 4  
Metal washer



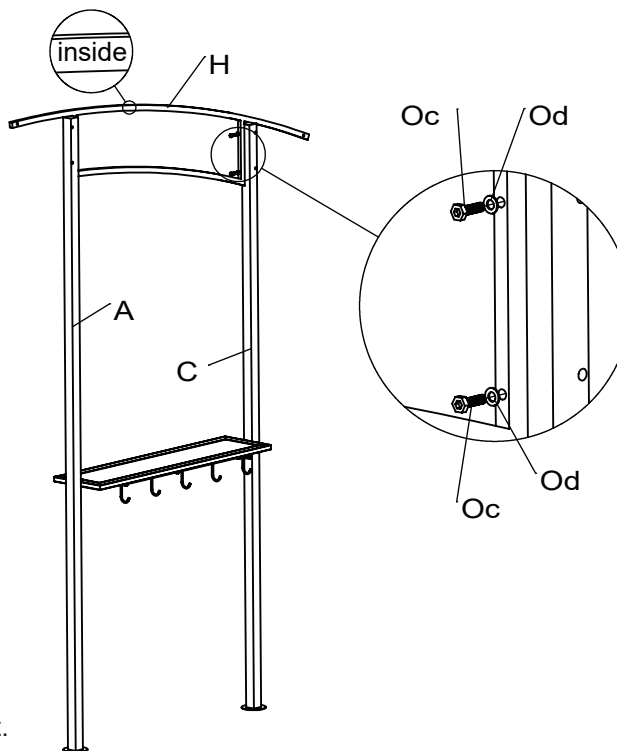
Do not tighten completely.  
Repeat procedure for the other leg post.

- 3
- Ob x 4  
Medium bolt
  - Od x 4  
Metal washer



Do not tighten completely.  
Repeat procedure for the other leg post.

- 4
- Oc x 4  
Long bolt
  - Od x 4  
Metal washer



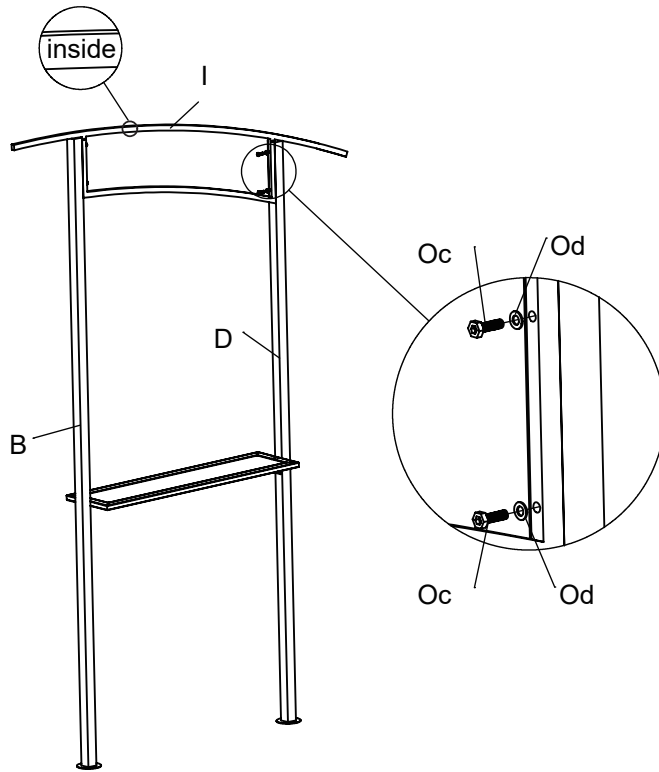
Do not tighten completely.  
Repeat procedure for the other leg post.

5

Oc x 4  
Long bolt



Od x 4  
Metal washer



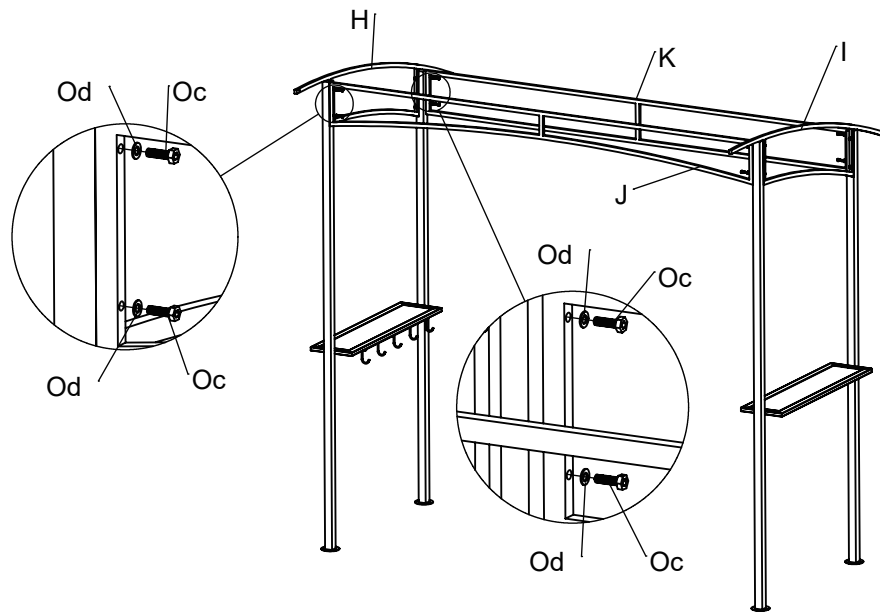
Do not tighten completely.  
Repeat procedure for the other leg post.

6

Oc x 8  
Long bolt

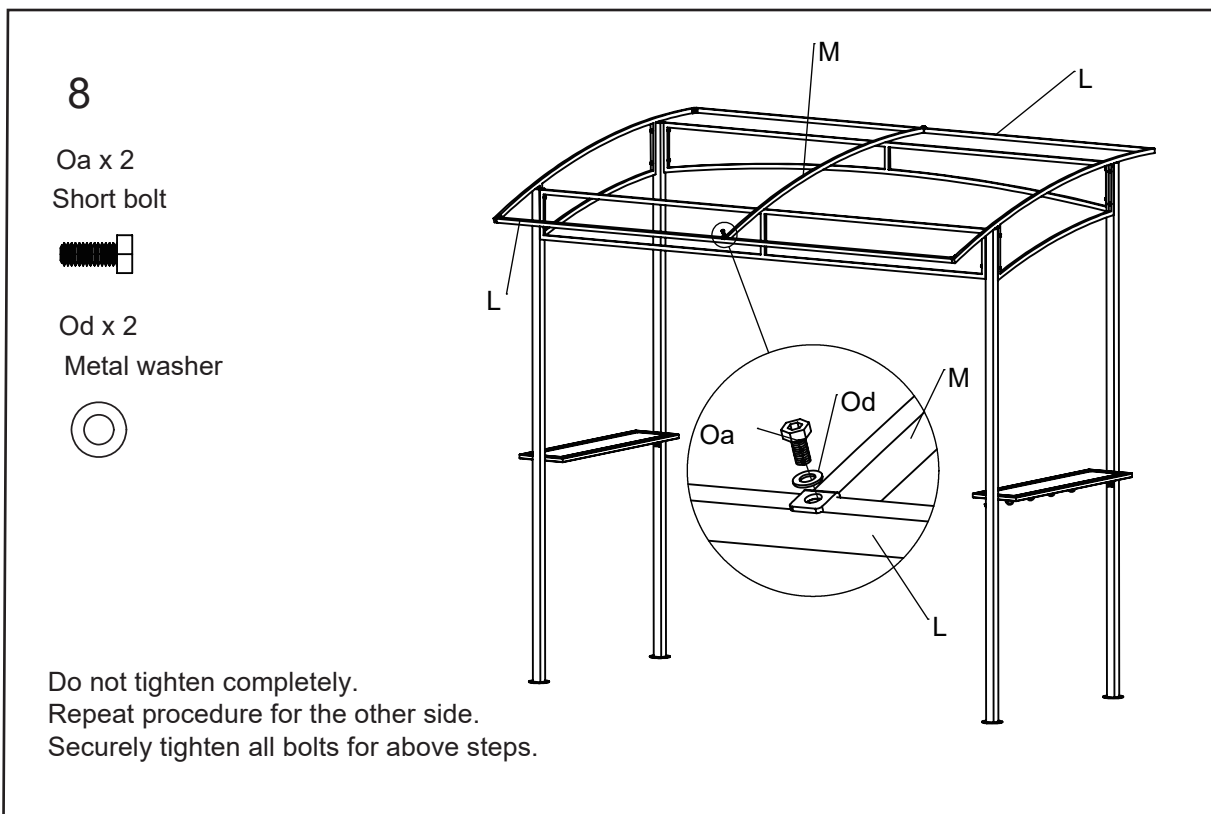
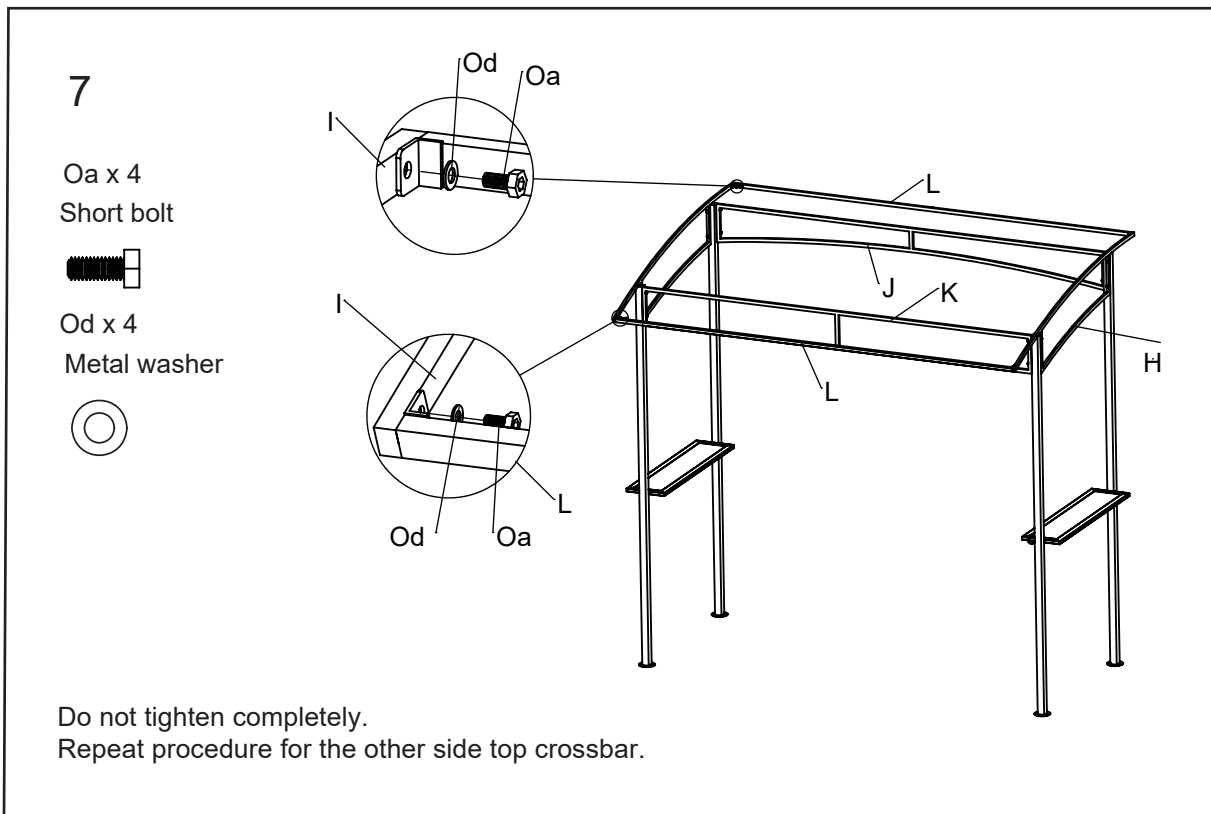


Od x 8  
Metal washer



Do not tighten completely.  
Repeat procedure for the other side.

## Assembly instruction



## Assembly instruction

