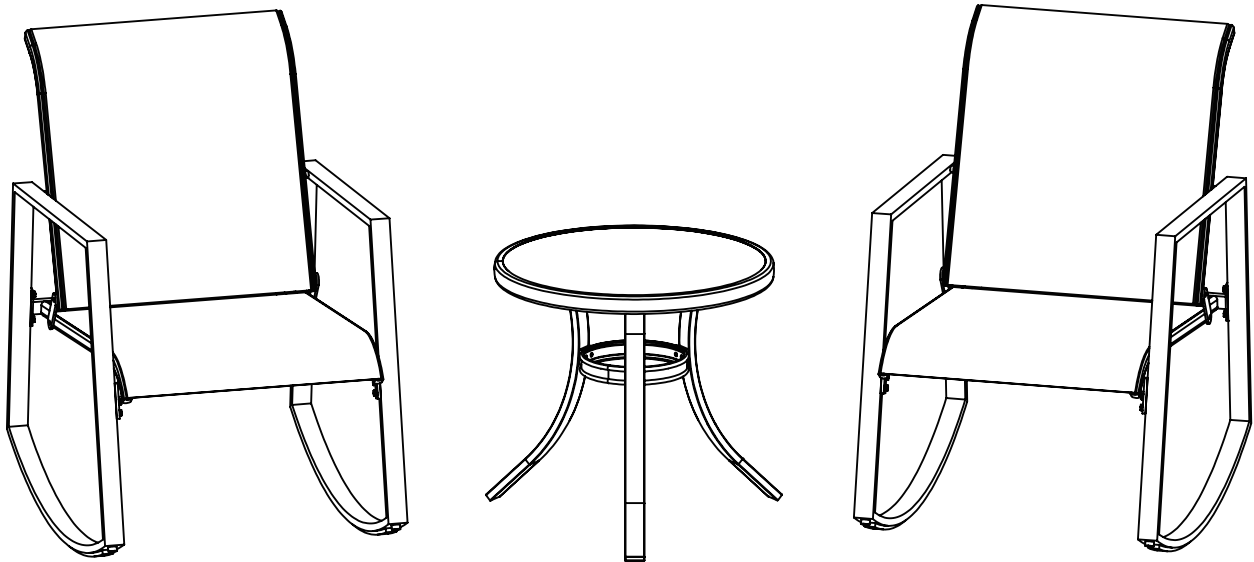


Aurora 3 piece sling seating set
ASSEMBLY INSTRUCTIONS
SS-K-601-1ERC/3

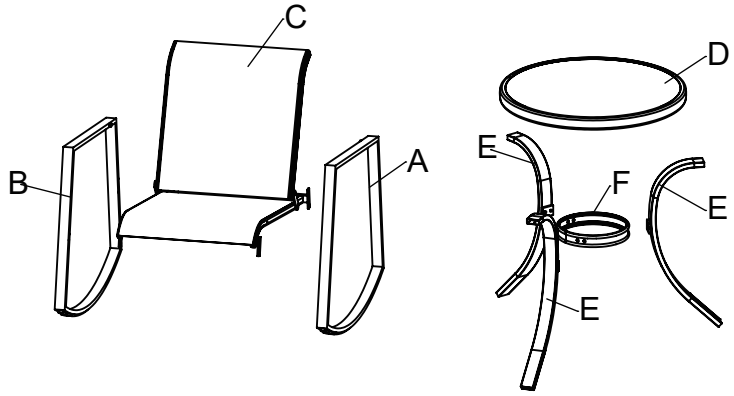


Questions, problems, missing parts with this product? Do not return to your retailer, please call our customer service department 9:00 a.m. to 5:00 p.m. Eastern Standard Time Monday through Friday Phone # 1-800-457-4652 or contact us at www.numarkcustomerservice.com



Parts

A	left chair leg	2
B	right chair leg	2
C	seat and back	2
D	table top	1
E	metal table leg	3
	(2 Metal Washers and 2 Bolts attached for each)	
F	center ring	1



Hardware

Ga x 3
Screw



Gb x 16 + 1 spare
Short bolt



Gc x 4
Long bolt



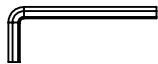
Gd x 20
Metal washer



Ge x 1 spare
Glass Bumper



Gh x 1
Allen wrench



Assembly instruction

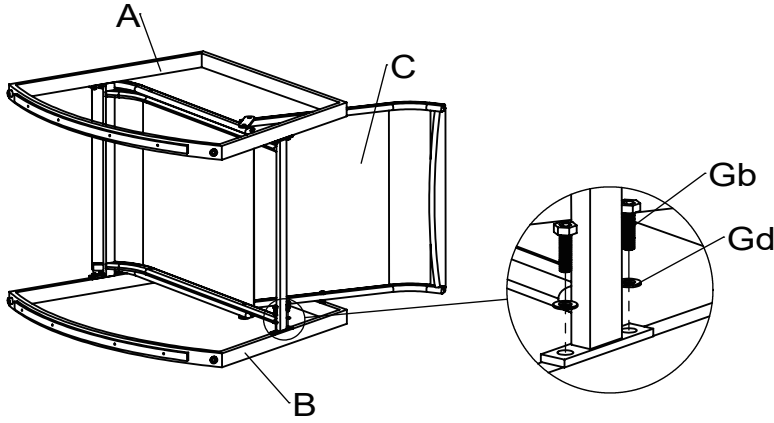
1

Gb x 4
Short bolt

Gd x 4
Metal washer

Do not tighten completely.
Repeat procedure for the other side.

2



Gb x 4
Short bolt

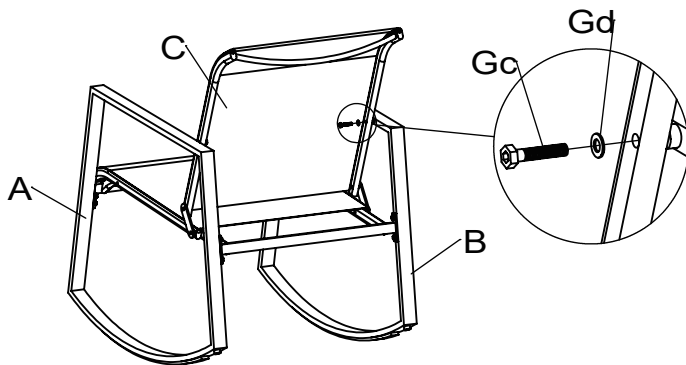


Gd x 4
Metal washer



Do not tighten completely.
Repeat procedure for the other side.

3



Gc x 2
Long bolt

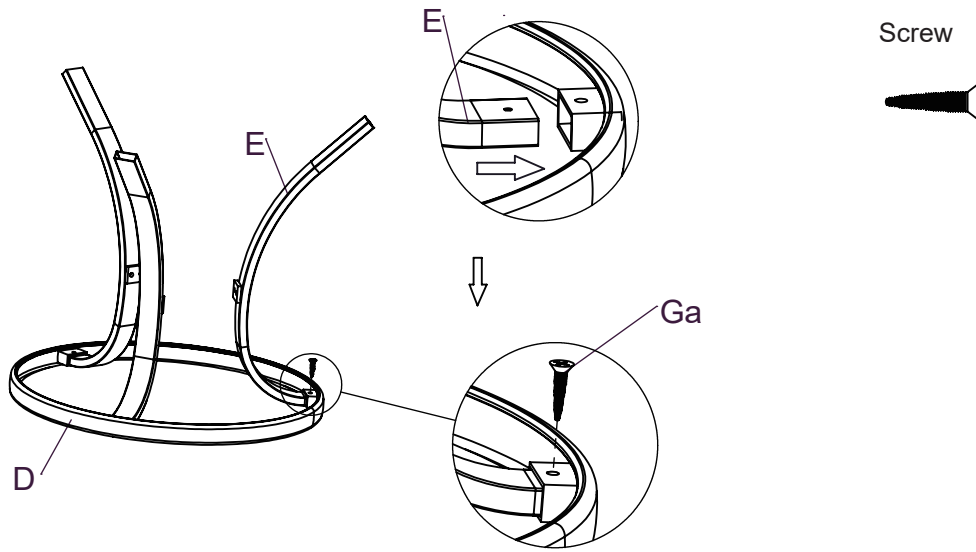


Gd x 2
Metal washer



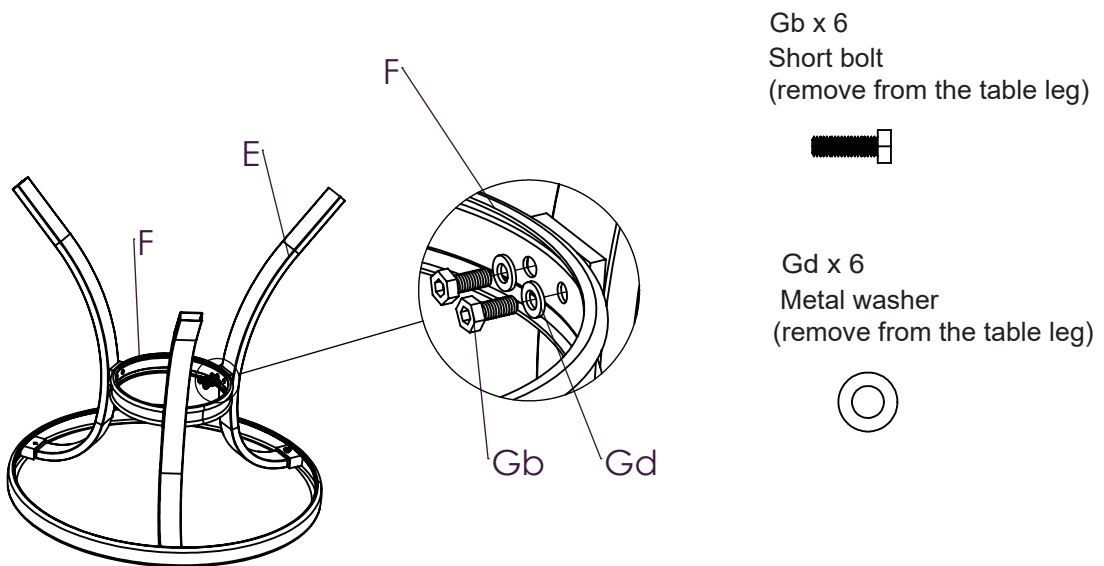
Do not tighten completely.
Repeat procedure for the other side.
Securely tighten all bolts.

4



Do not tighten completely. Repeat procedure for the other two legs.

5



Turn over the whole table and keep flat.

Securely tighten all bolts.

Your side table is now ready for use.