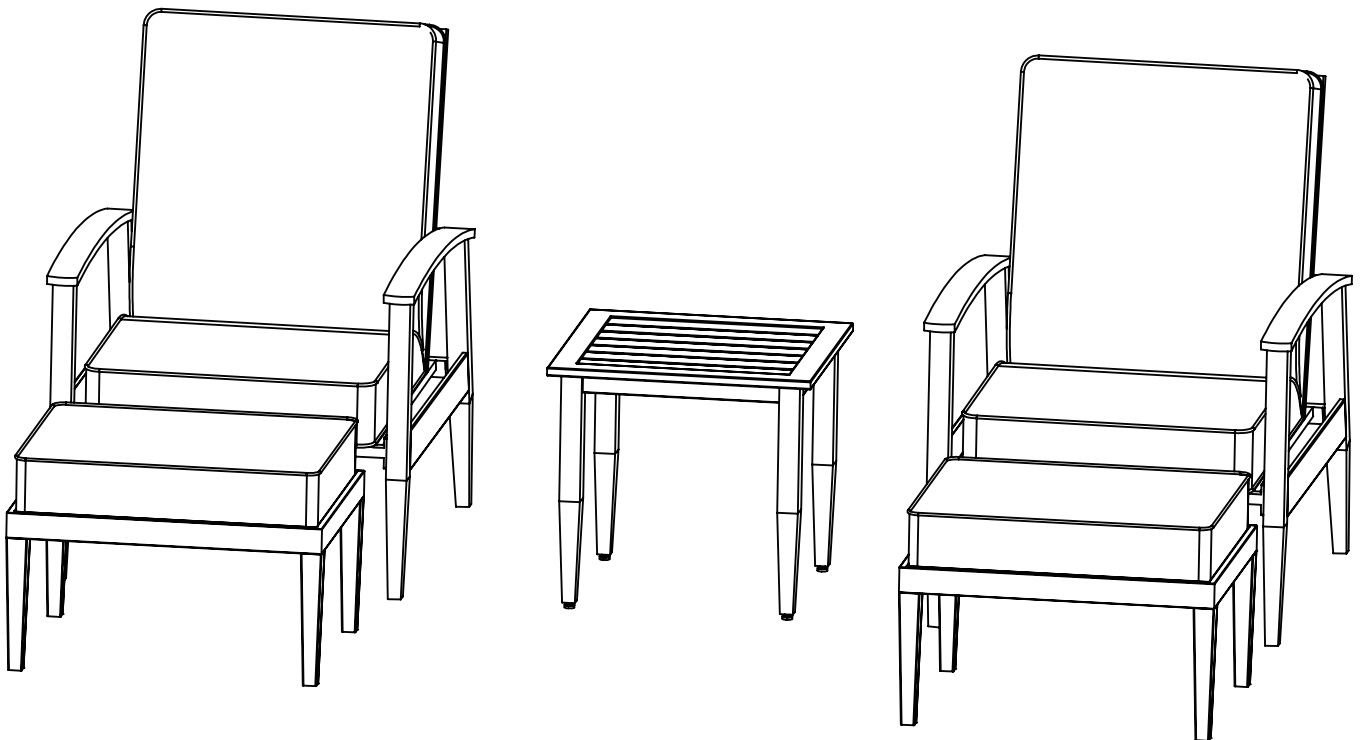


ASSEMBLY INSTRUCTIONS
CYPRESS LAKE 5 PIECE CUSHION SEATING SET
ITEM#SC-K-117SFE/5
SKU#810459659

Questions, problems, missing parts with this product? Please contact us at www.numarkcustomerservice.com



ACCESSORIES

Ja (1 spare)
Short Bolt



Jb (16 + 1 spare)
Medium Bolt



Jc (4)
Long Bolt



Jd (16)
Metal Washer



Je (1)
Allen Wrench



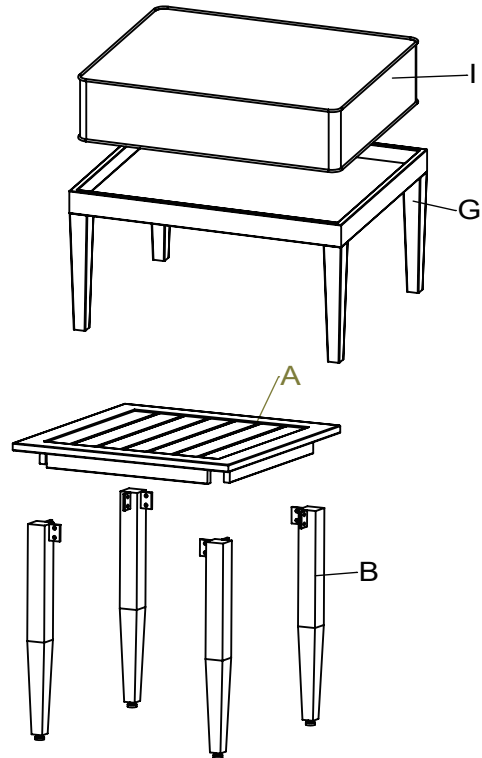
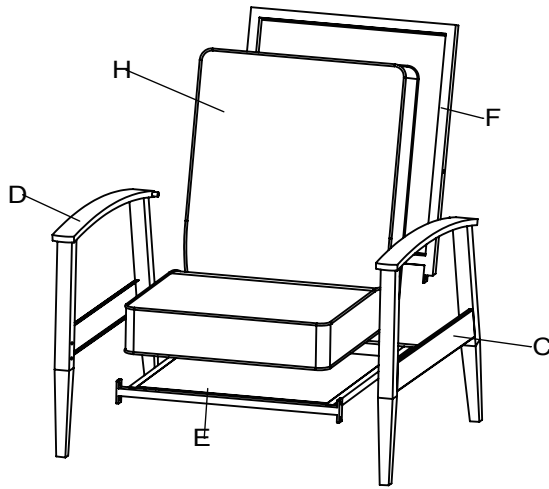
PARTS

Read through all the instructions before beginning assembly. Unpack and identify all the parts. Place them on a flat, non-abrasive surface. Assembly by two people is recommended.

Weight Limit

Chair: 250LBS
 Ottoman: 250LBS
 Table: 50LBS

ITEM	DESCRIPTION	QUANTITY	ITEM	DESCRIPTION	QUANTITY
A	Tabletop (16 Metal Washers and 16 Bolts attached)	1	G	Ottoman Frame	2
B	Table Leg	4	I	Cushion	2
C	Left Arm	2			
D	Right Arm	2			
E	Seat	2			
F	Back	2			
H	Seat and Back Cushion	2			



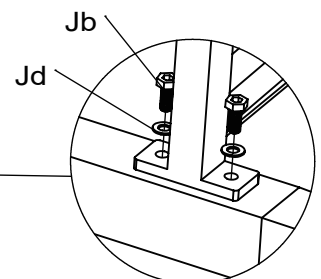
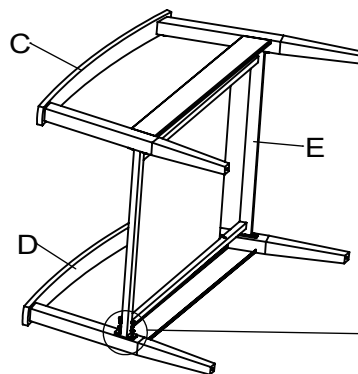
ASSEMBLY INSTRUCTIONS

SOFA ASSEMBLY

1 Jb x 4
 Medium Bolt



Jd x 4
 Metal Washer



Don't tighten completely. Repeat procedure for the other side.

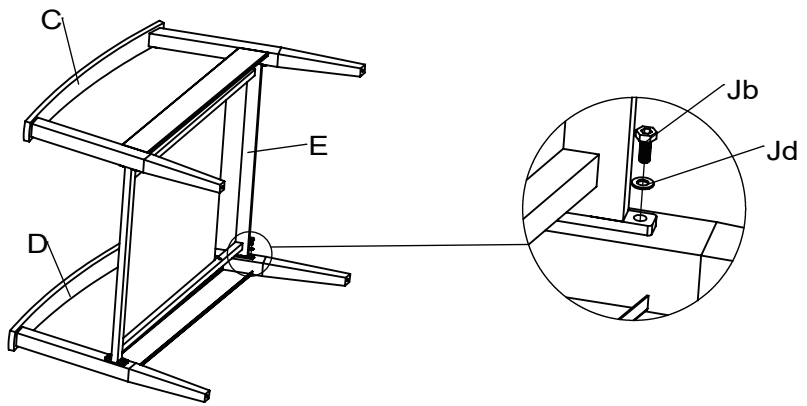
ASSEMBLY INSTRUCTIONS

2

Jb x 2
Medium Bolt



Jd x 2
Metal Washer



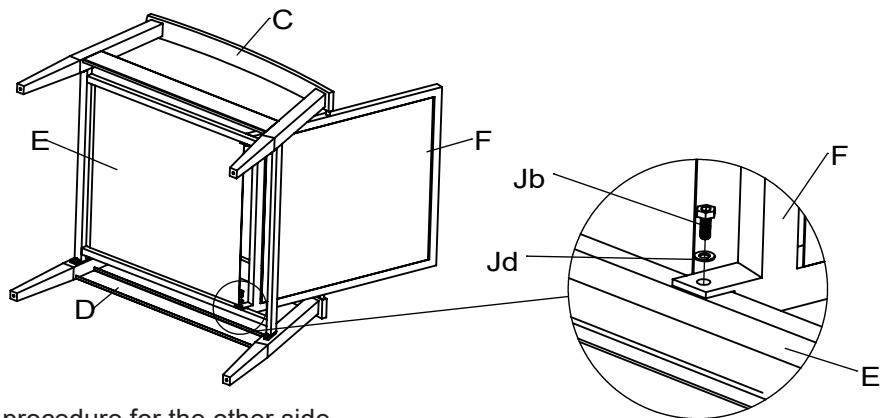
Don't tighten completely. Repeat procedure for the other side.

3

Jb x 2
Medium Bolt



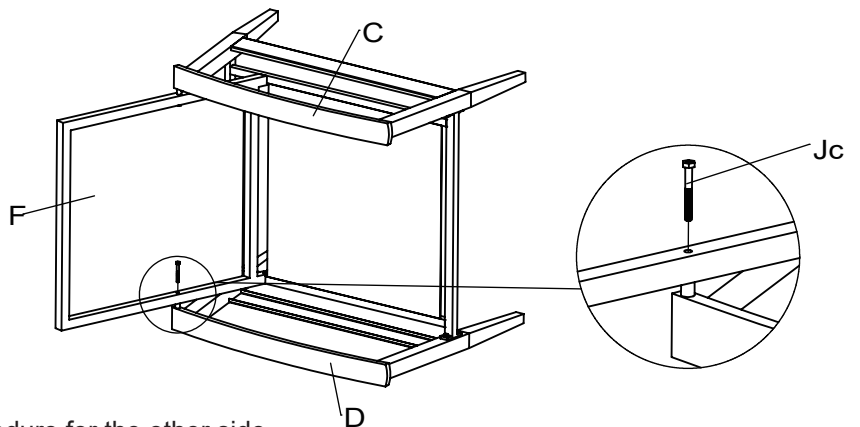
Jd x 2
Metal Washer



Don't tighten completely. Repeat procedure for the other side.

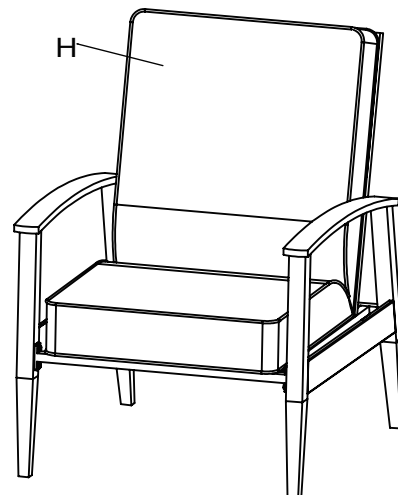
4

Jc x 2
Long Bolt



Don't tighten completely. Repeat procedure for the other side.

5



Securely tighten all bolts. Repeat procedure for the other chair.

ASSEMBLY INSTRUCTIONS

OTTOMAN ASSEMBLY

6

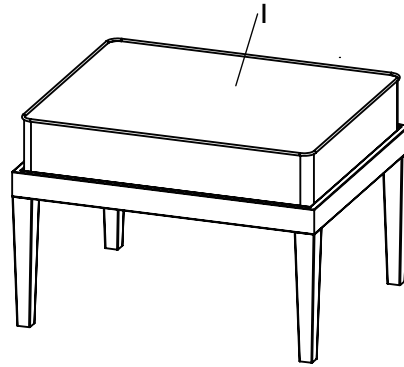
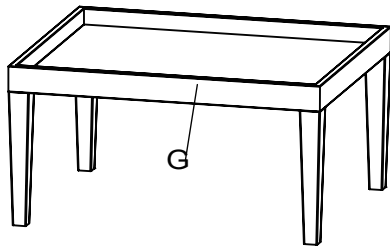


TABLE ASSEMBLY

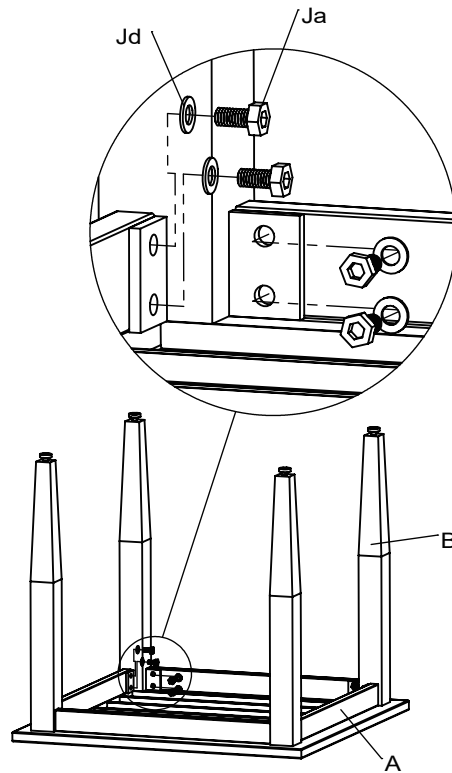
7 Ja x 16
Short Bolt
(remove from the tabletop)



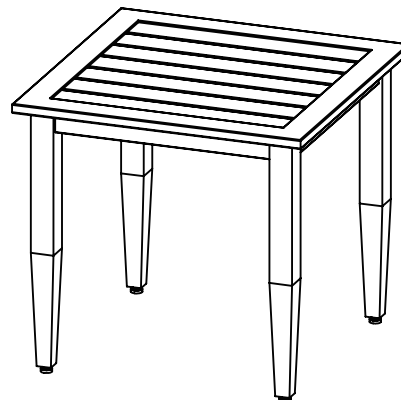
Jd x 16
Metal Washer
(remove from the tabletop)



Don't tighten completely.
Repeat procedure for the other three legs.



8



Securely tighten all bolts.
Readjusting level by twisting knobs on the bottom of legs as desired.
Now your seating set is ready for use.