

USE AND CARE GUIDE

HARRISON 5 PIECE BAR SET

Product code: 780-06284739-7 / D71 M34581

UPC code: 769455 767172

Vendor Item: SS-I-139NB2/4

Date of purchase: ____/____/____

Thank you for your purchase

Thank you for your purchase

We are pleased that you have chosen Sears and kmart for your outdoor furniture purchase. We hope that you enjoy the unmatched quality, comfort, and style of your new patio set. Every piece is meticulously considered all the way down to the smallest details, exclusively for you, by our world class design team. We know you have a choice when it comes to your patio furniture needs, so from our team to yours, thank you for letting us be a part of your outdoors.

Table of Contents

Table of Contents.....	2
Safety Information.....	3
Set Up your Furniture Properly.....	3
Examine your furniture.....	3
Warranty.....	3
Care and Maintenance.....	4
Pre-Assembly.....	4
Planning Assembly.....	4
Observe weight Limits.....	4
Hardware Included.....	4
Assembly Instructions	
Package Content.....	5
Chair.....	5
Customer Service.....	6

Safety Information

SET UP YOUR FURNITURE PROPERLY

- Ensure that all parts are assembled properly and fully tightened as per the instructions.
- When placing in the desired location, ensure that all legs are resting on the same surface. You may adjust the legs levelers as required to ensure that the item stands in a rigid position.

EXAMINE YOUR FURNITURE

- Examine occasionally to ensure that there are no loose parts. If loose parts are found, they must be retightened fully before additional use.

Warranty

WARRANTY

We warrant our products to be free of manufacturing defects to the original purchaser for the period listed below. We reserve the right to make substitutions with similar merchandise, if the model in question is no longer in production.

EXCLUSIONS

This warranty does not cover: Furniture used for commercial or non-residential purposes; failures caused by improper care; unreasonable or abusive use; freeze damage; acts of nature. Steel products are not covered against rust.

GLASS

If your tempered glass table top breaks within the 1 year warranty, please call your local Sears/Kmart Store and they can order you a new one. Table tops must be picked up at your local store. Please have sales check handy to verify purchase date.

FINISH

Frame finish is warranted to be free of manufacturing defects for a period of one (1) year. Discoloration or fading of the finish as a result of exposure to the elements, chemicals, or spills is not covered.

FABRIC

Fabric is warranted to be free of manufacturing defects for a period of one (1) year. Discoloration or fading of the finish as a result of exposure to the elements, chemicals, or spills is not covered.

FRAMES

Frame is warranted to be free from defects in material or workmanship for a period of two (2) years for steel frame. This product is made with a steel frame.

FREIGHT & PACKAGING

Freight and packaging are the responsibility of the original purchaser.

CUSTOMER SERVICE

In case of a problem, call 1-800-457-4652 between 9:00 am to 5:00 pm Eastern standard time Monday through Friday or contact us at www.numarkcustomerservice.com for any question or problems you may have.

Care and Maintenance

- Though its powder-coated finish is rust-resistant, steel is prone to rust over time with exposure to the elements. In case of rust or scratches, lightly sand the affected area and apply touch-up paint. To maintain the finish periodically apply wax with a soft cloth.

Pre-Assembly

PLANNING ASSEMBLY

Read through all the instructions before beginning assembly. Unpack and identify all the parts. Place them on a flat, non-abrasive surface. Assembly by two people is recommended.

OBSERVE WEIGHT LIMITS

The recommended weight limits for the following products are listed below:

- Chair: 225 lbs



CAUTION: If you overload your furniture, injuries can occur.

HARDWARE INCLUDED



NOTED: Hardware not shown to actual size.

Ca (8+ 1 spare)
Short Bolt



Cb (8 + 1 spare)
Long Bolt



Cc (16)
Metal Washer



Cd (1)
Allen Wrench



Ce (1)
Assembly Instructions
Sheet



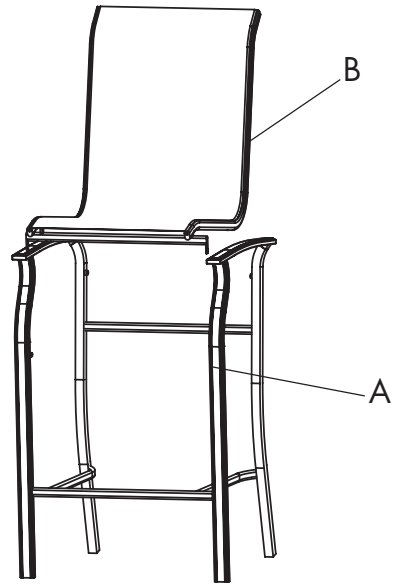
Safety Information

Do not completely tighten bolts and nuts until indicated in assembly step.

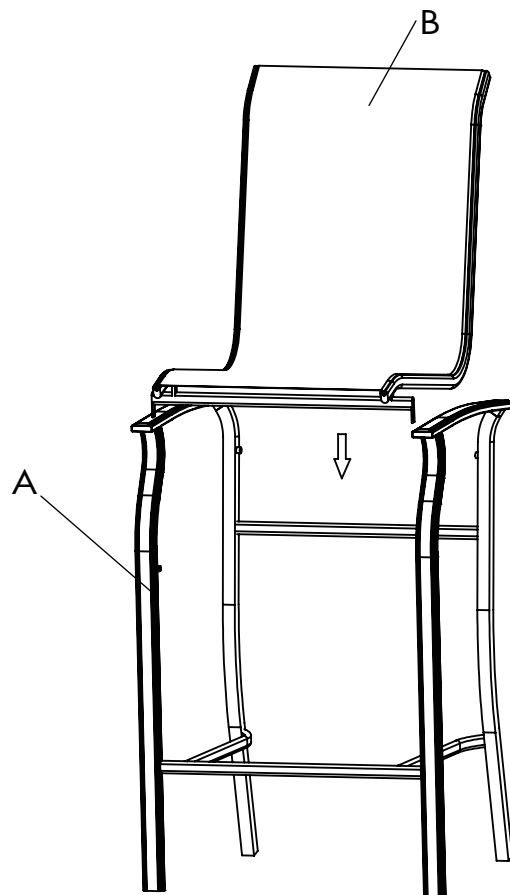
Assembly Instructions

Package Contents

ITEM	DESCRIPTION	QUANTITY
A	Chair Frame	4
B	Sling Seat and Back	4



1 Inserting the sling seat and back to the chair frame



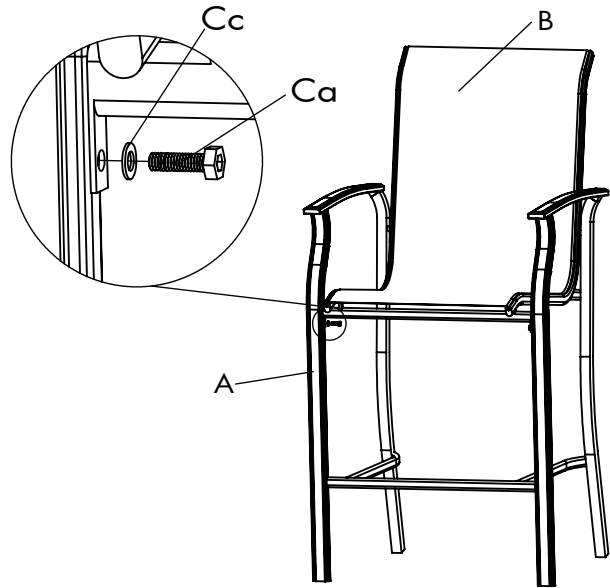
Assembly Instructions

2 Attaching the sling seat and back to the chair frame

Ca x 2
Short Bolt



Cc x 2
Metal Washer



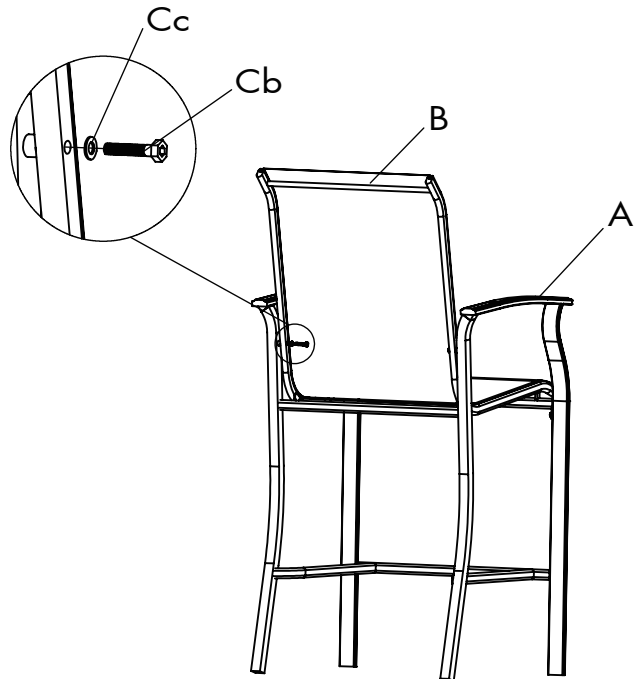
- Don't tighten completely.
- Repeat procedure for the other side.

3 Attaching the sling seat and back to the chair frame

Cb x 2
Long Bolt



Cc x 2
Metal Washer



- Don't tighten completely.
- Repeat procedure for the other side.
- Securely tighten all bolts.
- Repeat procedure for the remaining three chairs.

- Your bar chairs are now ready for use.

Please refer to part numbers when reordering

For questions or comments about product:

Call toll-free: 1-800-457-4652

between 9:00 am to 5:00 pm Eastern standard time Monday through Friday
or contact us at www.numarkcustomerservice.com

Made in / Hecho en CHINA

Distributed by Sears, Roebuck and Co., Hoffman Estates, IL 60179
sears.com SHOP kmart.com

See our extensive assortment of outdoor living products
on-line at www.sears.com and www.kmart.com

