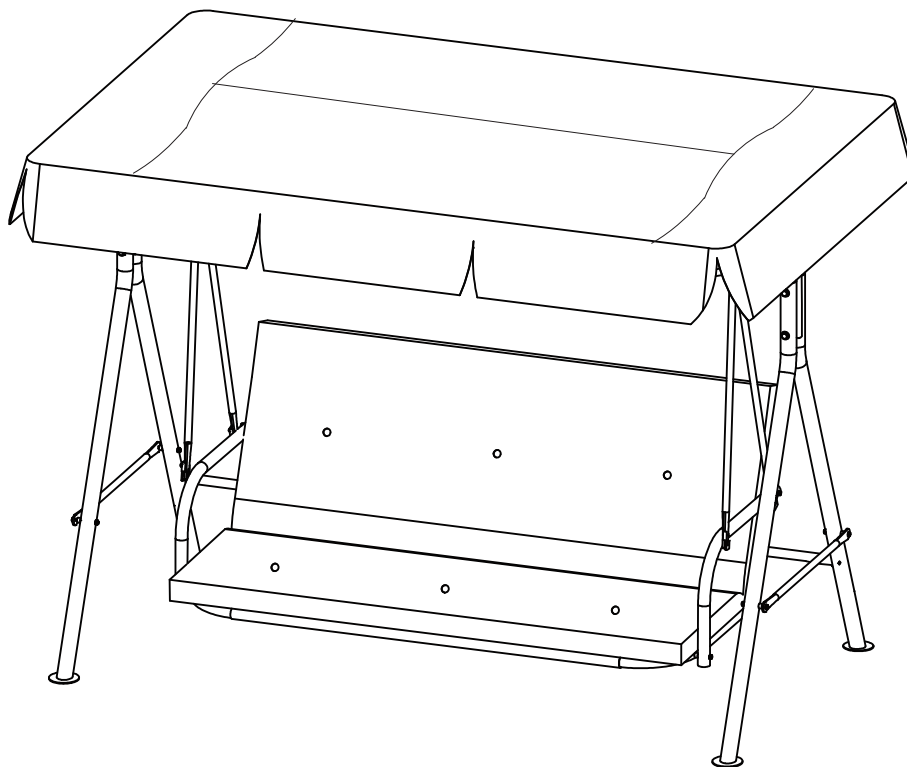




# 3-Seat Cushioned Swing

Product No. 088-1520-8

Model No. N88-1520



## Assembly Instructions

**Toll-free: 1-877-483-6759**

**IMPORTANT:** Please read and understand this manual before any assembly. Before beginning assembly of product, make sure all parts are present. Compare parts with packaging contents list. If any part is missing, or if you have any questions, call our Toll-free number at 1-877-483-6759.

Table of Contents	2
Important Safety Instructions	2
Part List	3
Assembly	4-9
Cleaning and Maintenance	10
Technical Data	10
Warranty	10

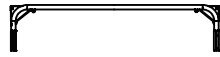


**Warning!** To reduce the risk of serious injury, read the following safety instructions before assembling and using the product.

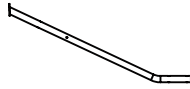
**Caution!** Always keep children under close supervision while they are using or around this product. Never leave children unattended.

- This product is intended for domestic outdoor use only.
- The product should be placed on flat horizontal ground.
- Ensure enough clearance around the product. Before assembling the product, find level ground not less than 6' (1.8 m) away from any structures or obstructions, such as fences, garages, houses, overhanging branches, laundry lines, or electrical wires.
- Any assembly or maintenance of the product must be carried out by adults only.
- Arrange necessary manpower when assembling or moving the product.
- Some parts may contain sharp edges. Wear protective gloves if necessary.
- Keep children and pets away while setting up the product.
- Check all nuts and bolts periodically for tightness. When required, tighten them again.
- Repairing and replacing parts should be done by a qualified technician.
- This is not designed to withstand harsh weather, including high winds, rain and snow.
- If the product will not be used for a longer period (e.g. wintertime), it should be stored in a clean, dry environment.
- Do not light any fires on or near the product!
- Stay calm if fire breaks out. Do not return to the product before firefighters allow you to do so.
- Retain the original packaging to store the product.

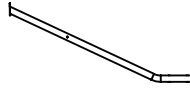
**1**  
Top frame bar 1 - 1



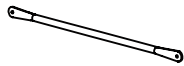
**2**  
Front leg 2 - 2



**3**  
Rear leg 3 - 2



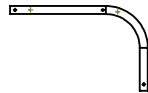
**4**  
Support crossbar 4 - 2



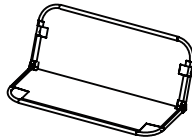
**5**  
Rear crossbar 5 - 1



**6**  
Arm 6 - 2



**7**  
Seat and back 7 - 1



**8**  
Hanging bar 8 - 4



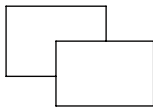
**9**  
Canopy side bar 9 - 2



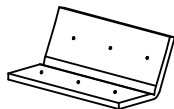
**10**  
Canopy edge bar 10 - 2



**11**  
Canopy 11 - 1



**12**  
Cushion 12 - 1



**A**  
Bolt M6 x 45L - 2



**B**  
Bolt M6 x 50L - 4



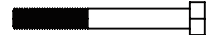
**C**  
Bolt M6 x 55L - 2



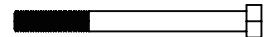
**D**  
Bolt M6 x 75L - 2



**E**  
Bolt M8 x 70L - 2



**F**  
Bolt M8 x 95L - 4



**G**  
Metal Washer M6 - 20



**H**  
Metal Washer M8 - 12



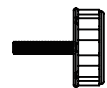
**I**  
Nut M6 - 10



**J**  
Nut M8 - 6



**K**  
Black knob - 2



**L**  
"S" Hook - 2



**Caution!**

- Do not place the product underneath electrical lines.
- Keep children away during assembly. This product contains small parts which can be swallowed by children.
- Keep fingers away from the places where they can be pinched or trapped.
- Do not attempt to assemble the product if any parts are missing.

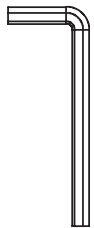
**Let us help you!****DO NOT RETURN YOUR PRODUCT TO THE STORE. CALL US FIRST!****1-877-483-6759**

If you have questions regarding your product, require warranty assistance, or have damaged or missing parts, please call our customer service toll-free helpline. Contact us for assistance, we're here to help.

**IMPORTANT:** Please read and understand this manual before any assembly. Before beginning assembly of product, make sure all parts are present. Compare parts with packaging contents list. If any part is missing, or if you have any questions, contact the service center at 1-877-483-6759 (toll free).

Place all parts from the box in a cleared area and position them on the floor in front of you. Remove all packing materials and place them back into the box. Do not dispose of the packing materials until assembly is complete. Read each step carefully before beginning any assembly and make sure you understand each step. If you are missing a part, please call our toll-free number for assistance 1-877-483-6759.

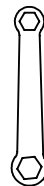
Needed for assembly:



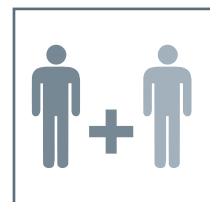
Allen Wrench



Open Hex Wrench



Hex Wrench

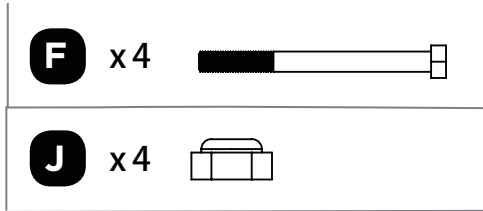


2 people

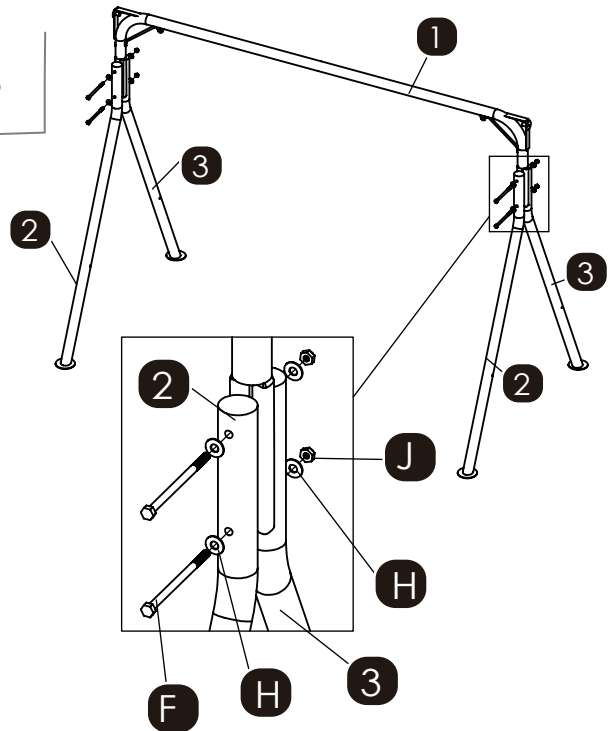
### Step 1

Requires: 1, 2, 3, F, H, J

Attach the Top frame bar 1 to the Front leg 2 and Rear leg 3.  
Do not tighten completely. Repeat procedure for the other side.



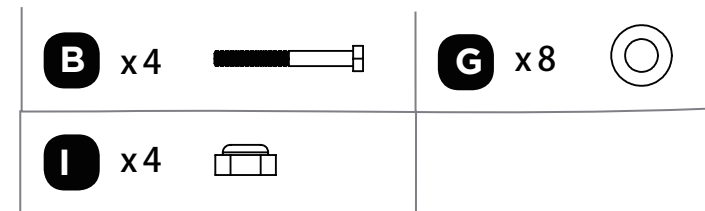
Not shown at actual size



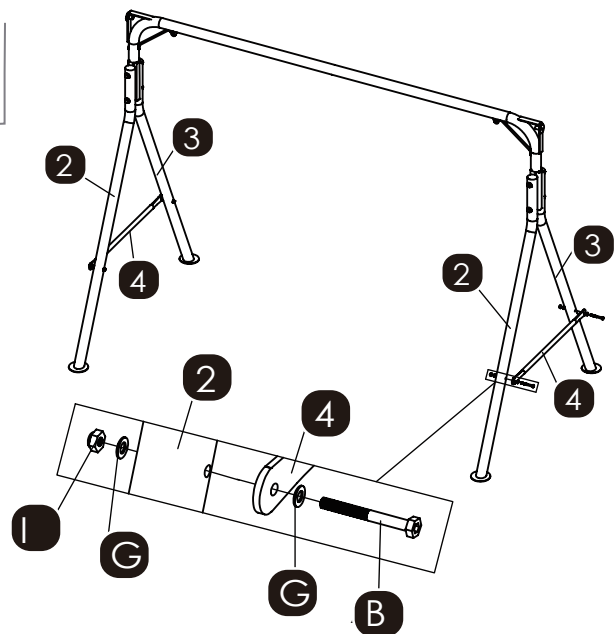
### Step 2

Requires: 2, 3, 4, B, G, I

Attach the Support bar 4 to the leg 2 & 3. Do not tighten completely.  
Repeat procedure for the other side.



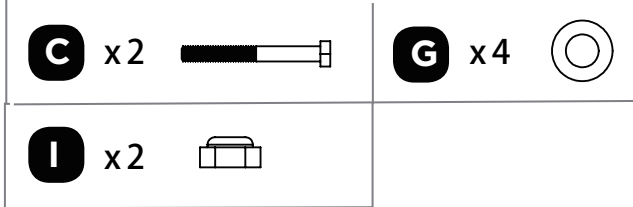
Not shown at actual size



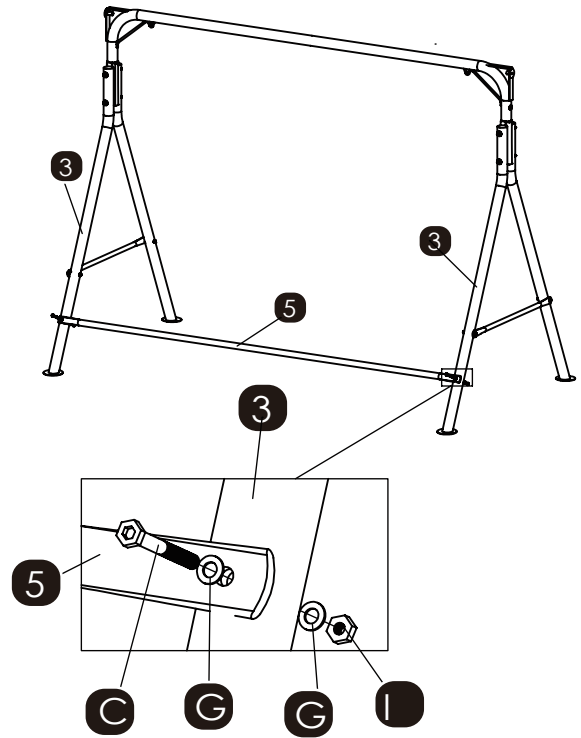
### Step 3

Requires: **3, 5, C, G, I**

Attach the Rear crossbar **5** to the Rear leg **3**. Don't tighten completely, repeat procedure for the other side.



Not shown at actual size

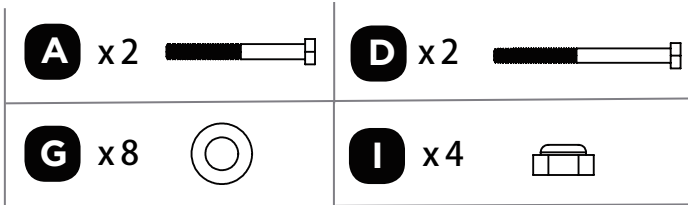


### Step 4

Requires: **6, 7, 8, A, D, G, I, E, H, J**

(4a)

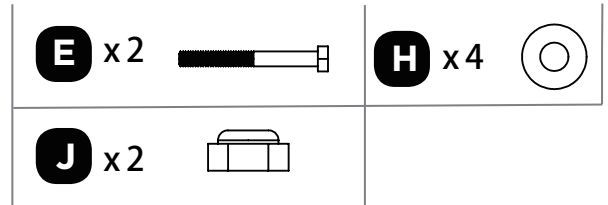
First attach the Hanging bar **8** to Arms **6** and Seat and back **7**, then attach the Hanging bar **8** to Arm **6**. Don't tighten completely. Repeat procedure for the other side.



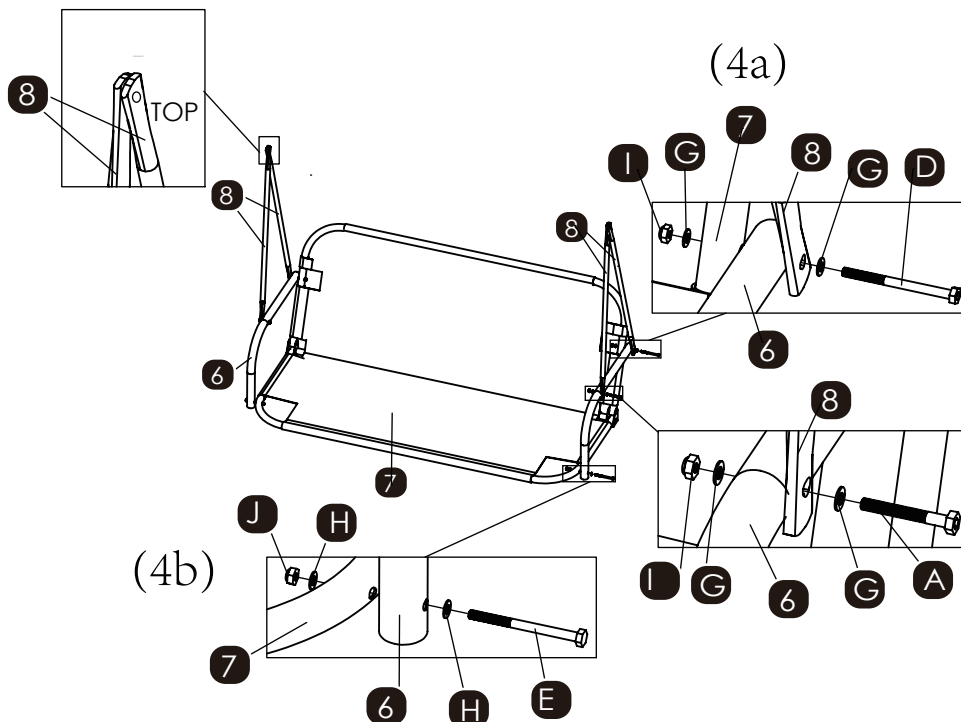
Not shown at actual size

(4b)

Attach the Seat and back **7** to assembled Arms (**6** & **8**). Don't tighten completely. Repeat procedure for the other side.



Not shown at actual size



### Step 5

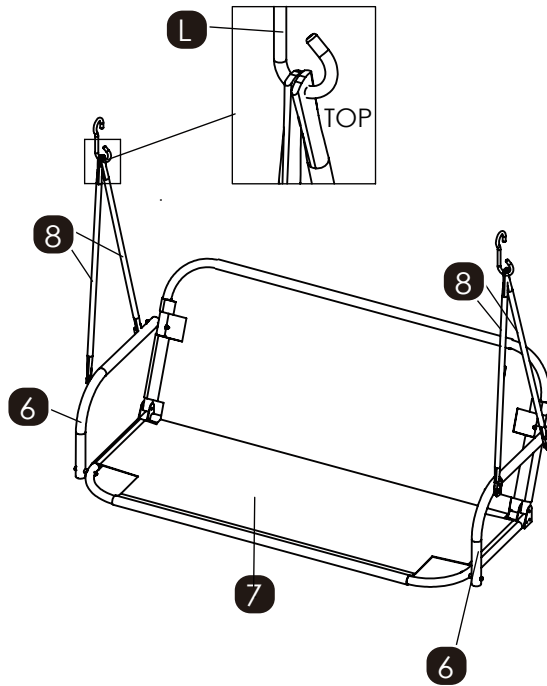
Requires: **L**

Attach the hook **L** to Hanging bars **8**, hanging the whole seat to short top frame.

Note the "TOP" label



Not shown at actual size

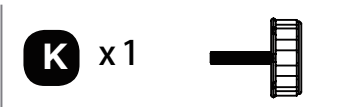


### Step 6

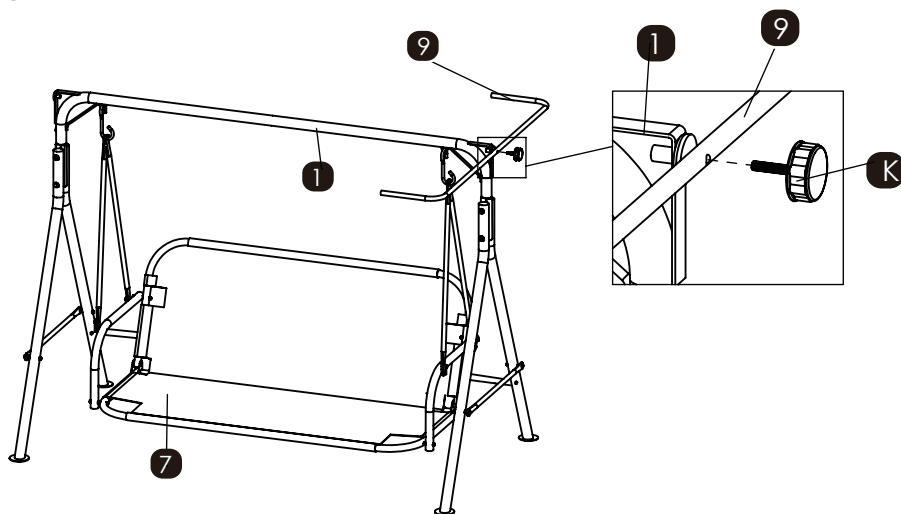
Requires: **1**, **7**, **9**, **K**

Attach the Canopy side bar **9** to the assembled top frame bar **1**.

Don't assemble for the other side.



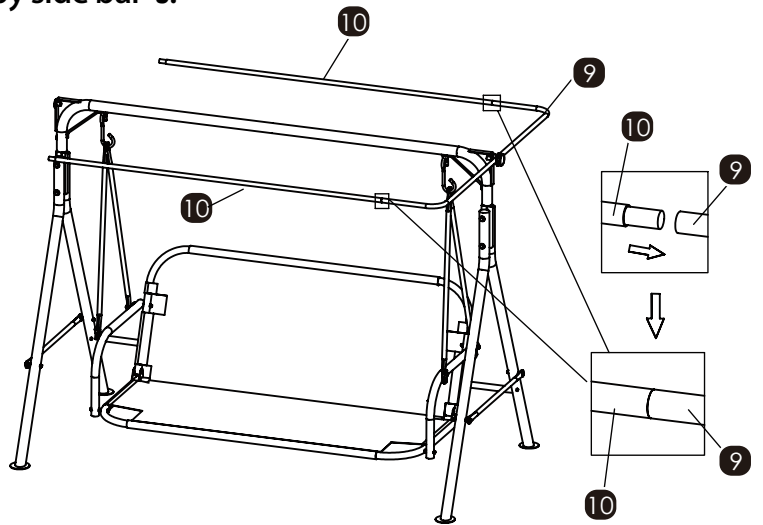
Not shown at actual size



**Step 7**

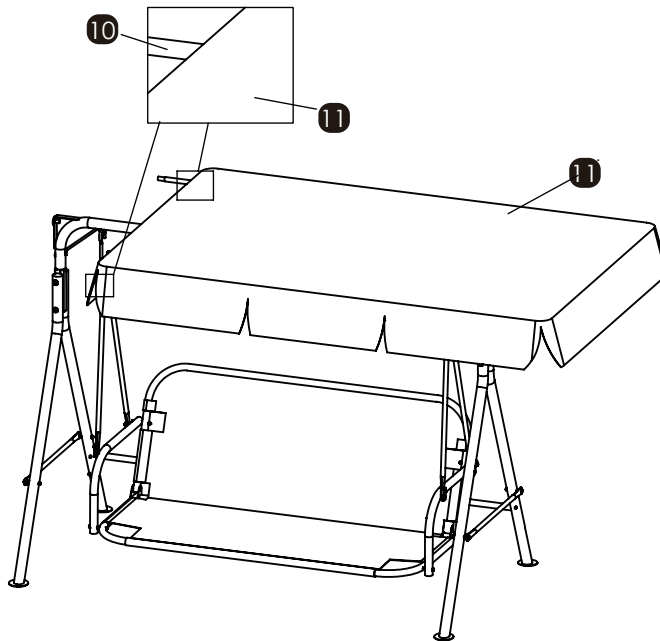
Requires: 9, 10

Insert the Canopy edge bar 10 to the Canopy side bar 9.  
Don't assemble for the other side.

**Step 8**

Requires: 10, 11

Attach the Canopy 11 then insert the Canopy edge bar 10 to the Canopy 11.



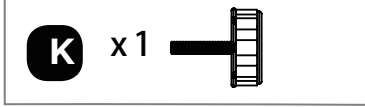


### Step 9

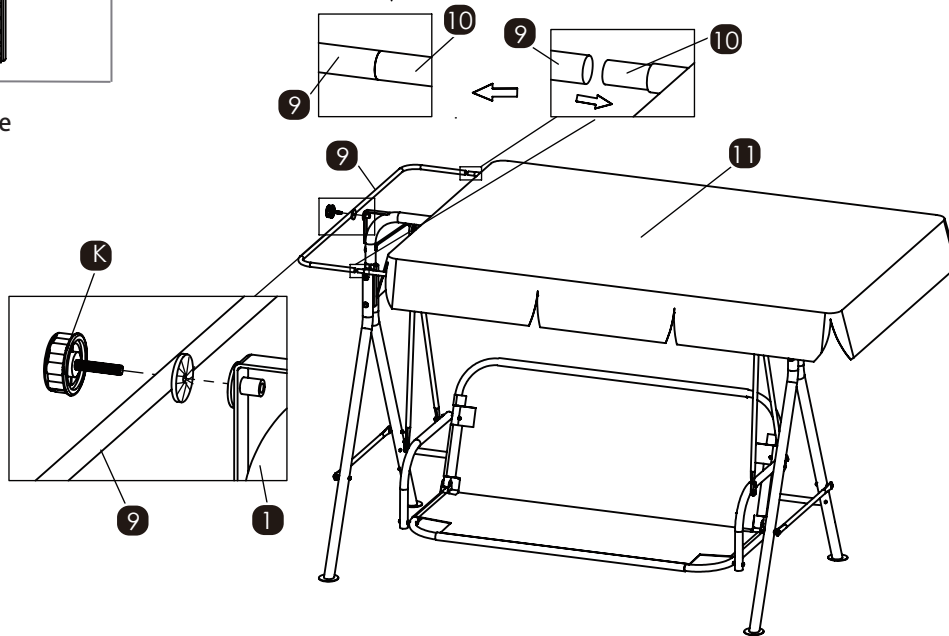
Requires: **9, 10, 11, K**

Repeat procedure for the steps 6 and 7.

Make sure all bolts and nuts are securely tightened.



Not shown at actual size

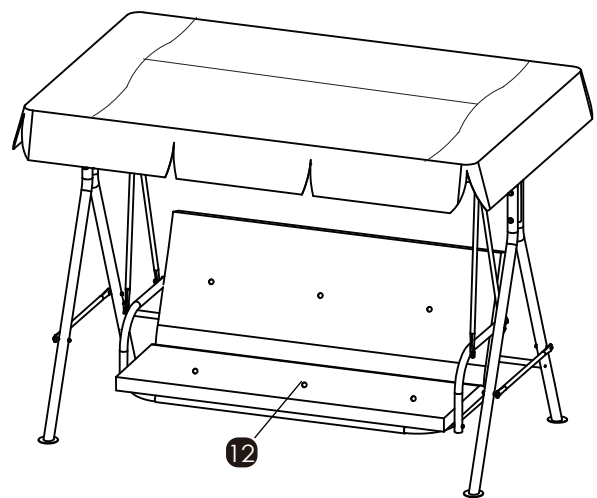
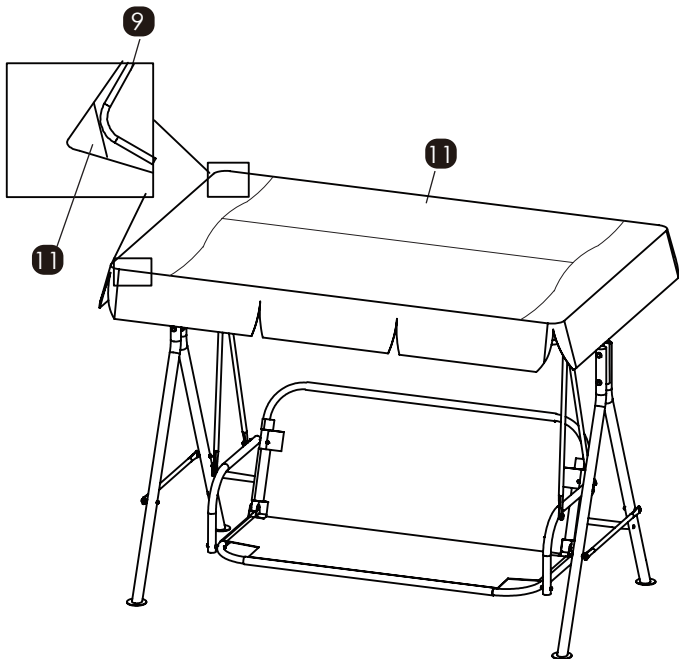


### Step 10

Requires: **12**

Pull down the Canopy and put the Cushion 12 on the Seat and back.

Your swing is now ready for use. Enjoy!





### Caution!

- Check all bolts periodically for tightness, fastening them again as required.
- Disassemble the product in the reverse order of the assembly steps. Always disassemble the product completely. A partially disassembled product is not stable enough to resist wind and bad weather, and therefore can be damaged and/or cause damage.
- Clean the product with mild soap and water. Rinse thoroughly, and wait until the product is dry before reassembling it.

- For washing the fabric parts: - Spread the fabric and use a soft bristle brush to clean;
  - Always use a natural soap, never detergent;
  - Water should be cold to lukewarm, never more than 25 degrees;
  - Air dry only, do not spin in washing machine nor hand squeeze.
- Do not use bleach, acid, or other abrasive cleaners on the canopies or frame parts.
- Steel components of garden accessories and furniture are treated with rust inhibiting paint. However, due to the nature of steel, surface oxidation (rusting) will occur if this protective coating is scratched. This is a natural process. To minimize this condition, it is recommended that care be taken when assembling and handling the product, in order to prevent the paint from being scratched.

Dimensions (L x W x H)	120 x 184 x 160 cm
	47 x 72.5 x 63"
Product weight	24 kg
	52.8 lb

This For Living product carries a one (1) year warranty against defects in workmanship and materials. Trileaf Distribution agrees to replace the defective product free of charge within the stated warranty period, when returned by the original purchaser with proof of purchase. This product is not guaranteed against wear or breakage due to misuse and/or abuse.