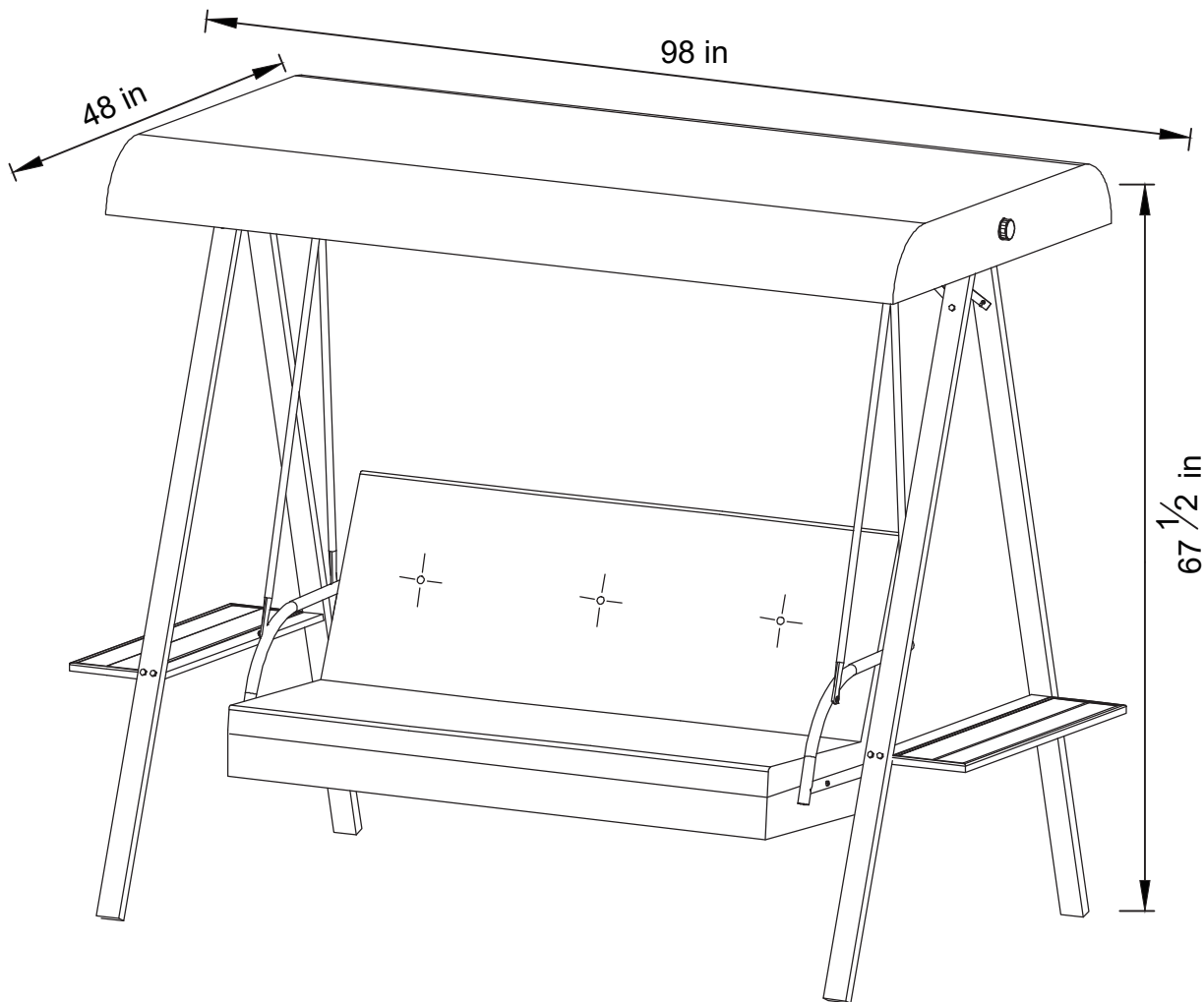


3 PERSON SWING-SLAT TABLES

Instruction Manual

SKU# 1700590

Please read instructions carefully before use. Retain for future reference

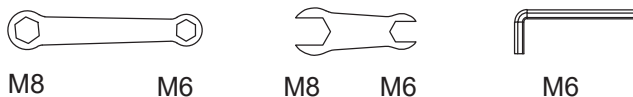


Distributed by:
 TRACTOR SUPPLY COMPANY
 5401 VIRGINIA WAY,
 BRENTWOOD TN 37027
 For customer support,
 call: 1-888-376-9601
www.TractorSupply.com
 MADE IN CHINA

Assembled Dimensions

Approximate assembly time: 45 Minutes	People for assembly: 	Required assembly space: Floor area 12.5 ft. x 9 ft. (3.8 m x 3 m) 
--	--	---

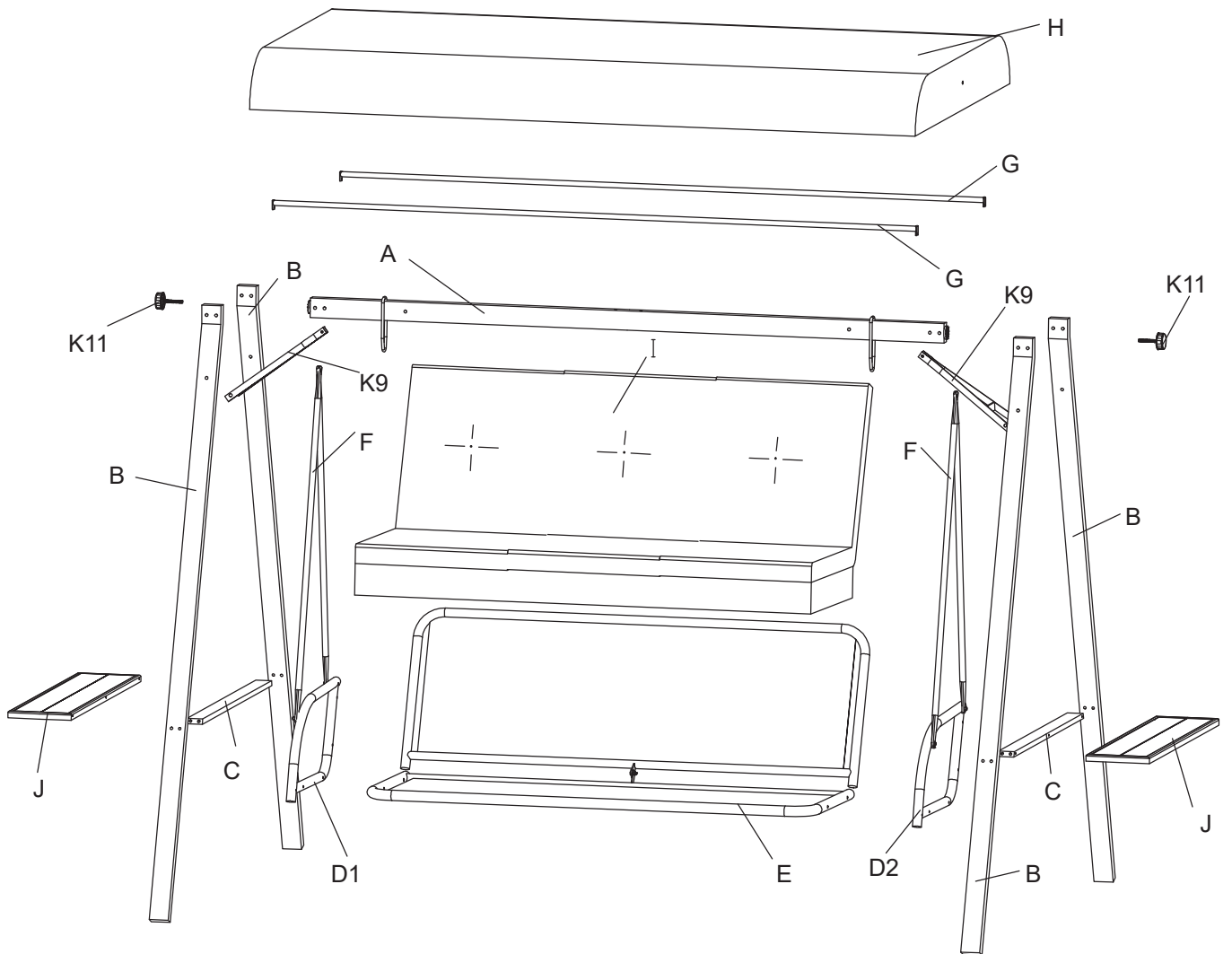
Required assembly tools (included):








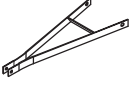





CAUTION:
 Hand tools only, use of
 power tools could damage product.

PART LIST

No.	Description	Quantity	No.	Description	Quantity
A	top frame bar	1	F	hanging bar	4
B	leg	4	G	support canopy crossbar	2
C	leg decoration	2	H	canopy	1
D1	right arm	1	I	cushion	1
D2	left arm	1	J	shelf	2
E	seat and back	1			



HARDWARE LIST

K1	4 sets + 1 spare set M6 X 18L bolt		K7	4 sets + 1 spare set M8 X 105L bolt	
K2	4 sets + 1 spare set M6 X 80L bolt		K8	6 sets + 1 spare set M6 X 25L bolt	
K3	8 sets + 1 spare set M8 X 45L bolt		K9	2 support triangles	
K4	4 sets + 1 spare set M8 X 50L bolt		K10	2 hooks	
K5	2 sets + 1 spare set M8 X 55L bolt		K11	2 black knobs	
K6	4 sets + 1 spare set M8 X 85L bolt				

TIP BEFORE YOU START

- * Ensure that all parts are present prior to assembly.
- * Check all packing material carefully before discarding, as some parts may be encased in the packing material.
- * For ease and speed of assembly, it is recommended that prior to each step all required parts are identified.
- * Ensure that you have sufficient space and people (as indicated on page 1) to assemble product safely.
- * During assembly take care not to over-tighten any fittings, as this may damage the product.

CARE AND MAINTENANCE

- * Always inspect the product during each use for any obstructions.
- * The manufacturer will not accept responsibility for unauthorized repairs or modifications to this product.
- * To clean, wash frame and fabric with mild soap and water; rinse thoroughly. Dry frame completely and allow the fabric to drip dry away from direct sunlight.
- * Do not use bleach, acid, or other solvents on the fabric or frame parts.
- * To prolong the life of your furniture we recommend storage in a dry area when not in use or during austere weather conditions.



WARNING

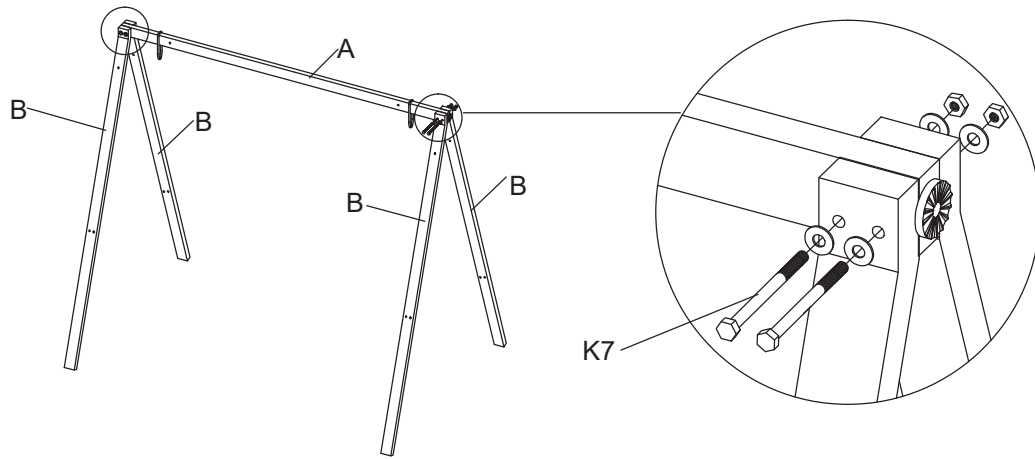
- * Annually:
 - * Check all nuts and bolts for tightness each season and more often if used frequently.
 - * Oil all metal moving parts with a general purpose lubricating oil to ensure proper performance and safety.
- * Keep children away during assembly. This item contains small parts which can be swallowed by children. Children should always be under adult supervision while using this product.
- * This product is for residential use only, not for commercial use.

WEIGHT LIMIT




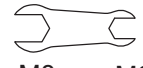

Swing: 600lb. (272kgs)

ASSEMBLY INSTRUCTIONS

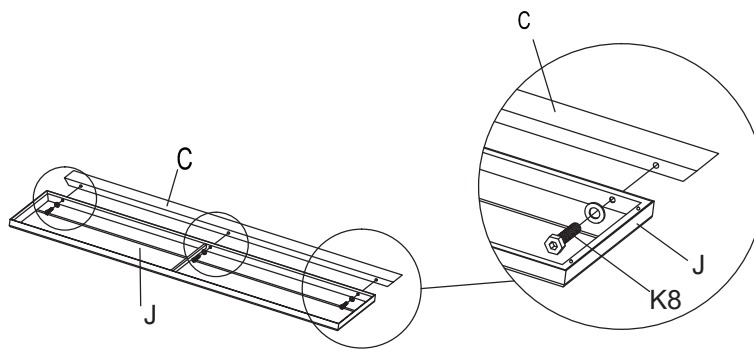
1




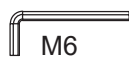
Do not tighten completely. Repeat procedure for the other side.

<p>K7 4 sets M8 X 105L bolt</p> 	 <p>M8</p>  <p>M6</p>	 <p>M8</p>  <p>M6</p>
---	--	---

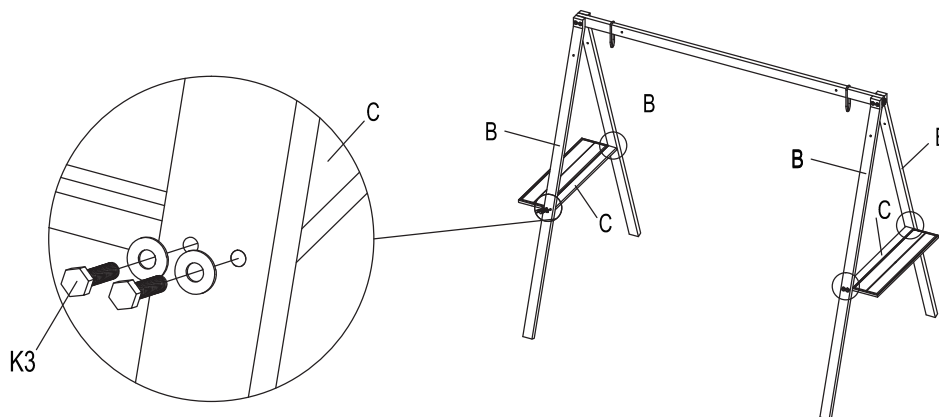
2



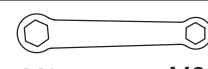


Do not tighten completely. Repeat procedure for the other holes and other pair of shelf and leg decoration.

<p>K8 6 sets M6 X 25L bolt</p> 	 <p>M6</p>
--	--

3

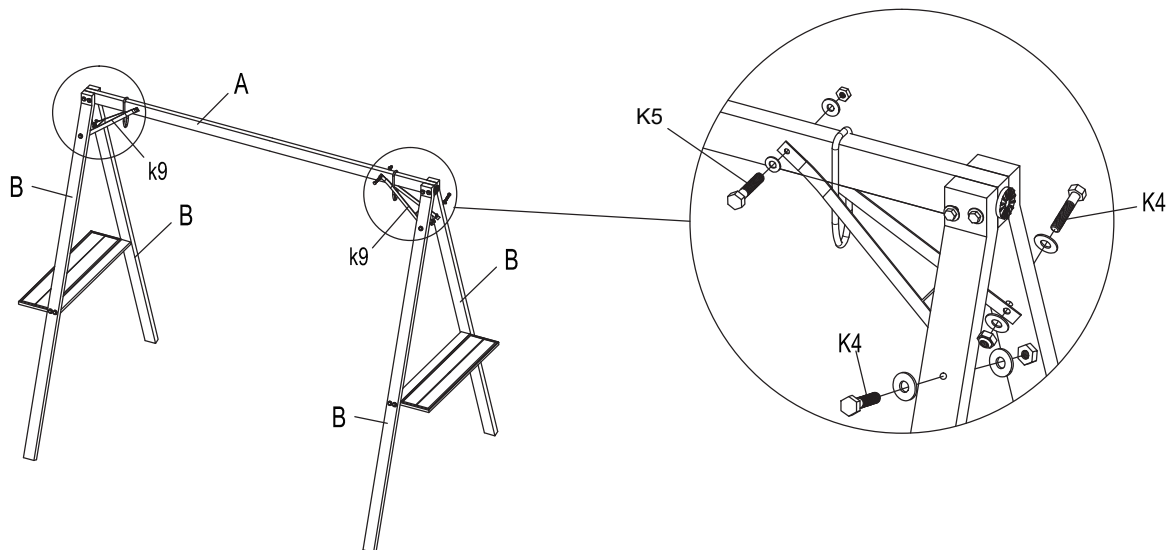


Do not tighten completely. Repeat procedure for the other side and other leg decoration.

<p>K3 8 sets M8 X 45L bolt</p> 	 <p>M8</p>  <p>M6</p>	 <p>M8</p>  <p>M6</p>
--	--	---

ASSEMBLY INSTRUCTIONS

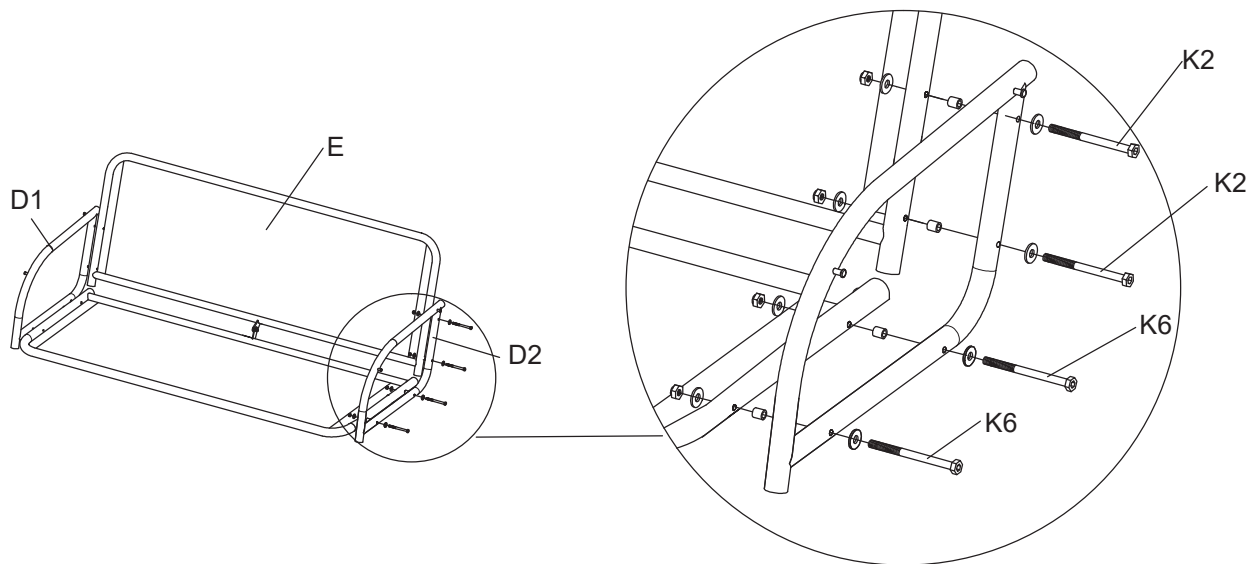
4



Do not tighten completely. Repeat procedure for the other side and other support triangle.

K4	4 sets M8 X 50L bolt			M8	M6	M8	M6
K5	2 sets M8 X 55L bolt			M8	M6	M8	M6

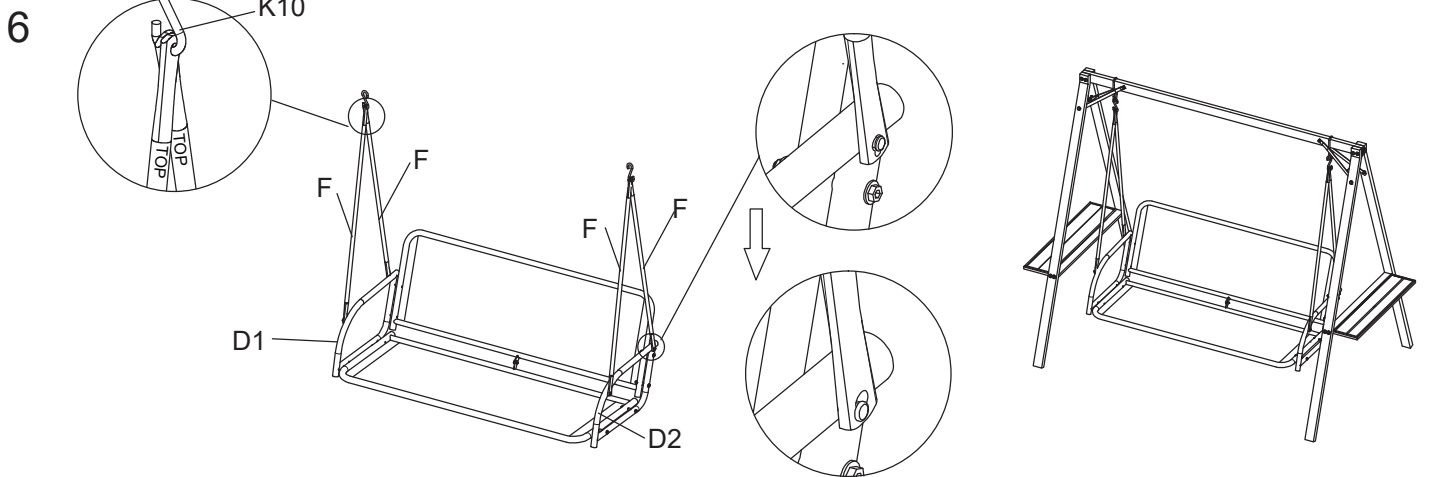
5



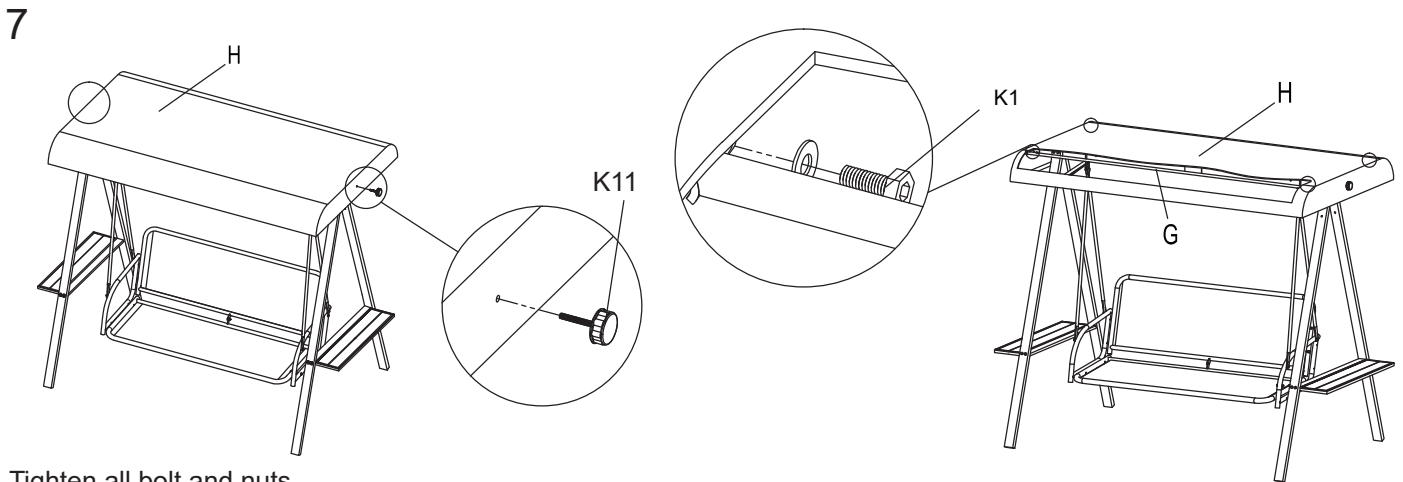
Do not tighten completely. Repeat procedure for the other side. Tighten all bolt and nuts.

K6	4 sets M8 X 85L bolt			M8	M6	M8	M6
K2	4 sets M6 X 80L bolt			M6	M8	M8	M6




ASSEMBLY INSTRUCTIONS



K10 2 hooks		
-------------	---	--



Tighten all bolt and nuts.

K11 2 black knobs		
K1 4 sets M6 X 18L bolt		 M6

