

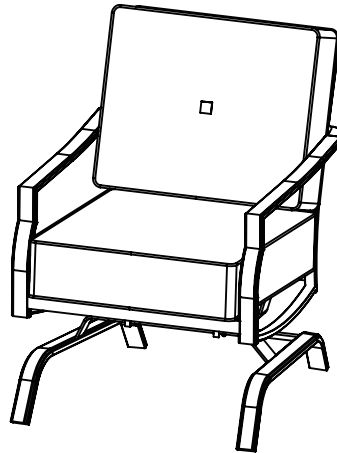
OWNER'S MANUAL

BATON ROUGE MOTION CHAIR

Vendor Item:SC-K-101SFA

SKU#124347936

Questions, problems, missing parts with this product? Please contact us at www.numarkcustomerservice.com



WARNING

- Read all instructions carefully and completely before assembly and use. Retain for future reference.
- Keep plastic bags and small parts away from children.
- DO NOT use power tools. Use only the tools provided.
- DO NOT overtighten hardware.
- Periodically check hardware and re-tighten as necessary.
- DO NOT use product if any component becomes damaged.
- For residential (non-commercial) use only.
- Max Weight Limit = 250 lb
- DO NOT stand on product. Use only for intended purpose.

Care and Maintenance

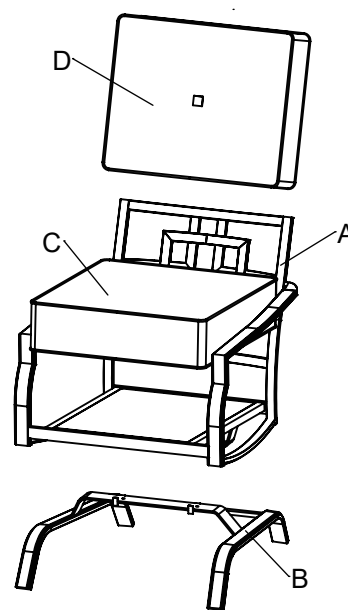
- * Always inspect the product during each use for any obstructions.
- * The manufacturer will not accept responsibility for unauthorized repairs or modifications to this product.
- * To clean, wash frame and fabric with mild soap and water; rinse thoroughly. Dry frame completely and allow the fabric to drip dry away from direct sunlight.
- * Do not use bleach, acid, or other solvents on the fabric or frame parts.
- * To prolong the life of your furniture we recommend storage in a dry area when not in use or during austere weather conditions.

Pre-Assembly

Unpack and identify all the parts. Place them on a flat, non-abrasive surface.
 Assembly by two people is recommended.
 Estimated Assembly Time: 20 minutes.

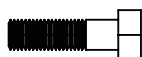
PARTS

ITEM	DESCRIPTION	QUANTITY
A	Seat and back	1
B	Base	1
C	Seat cushion	1
D	Back cushion	1



Hardware List (Hardware not shown to actual size.)

Ea (4 + 1 spare)
M8 x 30L Bolt



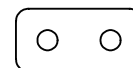
Eb (4 + 1 spare)
M8 Lock Washer



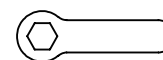
Ec (4 + 1 spare)
M8 Nut



Ed (2)
Metal Plate

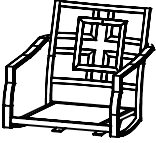




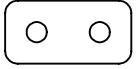


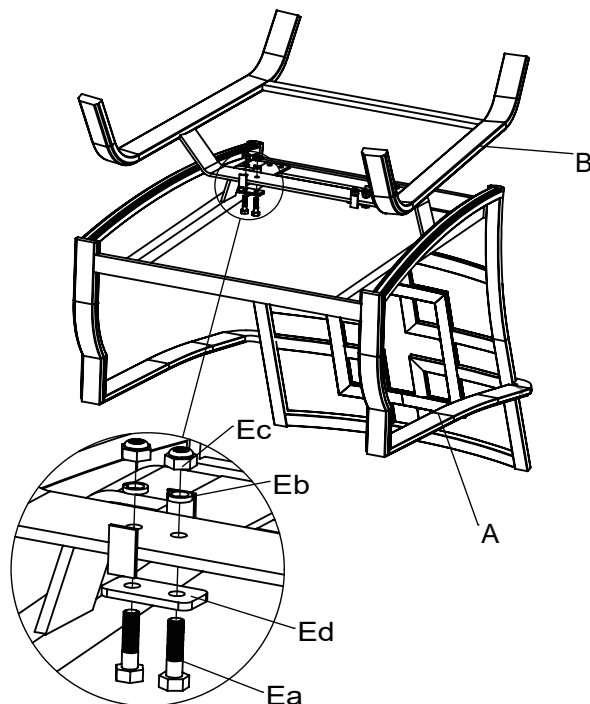
Ee (2)
Hex Wrench



Assembly Instructions

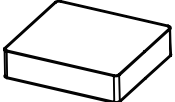
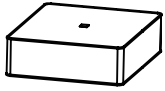
1

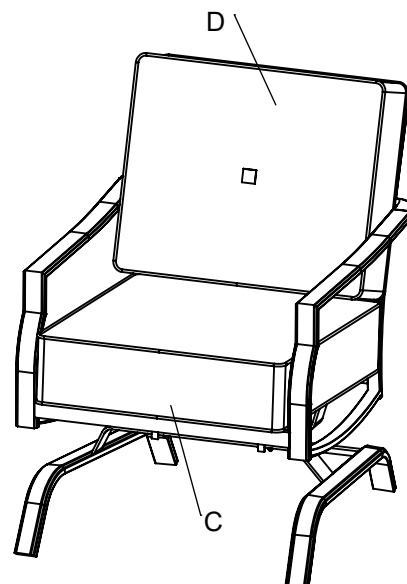
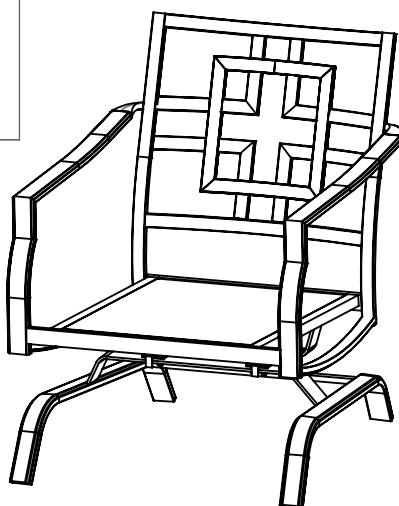
A x 1 	B x 1 
Ea x 4  M8 x 30L	Eb x 4 
Ec x 4 	Ed x 2 



- Don't tighten completely.
- Repeat procedure for the other side.

2

C x 1 	D x 1 
--	--



- Turn the chair over and securely tighten all bolts and nuts.
- Put the cushion on the frame.
- Your chair is now ready for use. Enjoy!

Printed in China