

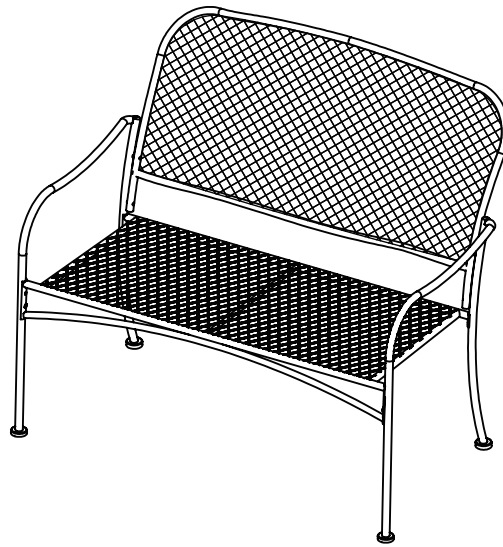
OWNER'S MANUAL

BRIGHT FUN BENCH KETCHUP

Vendor Item:S-K-140PBN1DK

SKU# 124342704

Questions, problems, missing parts with this product? Please contact us at www.numarkcustomerservice.com



WARNING

- Read all instructions carefully and completely before assembly and use. Retain for future reference.
- Keep plastic bags and small parts away from children.
- DO NOT use power tools. Use only the tools provided.
- DO NOT overtighten hardware.
- Periodically check hardware and re-tighten as necessary.
- DO NOT use product if any component becomes damaged.
- For residential (non-commercial) use only.
- Max Weight Limit = 200 lb per seating position, 400 lb total
- DO NOT stand on product. Use only for intended purpose.

Care and Maintenance

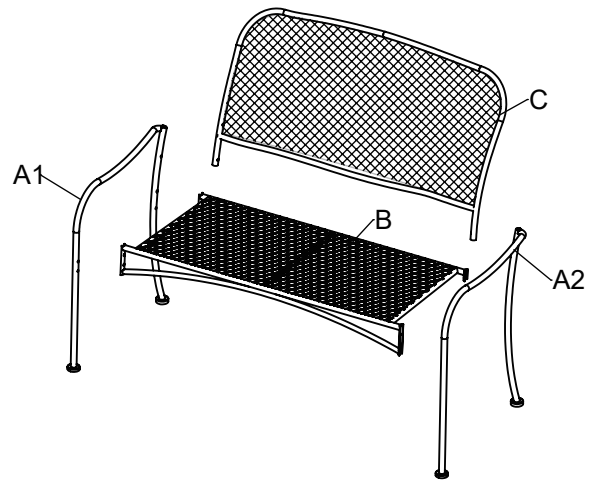
- * Always inspect the product during each use for any obstructions.
- * The manufacturer will not accept responsibility for unauthorized repairs or modifications to this product.
- * To clean, wash frame with mild soap and water; rinse thoroughly. Dry frame completely.
- * Do not use bleach, acid, or other solvents on the frame parts.
- * To prolong the life of your furniture we recommend storage in a dry area when not in use or during austere weather conditions.

Pre-Assembly

Unpack and identify all the parts. Place them on a flat, non-abrasive surface.
 Assembly by two people is recommended.
 Estimated Assembly Time: 20 minutes.

PARTS

ITEM	DESCRIPTION	QUANTITY
A1	Right arm	1
A2	Left arm	1
B	Seat	1
C	Back	1



Hardware List (Hardware not shown to actual size.)

Da (6 + 1 spare)
 M6 x 20L sunk screw



Dc (1)
 Allen wrench



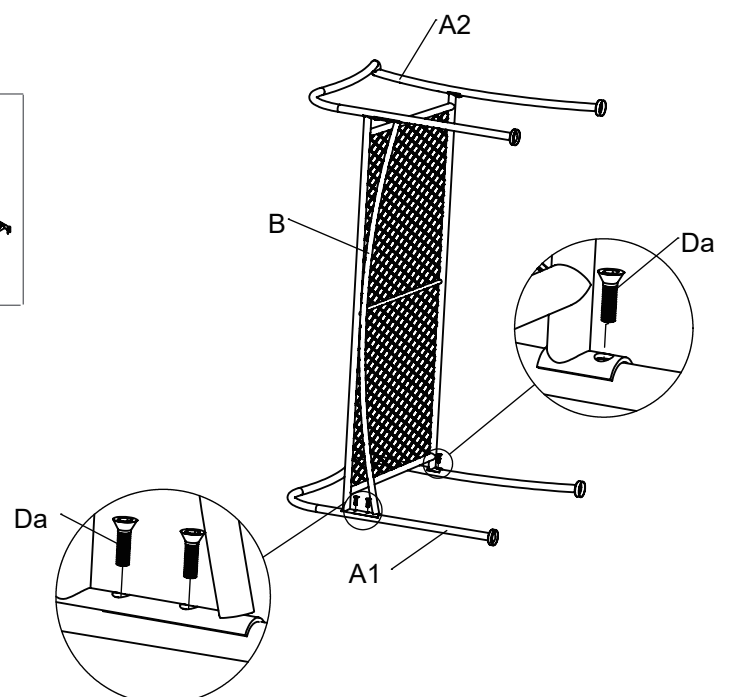
Db (4 + 1 spare)
 M6 x 30L sunk screw



Assembly Instructions

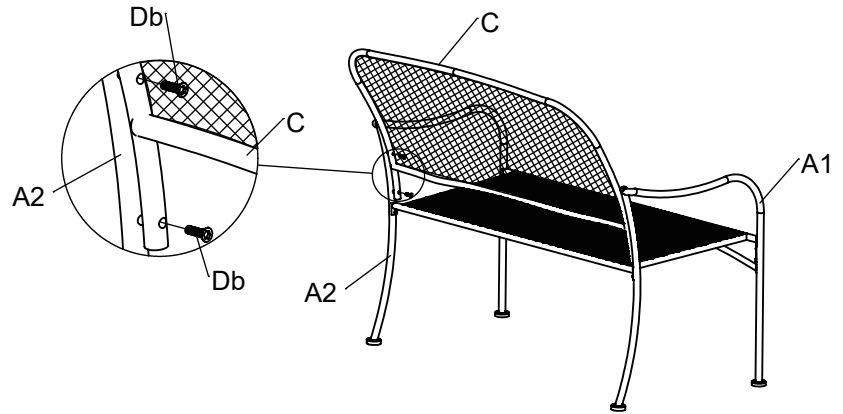
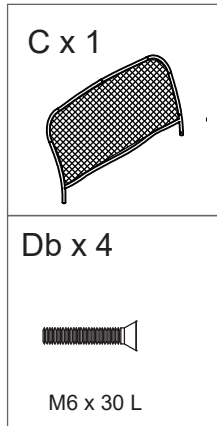
1

<p>A1 x 1</p> <p>Right</p>	<p>A2 x 1</p> <p>Left</p>	<p>B x 1</p>
<p>Da x 6</p> <p>M6 x 20 L</p>		



- Don't tighten completely.
- Repeat procedure for the other arm.

2



- Don't tighten completely.
- Repeat procedure for the other side.
- Once all screws are in place, securely tighten all screws.

Printed in China