

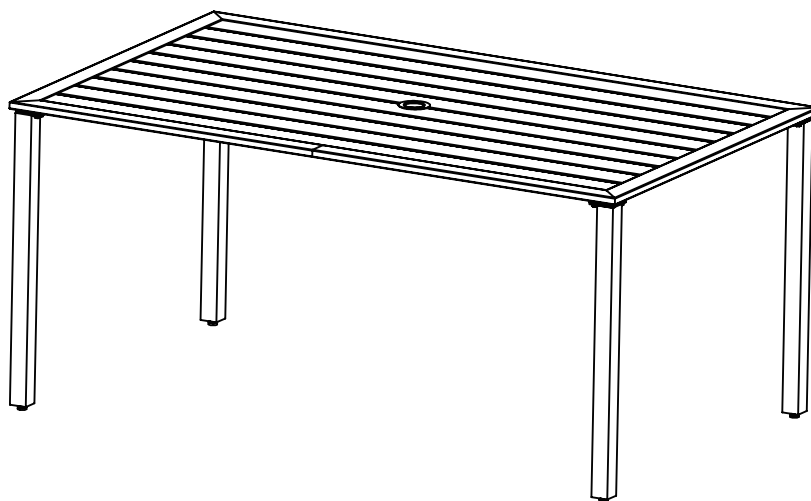
# OWNER'S MANUAL

## GRAMMERCY RECTANGLE DINING TABLE

Vendor Item:SS-K-629NTW

SKU#:124342653

Questions, problems, missing parts with this product? Please contact us at [www.numarkcustomerservice.com](http://www.numarkcustomerservice.com)



### WARNING

- Read all instructions carefully and completely before assembly and use. Retain for future reference.
- Keep plastic bags and small parts away from children.
- DO NOT use power tools. Use only the tools provided.
- DO NOT overtighten hardware.
- Periodically check hardware and re-tighten as necessary.
- DO NOT use product if any component becomes damaged.
- For residential (non-commercial) use only.
- Max Weight Limit = 100 lb
- DO NOT sit or stand on product. Use only for intended purpose.

### Care and Maintenance

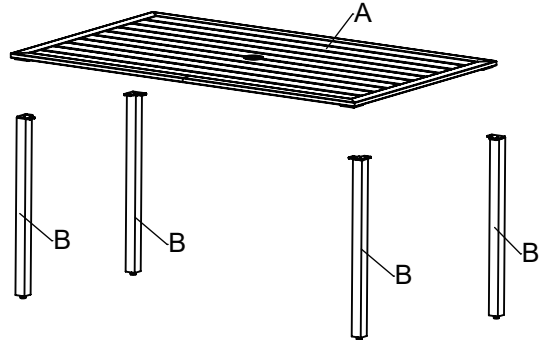
- \* Always inspect the product during each use for any obstructions.
- \* The manufacturer will not accept responsibility for unauthorized repairs or modifications to this product.
- \* To clean, wash frame with mild soap and water; rinse thoroughly. Dry frame completely.
- \* Do not use bleach, acid, or other solvents on the frame parts.
- \* To prolong the life of your furniture we recommend storage in a dry area when not in use or during austere weather conditions.

# Pre-Assembly

Unpack and identify all the parts. Place them on a flat, non-abrasive surface.  
 Assembly by two people is recommended.  
 Estimated Assembly Time: 20 minutes.

## PARTS

ITEM	DESCRIPTION	QUANTITY
A	Table top (16 pieces M6 x 15L Bolts & 16 pieces M6 Metal Washers pre-installed)	1
B	Metal Legs	4



## Hardware List (Hardware not shown to actual size.)

Ca (16 pre-installed on Table Top (A) + 2 spares)  
 M6 x 15L Bolt



Cb (16 pre-installed on Table Top (A) + 2 spares)  
 M6 Metal Washer

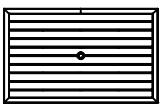





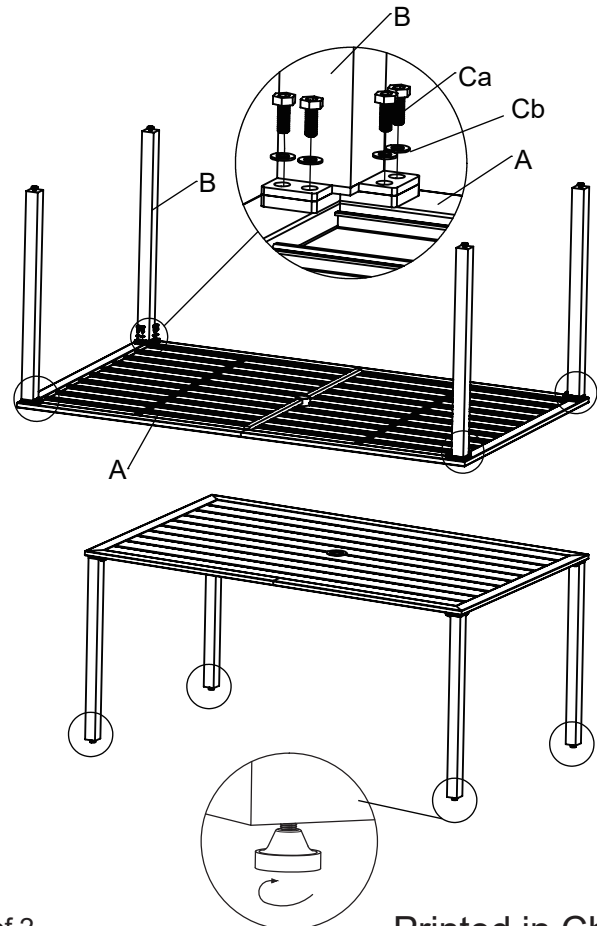
Cc (1)  
 Allen wrench



## Assembly Instructions

1

A x 1 	B x 4 
Ca x 16 remove from the table top  M6 x 15L	Cb x 16 remove from the table top 



- Repeat procedure for the other three legs.
- Securely tighten all bolts.
- Adjust foot levelers to compensate for uneven ground.
- Your table is now ready for use. Enjoy!