

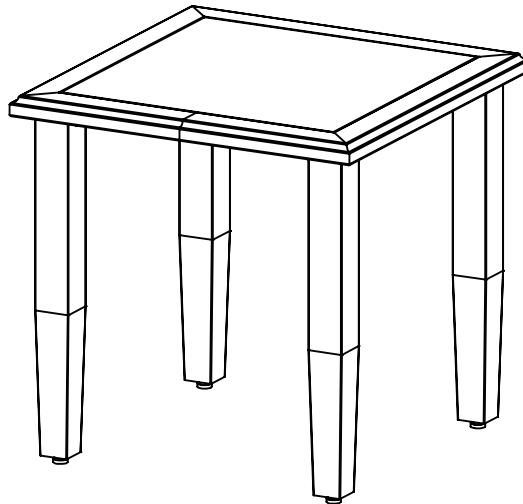
OWNER'S MANUAL

BATON ROUGE CHAT SIDE TABLE

Vendor Item:SC-K-101ET

SKU#124342650

Questions, problems, missing parts with this product? Please contact us at www.numarkcustomerservice.com



WARNING

- Read all instructions carefully and completely before assembly and use. Retain for future reference.
- Keep plastic bags and small parts away from children.
- DO NOT use power tools. Use only the tools provided.
- DO NOT overtighten hardware.
- Periodically check hardware and re-tighten as necessary.
- DO NOT use product if any component becomes damaged.
- For residential (non-commercial) use only.
- Max Weight Limit = 50 lb
- DO NOT sit or stand on product. Use only for intended purpose.

Care and Maintenance

- * Always inspect the product during each use for any obstructions.
- * The manufacturer will not accept responsibility for unauthorized repairs or modifications to this product.
- * To clean, wash frame with mild soap and water; rinse thoroughly. Dry frame completely.
- * Do not use bleach, acid, or other solvents on the frame parts.
- * To prolong the life of your furniture we recommend storage in a dry area when not in use or during austere weather conditions.

Pre-Assembly

Unpack and identify all the parts. Place them on a flat, non-abrasive surface.

Assembly by two people is recommended.

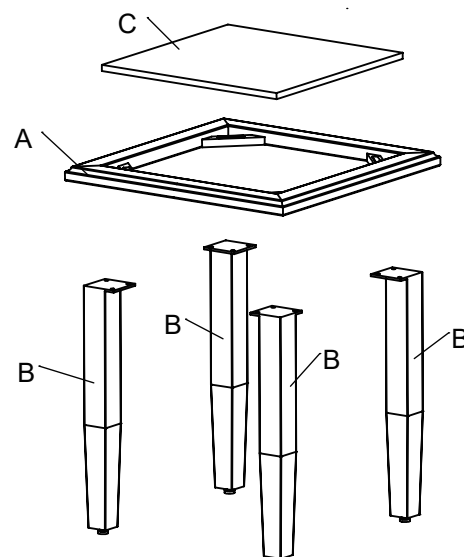
Estimated Assembly Time: 20 minutes.

PARTS

ITEM	DESCRIPTION	QUANTITY
A	Table top (12 pieces M6 x 20L bolts & 12 pieces M6 metal washers & 4 pieces tile bumpers attached)	1

B	Metal leg	4
---	-----------	---

C	Ceramic Tile	1
---	--------------	---



Hardware List

Da (12 pre-installed on Table Top (A) + 1 spare)

M6 x 20L Bolt



Db (12 pre-installed on Table Top (A) + 1 spare)

M6 Metal Washer



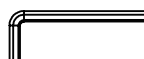
Dc (4 attached on Table Top (A) + 1 spare)

Tile Bumper



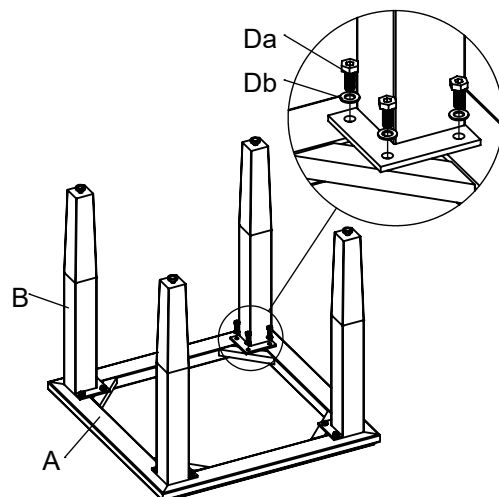
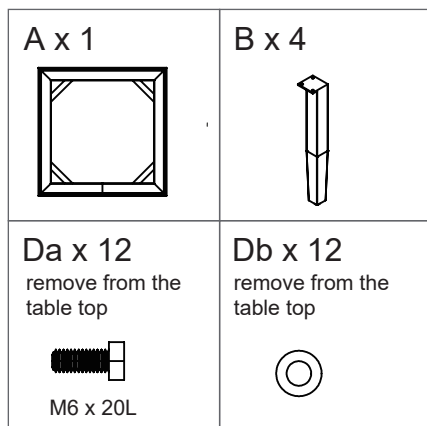
Dd (1)

Allen wrench



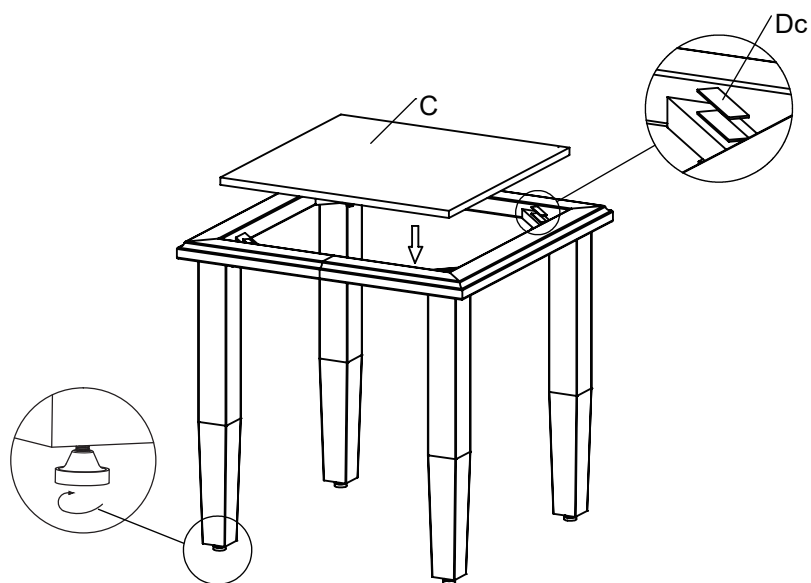
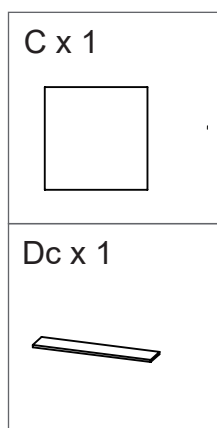
ASSEMBLY INSTRUCTIONS

1



- Repeat procedure for the other legs.
- Securely tighten all bolts and turn over the table.

2



- Place tile into the table rim.
- Use tile bumper (Dc) included in the hardware bag to adjust the tabletop level if needed.
- Adjust the table level by twisting the knobs under the bottom of the table legs.
- Your table is now ready for use. Enjoy!

Printed in China