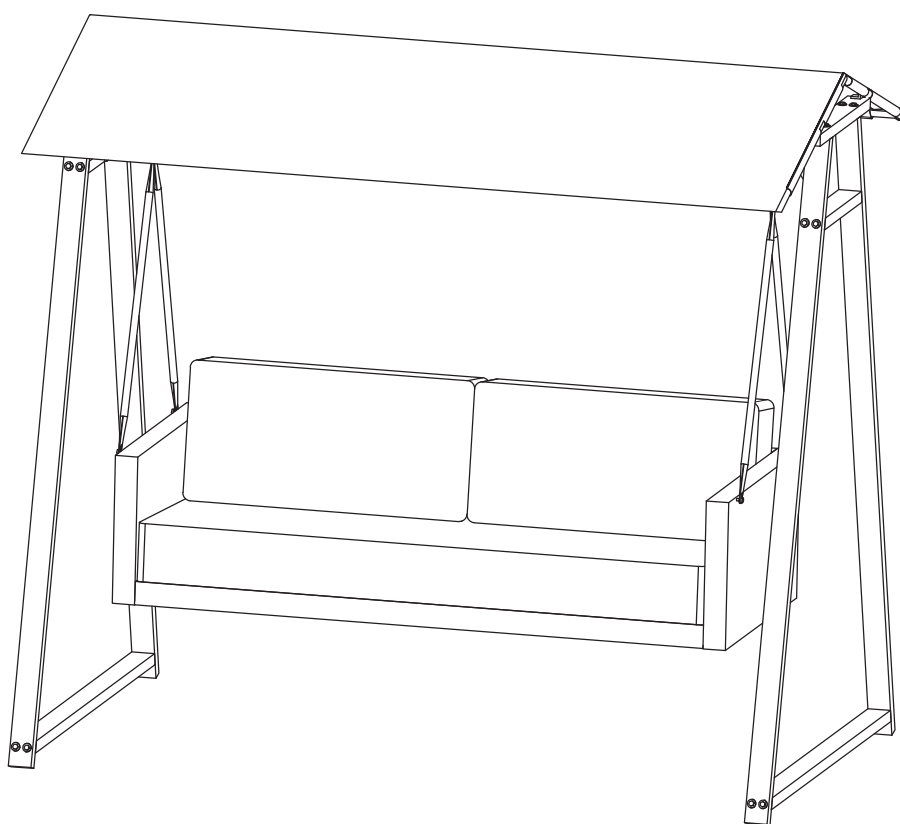


CANVAS^{TM/MC}

HIGHFIELD BALANCELLE

PRODUCT NO. 088-2299-0



ASSEMBLY INSTRUCTIONS



HAVING TROUBLE?

TOLL-FREE:

1-888-670-6684

IMPORTANT: Please read this manual carefully before beginning assembly of this product. Keep this manual for future reference.

CANVAS^{TM/MC}

INSPIRED BY CANADA



We believe in the power of décor and its ability to make up the fabric of your home.

That's why **CANVAS**[®] collections draw **inspiration from Canadians and the way they live.**

From on-trend furniture pieces to holiday décor and all your outdoor living essentials, **CANVAS**[®] makes it easy to refresh your space to reflect **your unique style and the way you live every day.**

We would love to hear from you and welcome your thoughtful feedback. Visit our website at **canadiantire.ca** to tell us about your experience, and share your photos with us using **#mycanvasstyle.**

Show us how you bring **CANVAS**[®] products to life. We can't wait to see!

TABLE OF CONTENTS

Parts List.....	4
Step-by-step Guide.....	6
Caring for Your Item.....	13
Warranty.....	13



WARNING! TO REDUCE THE RISK OF SERIOUS INJURY, READ THE FOLLOWING SAFETY INSTRUCTIONS BEFORE ASSEMBLING AND USING THE PRODUCT.

- Do not exceed the maximum load capacity 275 kg.
- Please read and understand this entire manual before attempting to assemble, operate, or install the product.
- Any assembly or maintenance of the product must be carried out by adults only.
- Some parts may contain sharp edges. Wear protective gloves if necessary.
- To prevent damage, place all parts on a level surface during assembly. Add a layer of protective surface if needed.
- Due to the nature of steel, surface oxidation (rusting) will occur if this protective coating is scratched. This is a natural process. To minimize this condition, it is recommended that care be taken when assembling and handling the product in order to prevent the paint from being scratched.

TOOLS REQUIRED



Allen Wrench










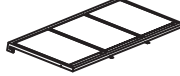

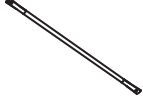



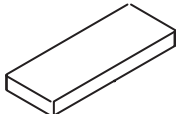

Hex Wrench



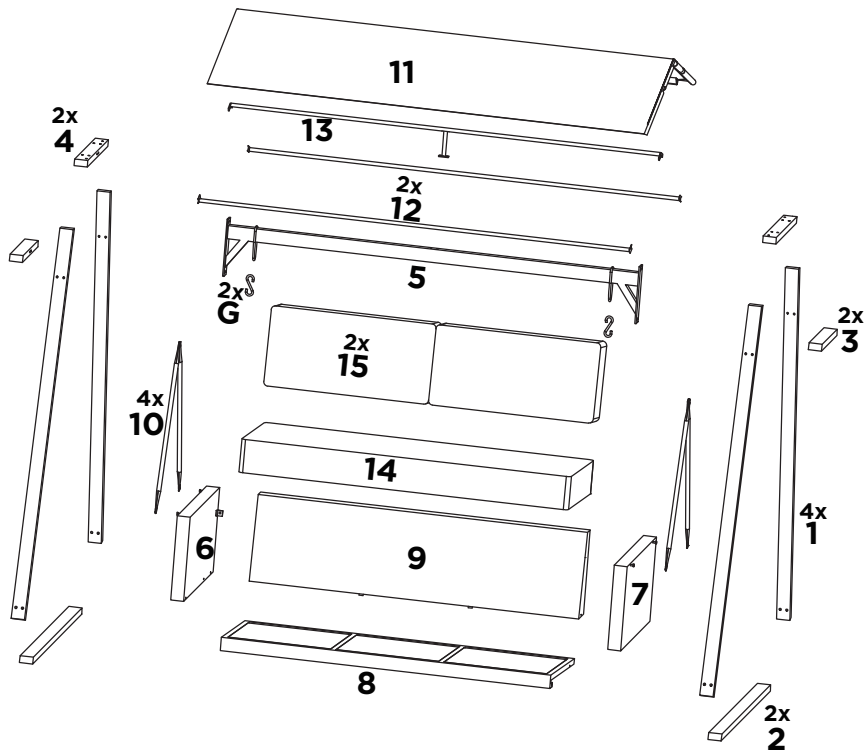
3 people

Not shown at actual size




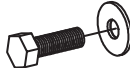





PARTS LIST

ITEM	DESCRIPTION	THUMBNAIL	QUANTITY
1	Metal leg		4
2	Lower Connection Bar		2
3	Top Connection Bar		2
4	Top Support Bar		2
5	Top crossbar		1
6	Right Arm		1
7	Left Arm		1
8	Seat		1
9	Back		1
10	Hanging bar		4
11	Canopy		2
12	Canopy crossbar		2
13	Middle Canopy crossbar		1
14	Cushion		1
15	Back cushion		2

EXPLODED PARTS



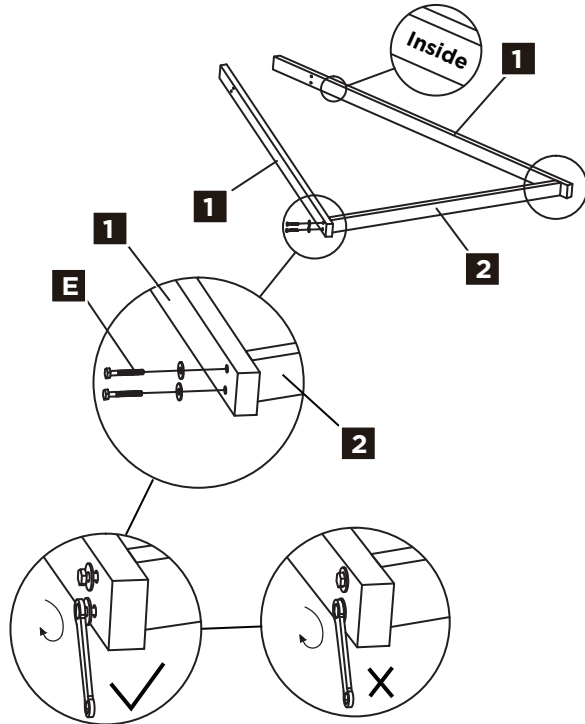
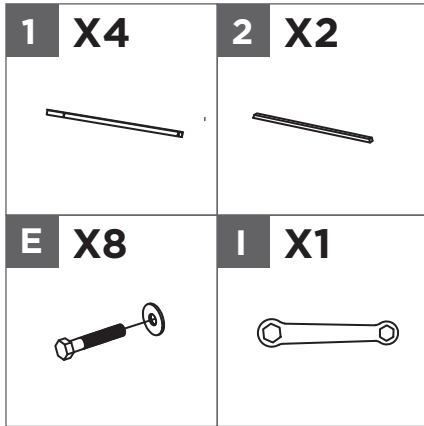
HARDWARE LIST

ITEM	DESCRIPTION	THUMBNAIL	QUANTITY
A	Bolt with washer M6X18		18 + 1 Spare
B	Bolt with washer M6X36		2
C	Bolt with washer M6X45		2
D	Bolt with washer M8X25		8 + 1 Spare
E	Bolt with washer M8X45		24 + 1 Spare
F	Bolt with washer M6X25		2
G	"S" hook		2
H	Allen wrench		1
I	Hex wrench		1

STEP-BY-STEP GUIDE

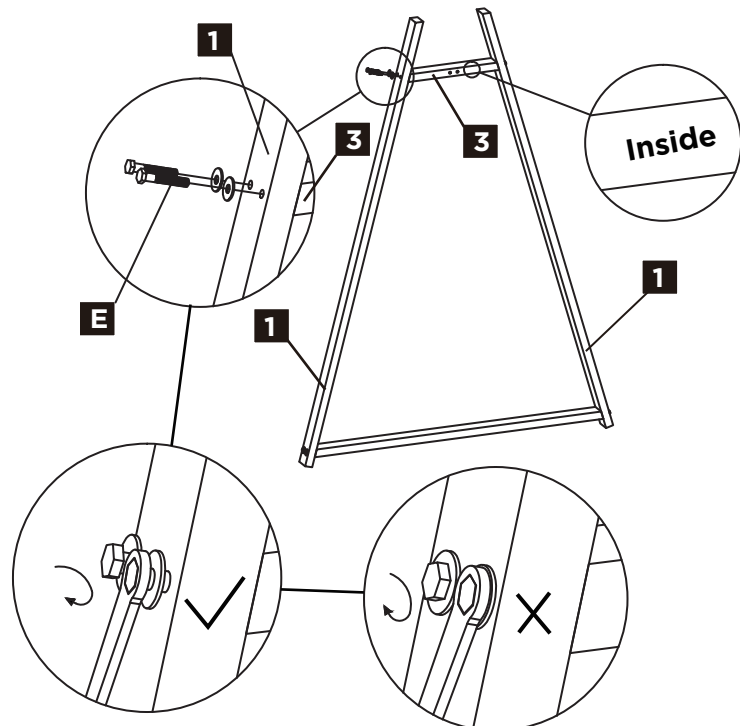
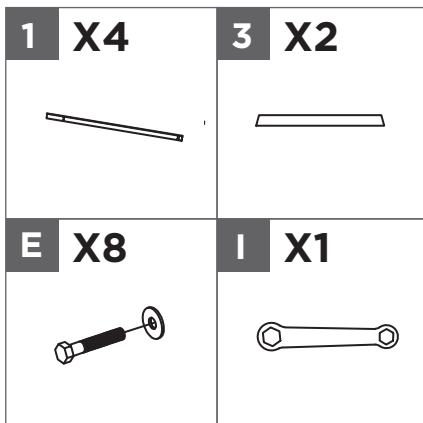
STEP 1

Attach the lower connection bar **2** to the metal leg **1** using the bolt **E** with washer, and aligning the holes. **Do not tighten completely.** Repeat procedure for the other connection bar and metal legs. Note: The side with “inside” label should be facing the inside of the metal leg **1**.



STEP 2

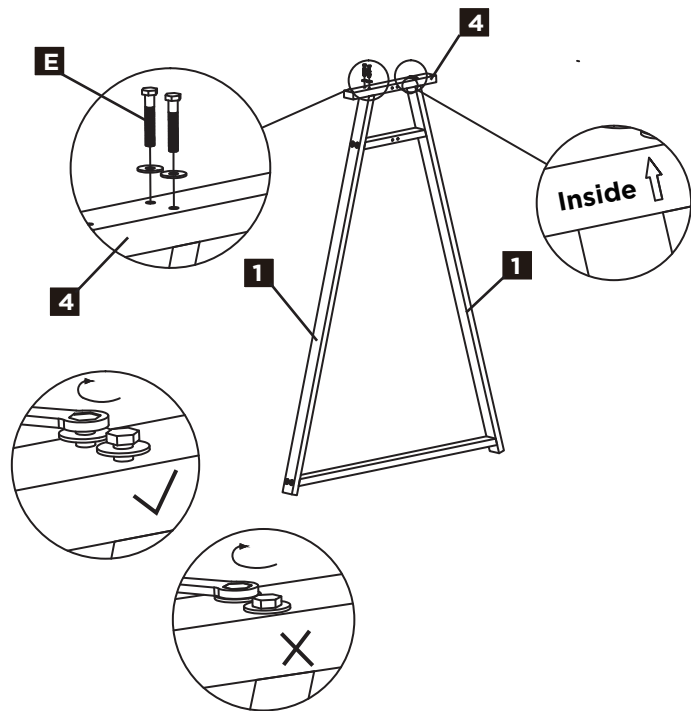
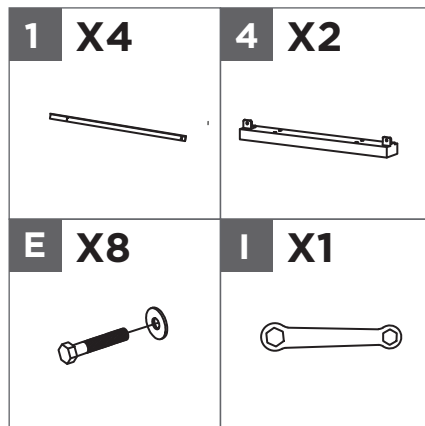
Attach the top connection bar **3** to the metal leg **1** using the bolt **E** with washer, and aligning the holes. **Do not tighten completely.** Repeat procedure for the other connection bar. Note: The side with “inside” label should be facing the inside of the top connection bar **3**.



STEP-BY-STEP GUIDE

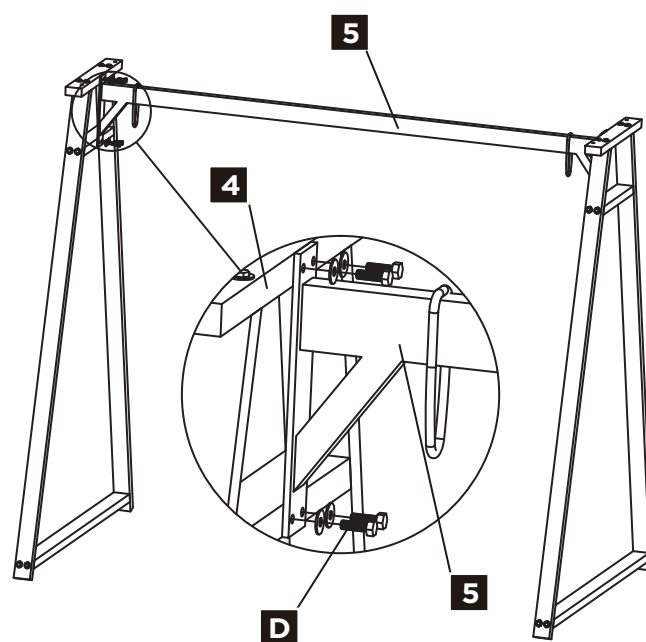
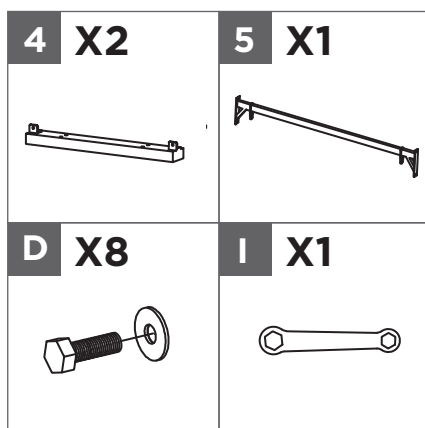
STEP 3

Attach the top support bar **4** to the metal leg **1** using the bolt **E** with washer, and aligning the holes. **Do not tighten completely.** Repeat procedure for the other top support bar. Note: The side with “inside” label should be facing the inside of the top support bar **4**. Make sure the arrow “↑” is pointing up.



STEP 4

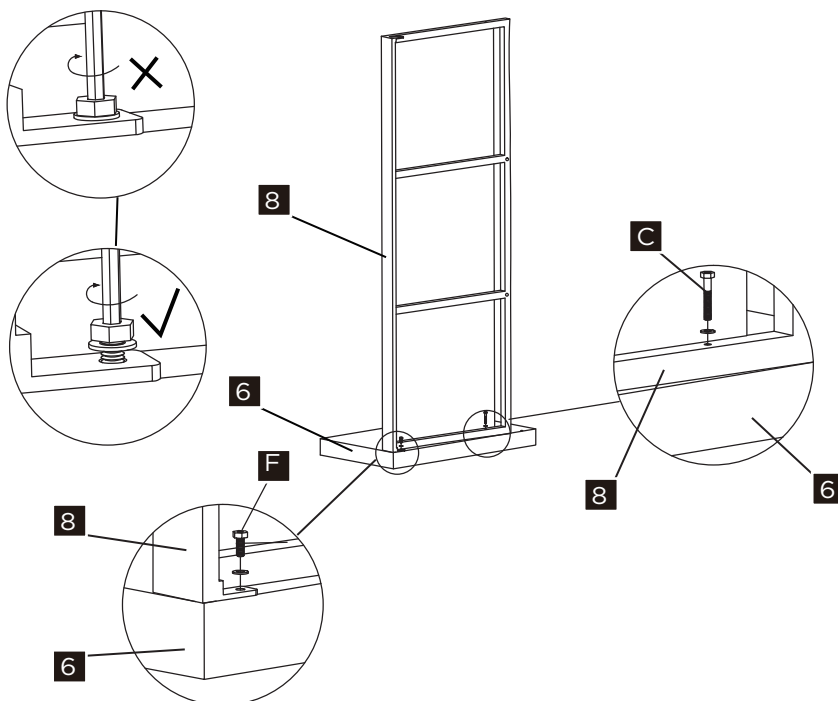
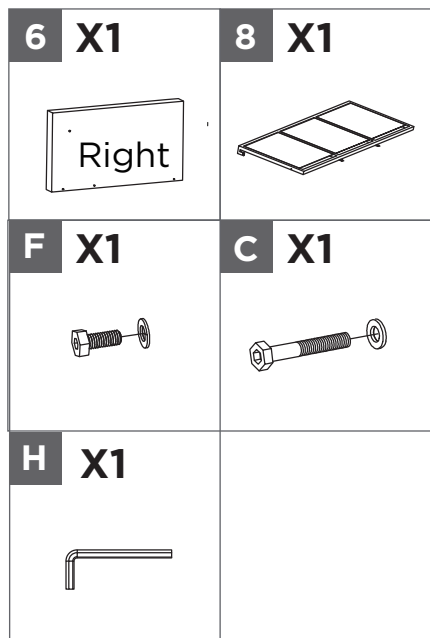
Attach the top crossbar **5** to the top support bar **4** using the bolt **D** with washer, and aligning the holes. Repeat procedure for the other side. When assembled, securely tighten all bolts with the hex wrench **I** for steps 1-4.



STEP-BY-STEP GUIDE

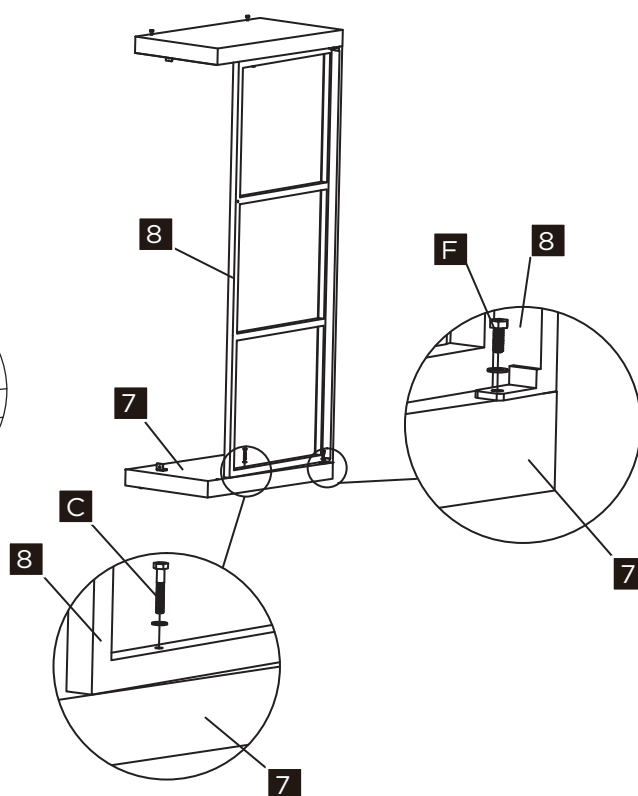
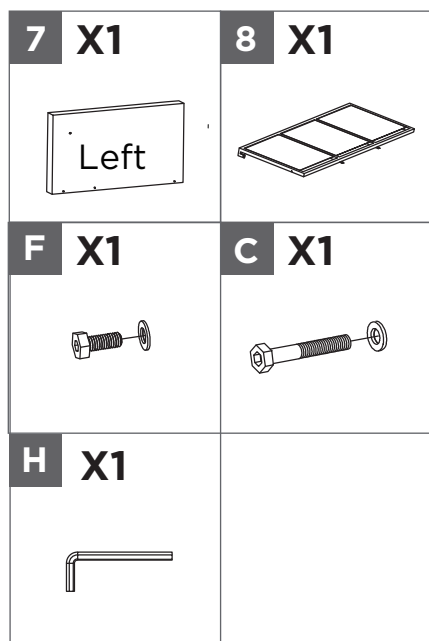
STEP 5

Attach the right arm **6** to the seat **8** using the bolt **F** with washer, bolt **C** with washer and aligning the holes. **Do not tighten completely.**



STEP 6


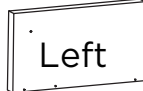
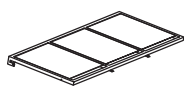

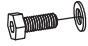


Attach the left arm **7** to the seat **8** using the bolt **F** with washer, bolt **C** with washer and aligning the holes. **Do not tighten completely.**

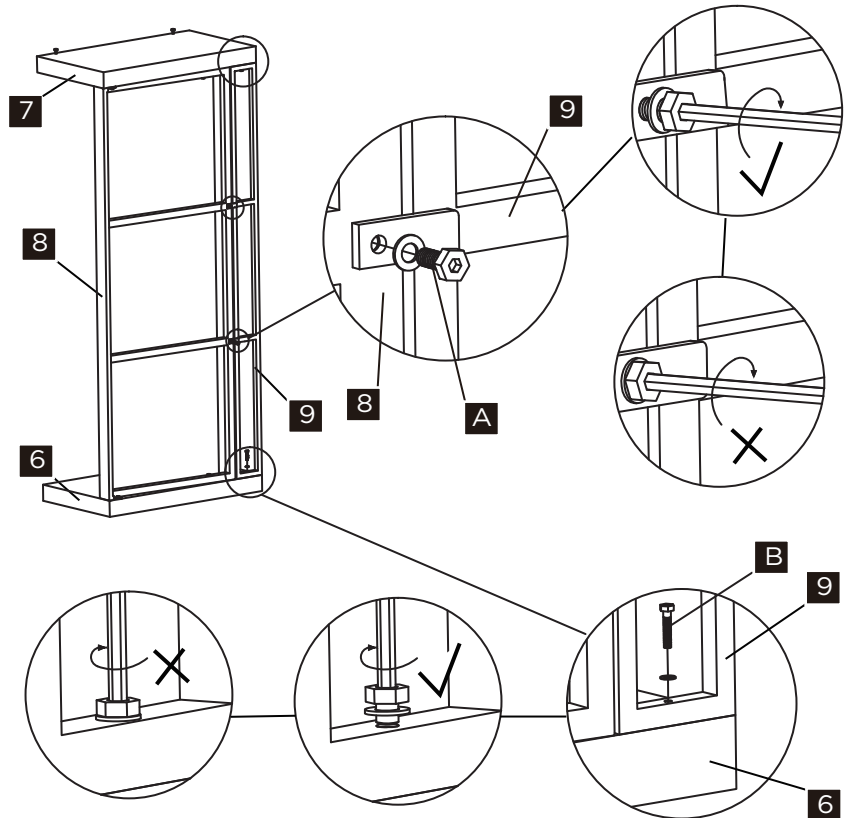


STEP-BY-STEP GUIDE

STEP 7

First attach the back **9** to the assembled frame **6 & 7 & 8**, using the bolt **B** with washer and secure it into the right arm **6**. Second, using the bolt **A** with washer secure it into the seat **8**. Repeat procedure for the other side. **Do not tighten completely.**


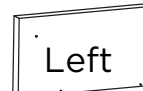



6 X1 Right 	7 X1 Left 
8 X1 	9 X1 
A X2 	B X2 
H X1 	

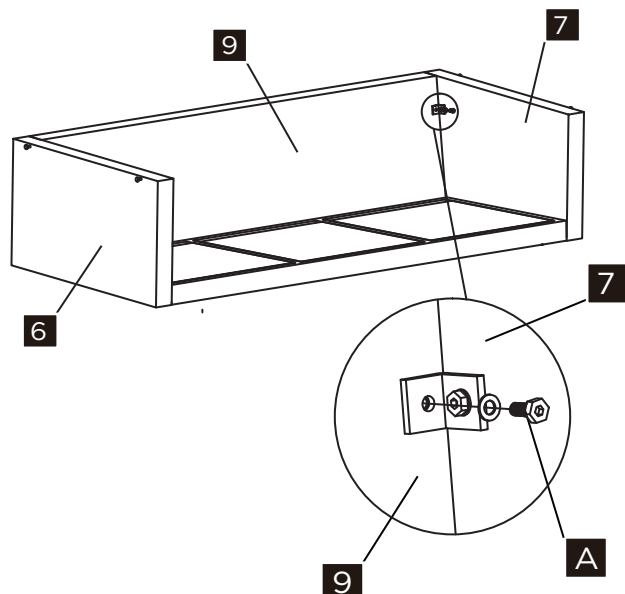


STEP 8

Using the bolt **A** with washer secure it into the back **9**. Do not tighten completely. Repeat procedure for the other side.

When assembled, securely tighten all bolts with the allen wrench **G** for steps 5 - 8.


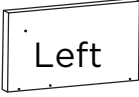


6 X1 Right 	7 X1 Left 
9 X1 	A X2 
H X1 	

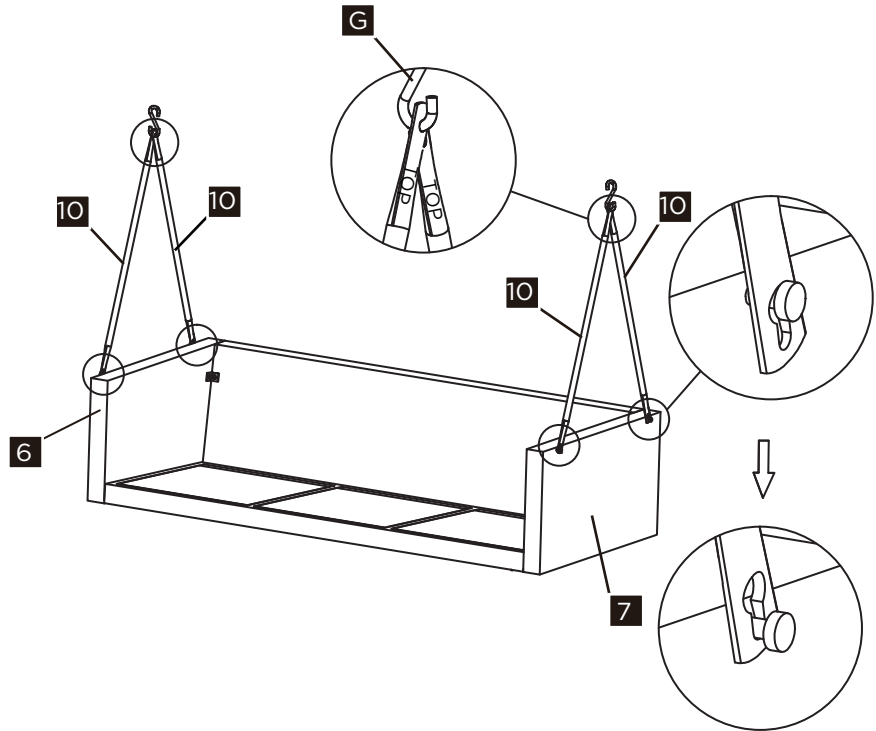


STEP-BY-STEP GUIDE

STEP 9



Hook the hanging bars **10** into “S” hook. Note: the side with “TOP” label should be facing the “S” hook. The other end of hanging bars should fit into the pins at the ends of each arm. Repeat procedure for the other remaining two hanging bars.

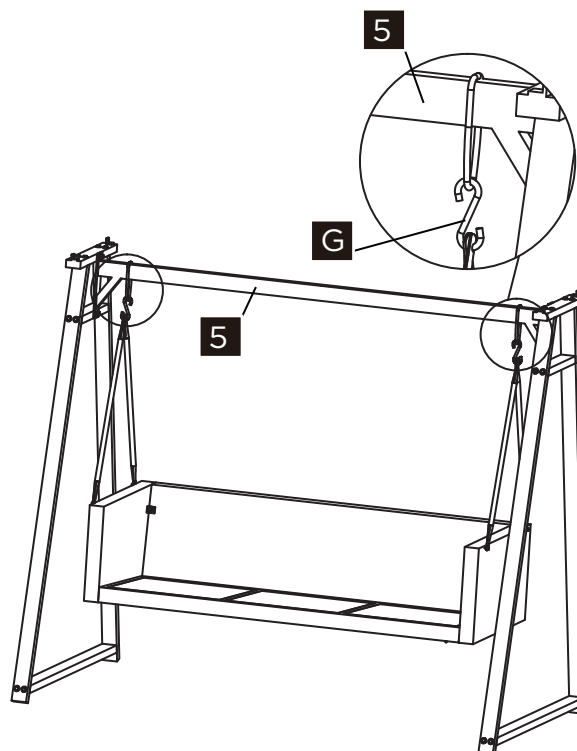
6 X1  Right	7 X1  Left
10 X4 	G X2 



STEP 10

Hang the assembled body on the top crossbars **5**.

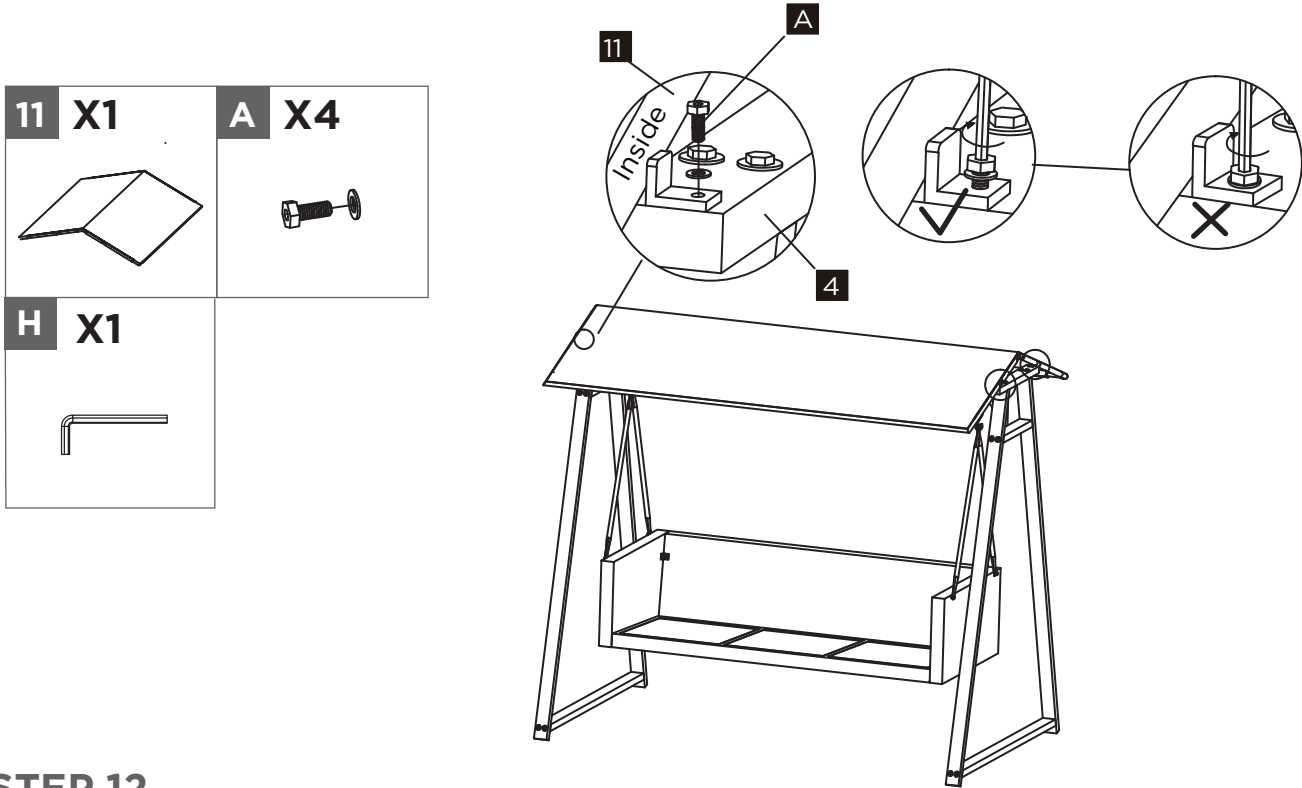
5 X1 	G X2 
--	--



STEP-BY-STEP GUIDE

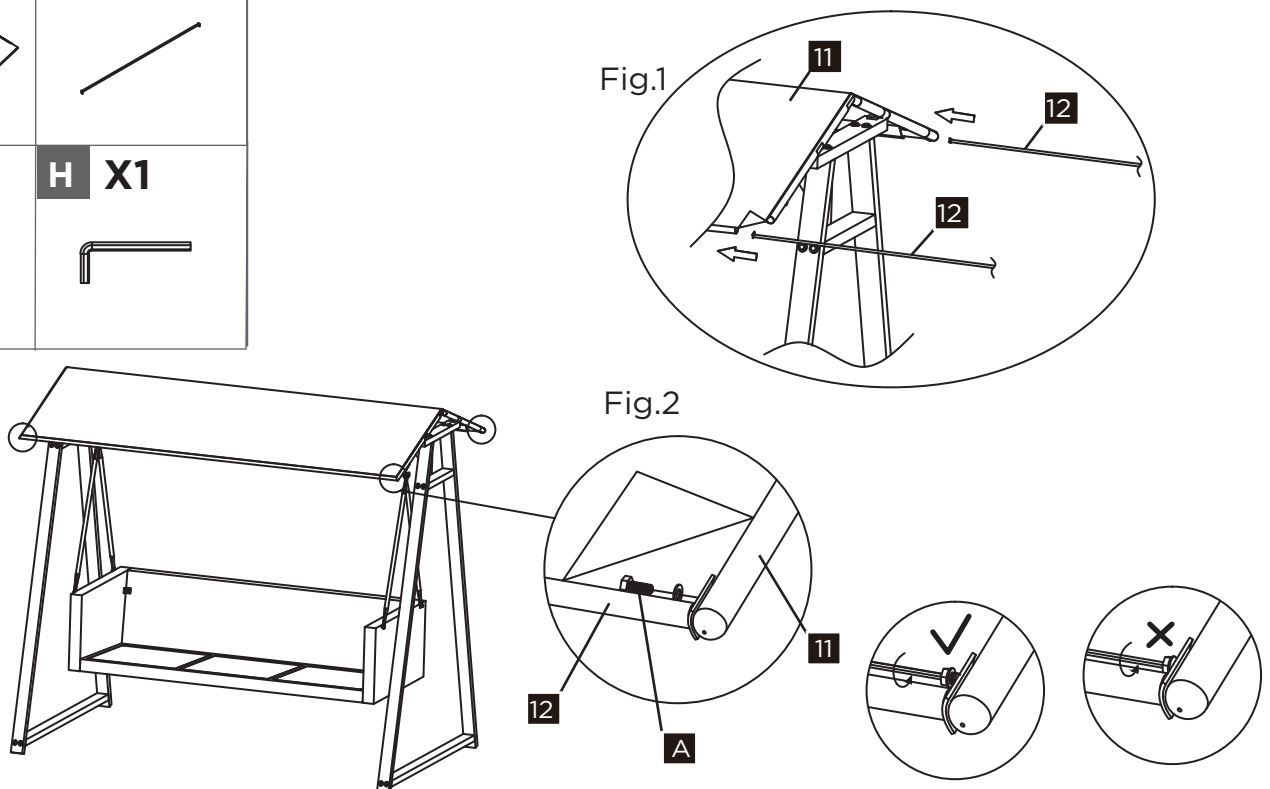
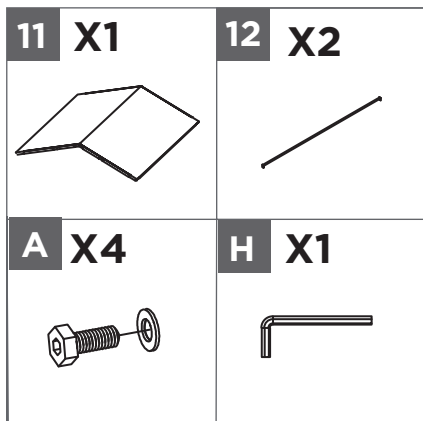
STEP 11

Attach the canopy **11** using the bolt **A** with washer secure it into the top support bar **4**. Note: The side with "inside" label should be facing the inside for canopy **11**. Repeat procedure for the other side. **Do not tighten completely.**



STEP 12

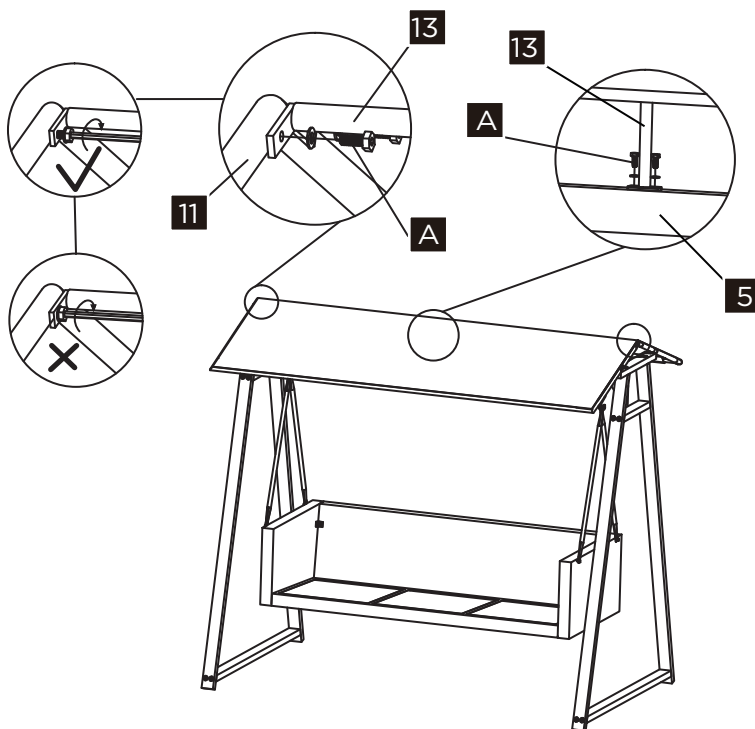
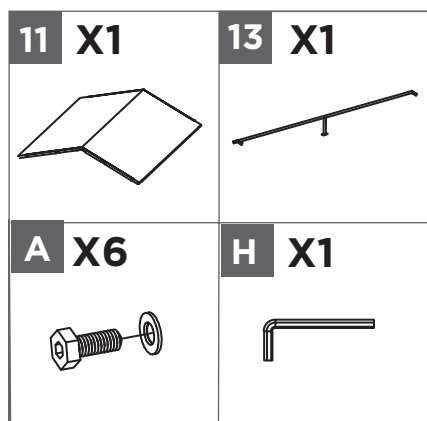
First attach the canopy crossbar bar **12** by inserting into the canopy **11**. See Fig.1. Second using the bolt **A** with washer secure it into the canopy **12**. **Do not tighten completely.** Repeat procedure for the other side and other canopy crossbar **12**. See Fig.2.



STEP-BY-STEP GUIDE

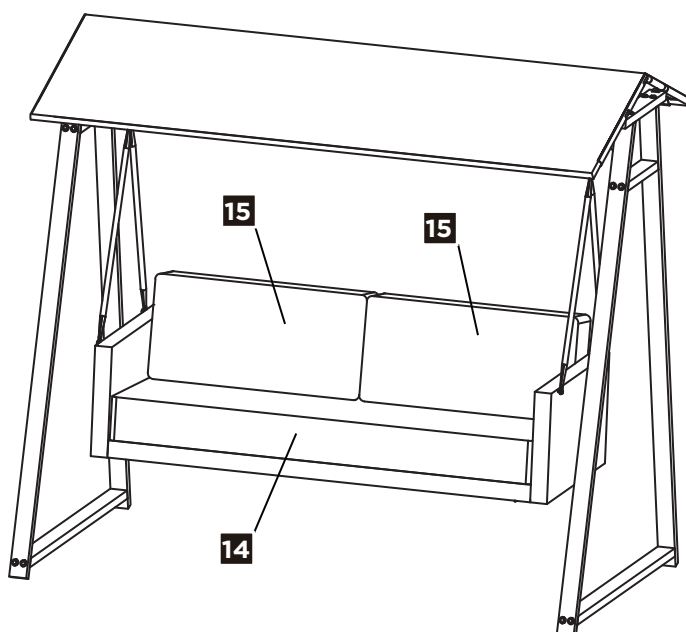
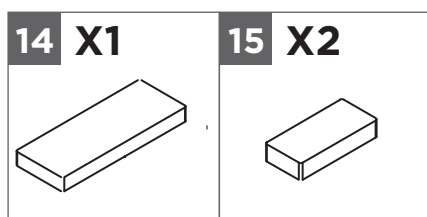
STEP 13

First, using the bolt **A** with washer secure it into the canopy **11**. **Do not tighten completely.** Repeat procedure for the other side. Second, attach canopy support bar **13** to the assembled canopy by insert a bolt **A** with metal washer and secure it into the top crossbar **5**. **Do not tighten completely.** Repeat procedure for the other side. When assembled, securely tighten all bolts with the allen wrench **H** for steps 11 - 13.



STEP 14

Put the seat cushion **14** and back cushion **15** on the seat and back. Your swing is now ready for use. Enjoy!



CARING FOR YOUR ITEM

1

Always keep children under close supervision while they are using or around this product. Never leave children unattended.

2

This product is intended for outdoor use only.

3

Do not light any fires below or near the product.

4

Check all nuts and bolts periodically for tightness. When required, tighten them again.

5

We recommend the use of furniture covers when not in use.

FURNITURE CLEANING: Wash frame with mild soap and water, rinse thoroughly, and dry completely. Do not use bleach, acid, or other solvents on the frame.

- The cushion may be washed on the surface only by using mild soap and water or commercial foaming upholstery cleaner if necessary. If washed, rinse well and hang to dry. Do not machine wash or dry.

OFF SEASON: Clean and dry before storing in a dry, sheltered area.

WARRANTY INFORMATION



1-YEAR LIMITED WARRANTY*

This CANVAS™ product carries a one (1) year warranty against defects in workmanship and materials. Trileaf Distribution agrees to replace the defective product free of charge within the stated warranty period, when returned by the original purchaser with proof of purchase. This product is not guaranteed against wear or breakage due to misuse and/or abuse.

PRODUCT NO. 088-2299-0

Made in China

Imported by Trileaf Distribution Trifeuil Toronto, Canada M4S 2B8

CANVAS ^{TM/MC}

INSPIRED BY CANADA

